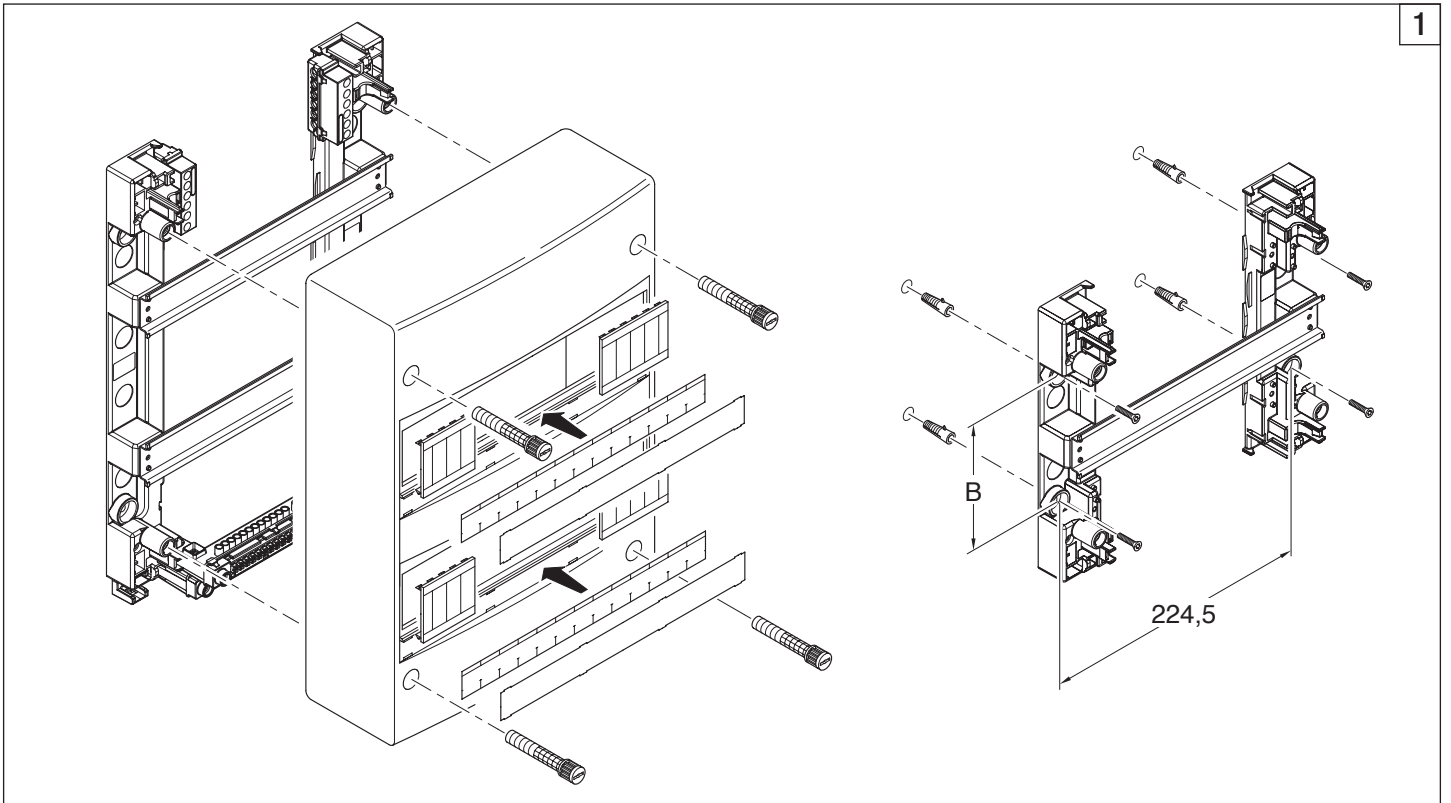


	13DIN	26DIN	39DIN	52DIN
	<b>GW 40 501</b> 250x225x93,5 13M	<b>GW 40 502</b> 250x350x93,5 26M	<b>GW 40 503</b> 250x475x93,5 39M	<b>GW 40 504</b> 250x600x93,5 52M
	<b>GW 40 516</b> 250x225x50	<b>GW 40 517</b> 250x350x50	<b>GW 40 518</b> 250x475x50	<b>GW 40 519</b> 250x600x50
	<b>GW 40 531</b> 250x225x34	<b>GW 40 532</b> 250x350x34	<b>GW 40 533</b> 250x475x34	<b>GW 40 534</b> 250x600x34
	<b>GW 40 536</b> 250x225x34	<b>GW 40 537</b> 250x350x34	<b>GW 40 538</b> 250x475x34	<b>GW 40 539</b> 250x600x34
	<b>GW 40 526</b> 156x216x2	<b>GW 40 527</b> 156x341x2	<b>GW 40 528</b> 156x466x2	<b>GW 40 529</b> 156x591x2
	<b>GW 40 511</b> 250x225x40			
	<b>GW 40 512</b> 250x225x55			
	<b>GW 40 513</b> 250x225x40			
	<b>GW 40 414</b> 250x225x55			

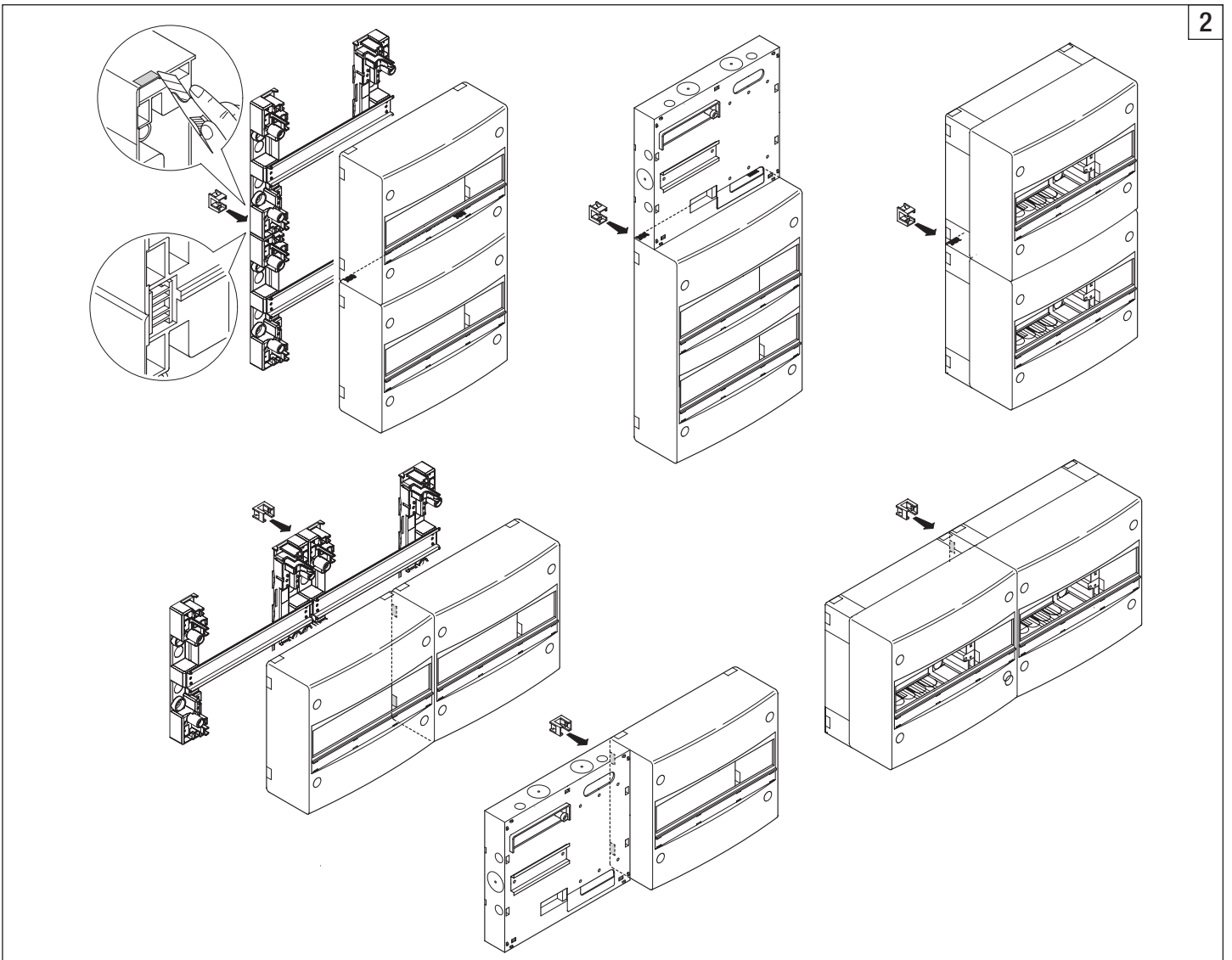
	<b>GW 40 541</b> 250x225x83,5		<b>GW 40 546</b>
	<b>GW 40 542</b> 250x225x83,5		<b>GW 40 422</b>
	<b>GW 40 506</b> 250x225x112		<b>GW 40 591</b> <b>GW 40 592</b>
	<b>GW 40 530</b> 244x219x2		<b>GW 40 593</b> <b>GW 40 594</b>



1

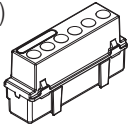


2



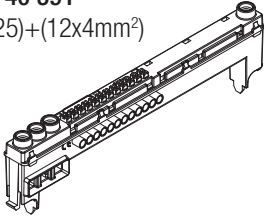


**GW 40 593**  
(1x35)+(5x25mm<sup>2</sup>)

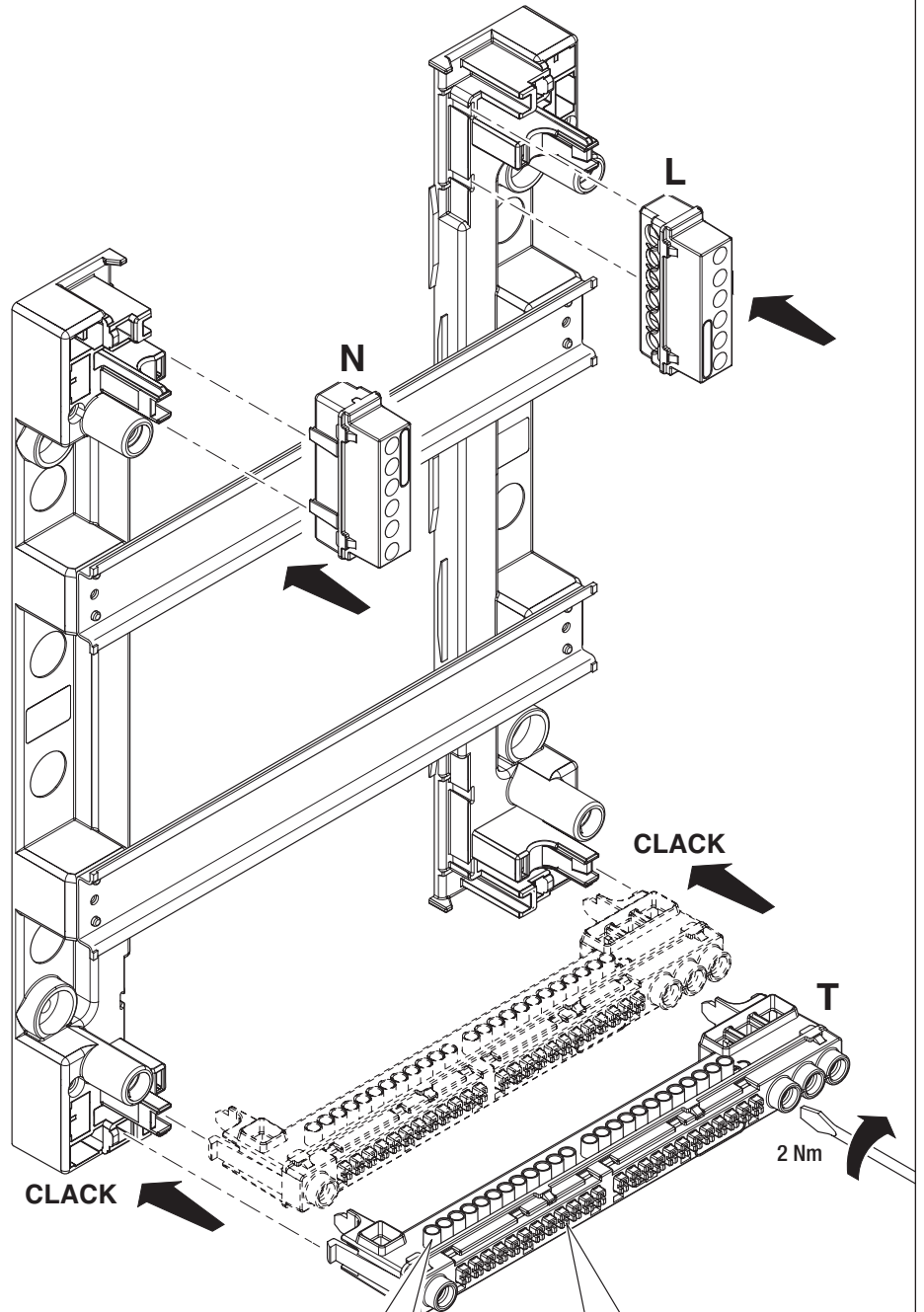
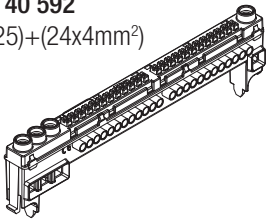


**GW 40 594**  
(1x35)+(5x25mm<sup>2</sup>)

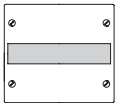
**GW 40 591**  
(3x25)+(12x4mm<sup>2</sup>)



**GW 40 592**  
(4x25)+(24x4mm<sup>2</sup>)



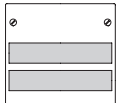
**GW 40 501**



13M

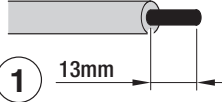
T (3x25)+(12x4mm<sup>2</sup>)

**GW 40 502**

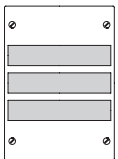


26M

T (4x25)+(24x4mm<sup>2</sup>)  
N (1x35)+(5x25mm<sup>2</sup>)  
L (1x35)+(5x25mm<sup>2</sup>)



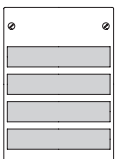
**GW 40 503**



39M

T (7x25)+(36x4mm<sup>2</sup>)  
N (1x35)+(5x25mm<sup>2</sup>)  
L (1x35)+(5x25mm<sup>2</sup>)

**GW 40 504**



52M

T (8x25)+(48x4mm<sup>2</sup>)  
N (1x35)+(5x25mm<sup>2</sup>)  
L (1x35)+(5x25mm<sup>2</sup>)

