

Product Data Sheet

GW10572AAB

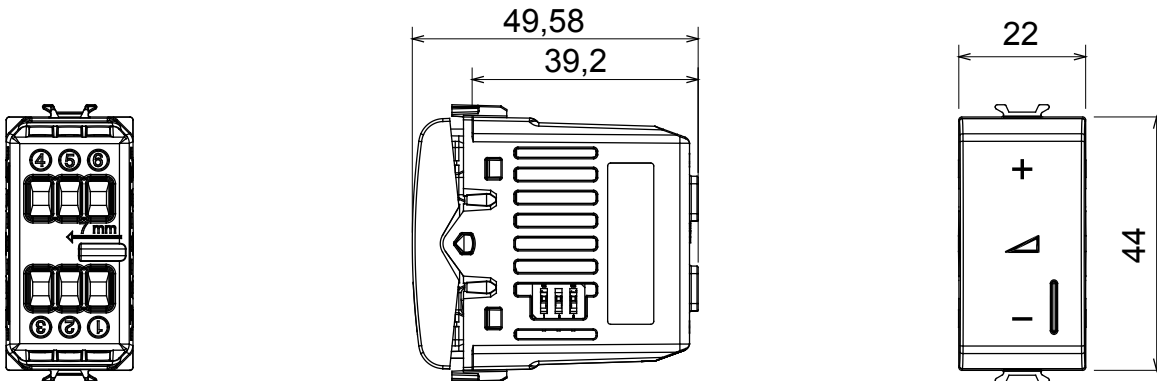
CHORUSMART - Domestic range



A range of ChoruSmart modular devices and plates made of antibacterial technopolymer in a glossy white finish, suitable for use in hospitals, nursing homes, schools and wherever cleanness and hygiene are essential. The effective silver-ion antibacterial treatment can reduce bacterial growth by 99% within 24 hours and has been verified by certified laboratory testing in accordance with standard ISO 22196 (analysis of major strains of Staphylococcus aureus and E. coli bacterial species).

| | | | |
|---|----------------------------|--|---------------------------|
| Category | Dimmers | Colour | Glossy white |
| Wiring terminals | With screw | Standard | ISO 22196 |
| Supply voltage | 230V ac - 50/60 Hz | Terminal tightening capacity stranded cables (mm ²) | Max. 1,5 |
| Terminal tightening capacity solid cables (mm ²) | Max. 2,5 | No. modules | 1 |
| 230V incandescent/halogen lamps | 40 ÷ 300W | 230V LED lamps | 5 ÷ 150W (max 10 lamps) |
| Halogen lamps 12Vac with winding transf. | 40 ÷ 300W | LED lamps 12Vac with electronic transf. | 40 ÷ 300W (max 2 transf.) |
| LED colour | Orange | Electrocod | 0781 |
| Material | Antibacterial tecnopolymer | | |

DIMENSIONAL



STANDARDS/APPROVALS

