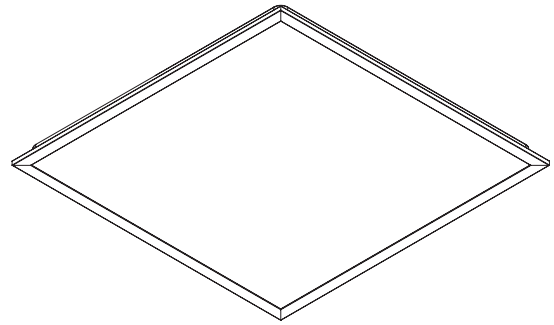


LED Slim Panel Basic G2

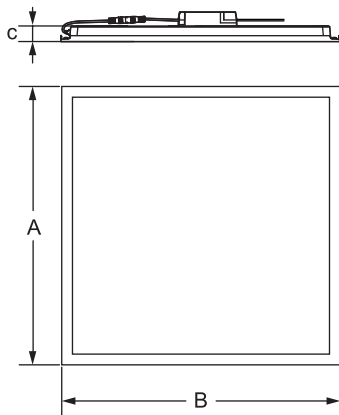
| Item Code | CCT | kg |
|-----------|-----|----|
|-----------|-----|----|

| | | |
|--------------|-------|-------|
| 542003021100 | 3000K | 1.6Kg |
| 542003021300 | 4000K | 1.6Kg |
| 542003021500 | 4000K | 1.8Kg |
| 542003021200 | 3000K | 1.7Kg |
| 542003021400 | 4000K | 1.7Kg |
| 542003021600 | 4000K | 1.9Kg |



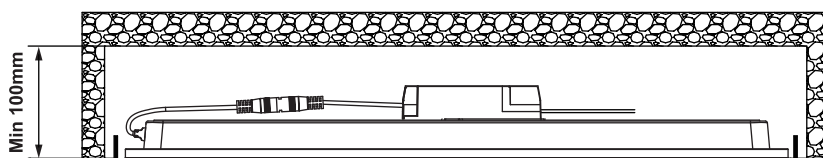
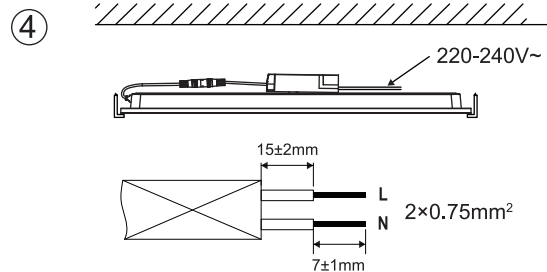
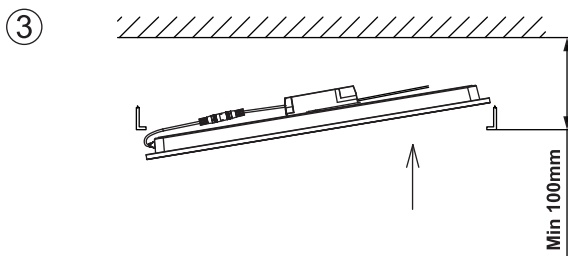
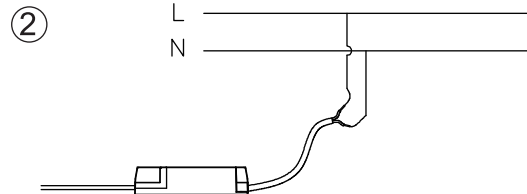
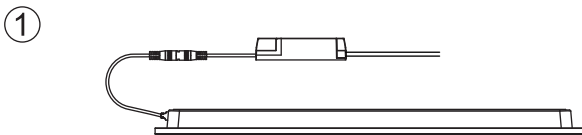
*Suspension kit and mounting springs to be purchased separately.

| | | |
|--------------|---------------------------|--------|
| 542003021700 | LED PL-RC-S-B2 SP-KIT | 0.25kg |
| 542003021800 | LED PL-RC-S-B2 MT-SPRINGS | 0.1kg |



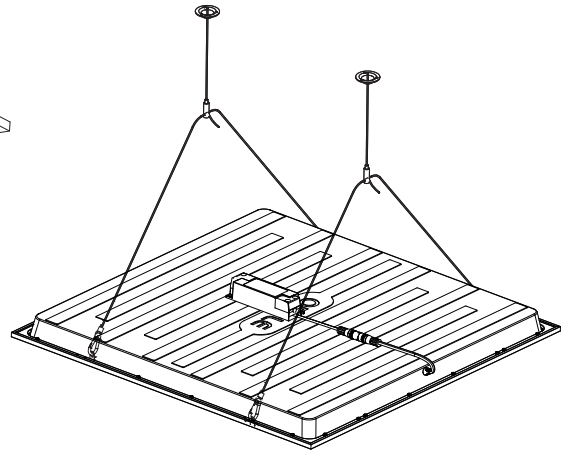
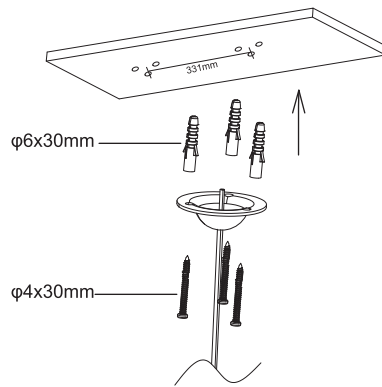
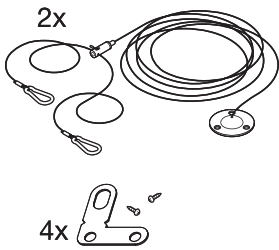
| Model Name | A (mm) | B (mm) | C (mm) | Rated Voltage | Frequency | Rated Power |
|------------------------------|--------|--------|--------|---------------|-----------|-------------|
| LED PL-RC-S-B2 SQ595-36W | 595 | 595 | 35 | 220-240V~ | 50/60Hz | 36W |
| LED PL-RC-S-B2 SQ620-36W | 620 | 620 | 35 | 220-240V~ | 50/60Hz | 36W |
| LED PL-RC-S-B2 SQ595-36W-U19 | 595 | 595 | 35 | 220-240V~ | 50/60Hz | 36W |
| LED PL-RC-S-B2 SQ620-36W-U19 | 620 | 620 | 35 | 220-240V~ | 50/60Hz | 36W |

Wire Connection & Recessed Installation

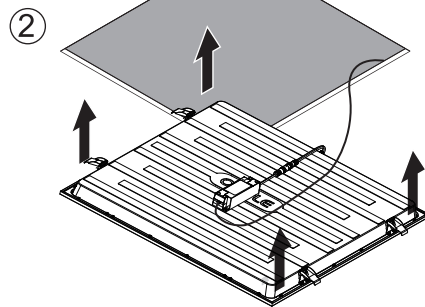
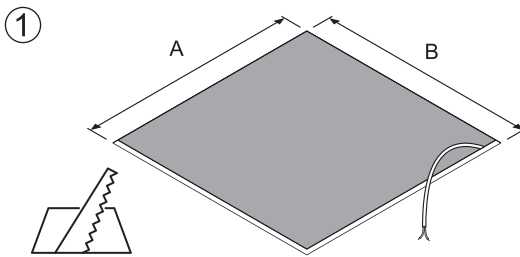
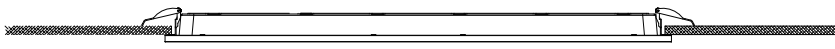


Do not cover with insulation material

Suspended Installation (Suspension kit)



Recessed Mounting (Mounting Springs)



| Panel LED | A | B |  x4 |  x8 | Panel LED | A | B |  x4 |  x8 |
|-----------|-------|-------|--|--|-----------|-------|-------|--|--|
| 595×595 | 580mm | 580mm | | | 620×620 | 605mm | 605mm | | |



Luminaires not suitable for covering with thermally insulating material.
Leuchten sind nicht mit thermisch isolierenden Materialien abzudecken.

In case of damage to the wire, it has to be replaced only by the manufacturer, distributor or by an expert, to avoid risks.

Caution: Any operation on LED module is forbidden while power-on.

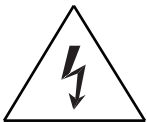
Zur Vermeidung von Risiken müssen defekte Leitungen ausschließlich vom Hersteller, Inverkehrbringer oder Fachmann ausgetauscht werden.

Achtung: In Betrieb ist keine Arbeit am LED-Modul erlaubt.

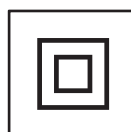
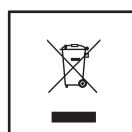
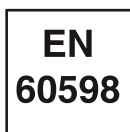
For non-user replaceable light sources:

The light source contained in this luminaire shall only be replaced by the manufacturer or his service agent or a similar qualified person.

Das Leuchtmittel dieser Leuchte ist nicht austauschbar. Wenn das Leuchtmittel das Ende seiner Lebensdauer erreicht hat, muss die gesamte Leuchte ersetzt werden.



Terminal block not included. Installation may require advice from a qualified person. Only use suitable connection boxes with internal terminal blocks conform to EN60998-2-1 or EN60998-2-2 Terminal should be capable for at least 450V 16A, 0.75mm² wiring.



Opplé Lighting Electronic (Zhongshan) Co., Ltd.
Building A, No.275 Dongan Bei Road,
Haizhou District,
Guzhen Town,
Zhongshan City,
Guangdong, China.

OPPLE Lighting B.V.
Materiaalweg 6-6A
5681 RJ Best
The Netherlands
service@opple.com
www.opple.com

Data subject to change/
Les données sont sujettes à modifications
Änderungen vorbehalten