



SE DAB+ Radio with bluetooth

MEG4375-0303 / MTN4375-0303



MEG4375-0303 / MTN4375-0303

merten™

1 Contents

1 Contents	3
2 Safety instructions	7
2.1 Signs and symbols used	7
2.2 Intended use	9
2.3 Target group for this instruction manual	10
2.4 Using the SE DAB+ Radio safely	10
3 Legal notices	12
3.1 Service instructions	14
4 Device overview	15
5 Description of the SE DAB+ Radio	17
5.1 Scope of delivery	17
5.2 Special features of the SE DAB+ Radio	17
6 Basic operation	18
7 Connecting and assembling the SE DAB+ Radio	20
7.1 Device overview	20

7.2 Flush mounting	21
7.3 Connecting the speaker unit	22
7.4 Connecting the radio unit to the mains	24
7.5 Final assembly.....	26
8 Menu operation.....	28
9 DAB+ radio	29
9.1 Performing a complete scan	29
9.2 Selecting stations	30
9.3 Saving DAB+ stations to a memory slot.....	30
9.4 Retrieving DAB+ stations from a favourites memory slot.....	31
9.5 Overwriting/deleting a station memory slot.....	32
9.6 Manual setting	32
9.7 Volume adjustment (DRC).....	33
9.8 Deleting inactive stations.....	34
10 FM mode.....	34
10.1 Switching on FM radio mode	34
10.2 FM reception with RDS information.....	35

10.3 Automatic station scan.....	35
10.4 Manual station scan.....	36
10.5 Scan setting.....	36
10.6 Saving FM stations to a memory slot	37
10.7 Retrieving FM stations from a favourites memory slot	37
10.8 Overwriting/deleting a station memory slot.....	38
11 Bluetooth	39
11.1 Switching on Bluetooth mode	39
11.2 Pairing an external device	40
11.3 Cancel pairing.....	41
12 Sleep timer	42
13 Alarm	43
13.1 Setting the alarm time.....	43
13.2 Switching off the alarm after being woken up.....	45
14 Equaliser	45
14.1 MyEQ.....	46
15 System settings.....	47
15.1 Retrieving displays	47

15.2 Time and date settings	48
15.3 Display brightness	52
15.4 Language.....	53
15.5 Factory settings	53
15.6 Software version.....	54
16 Cleaning	54
17 Troubleshooting FAQs	56
18 Technical data.....	58

2 Safety instructions

2.1 Signs and symbols used

In this instruction manual:



Indicates a safety instruction which can lead to serious injuries or death if not observed. Note the following signal words:

DANGER - Serious injury with fatal consequences

WARNING - Serious injury, possibly fatal

CAUTION - Injuries



This identifies information that must always be observed to prevent defects, data loss/misuse and undesired operation. It also describes other useful functions and instructions for using and operating your device.



Beware of electrical voltage. Follow all safety instructions to avoid electric shock. Do not open the device under any circumstances.

On the unit:



Indoor use - Devices with this symbol are only suitable for indoor use.



Protection class II - Electrical devices of protection class II are electrical devices with continuous double and/or reinforced insulation and no connection options for a protective conductor. The casing of an electrical device of protection class II, which is enclosed in an insulating material, can form part or all of the additional or reinforced insulation.



Your device bears the CE symbol and complies with all requisite EU standards.



Electronic devices do not belong in the household waste and must be disposed of properly in accordance with Directive 2012/19/EU of the European Parliament and of the Council dated July 4, 2012 concerning waste electrical and electronic equipment. Please return this unit to the designated public collection point for disposal at the end of its service life.

2.2 Intended use

Please read this instruction manual carefully. You can only connect the device safely and operate it correctly if you do so. You can find an updated version on the homepage in the download area for your product. Keep the instruction manual in a safe place for use at a later date.

The device has been designed to receive DAB+/FM radio programmes.

Furthermore, it can receive and play music streams via Bluetooth if another device is connected. The device is only designed for private (non-commercial) or comparable use. Any other use is considered "not intended"!



WARNING!

This device is intended for fixed installation.

Only qualified personnel may install devices without a plug. Risk of electric shock!
In the event of damage to the device resulting from incorrect connection, no warranty claim can be made.



WARNING!

Ensure that, prior to connecting the radio unit to the mains network or the domestic wiring, the power is disconnected and secured from being switched on. Risk of electric shock!

2.3 Target group for this instruction manual

The instruction manual is intended for anyone involved with installing, operating, cleaning or disposing of the device.

2.4 Using the SE DAB+ Radio safely

Please take note of the following information to minimise safety risks, to prevent damage to the device, and to make a contribution to environmental protection.

Please read all of the safety information carefully and keep it for future reference. Always follow all warnings and instructions in this Quick Start Guide and on the back of the device.



WARNING!

Never open the device!

Touching live parts can be fatal! Risk of electric shock!



Observe all of the following instructions for the intended use of the device and to prevent damage to the device and injury to persons.

- Do not repair the device yourself. Repairs should only be carried out by trained experts. Contact our customer service department.
- The device should only be operated under the intended environmental conditions.
- Do not expose the device to dripping or splashing water. If water has penetrated the device, disconnect it from the mains and inform the Service department.

- Do not expose the device to heat sources which create extra heat and add to the temperature of the device in regular operation.
- If you detect noticeably defects, odour or smoke, a major malfunction, or damage to the housing, inform the Service department immediately.
- The device may only be operated using the mains voltage permitted for the device. Never try to operate the device at any another voltage.
- If the device shows signs of damage, It may not be switched on and operated.
- Do not operate the device near to or in bath tubs, showers, swimming pools, running/dripping or splashing water. There is a risk of electrical shock and of damaging the device.
- Foreign bodies, e.g. nails, coins, etc., may not be inserted or fall into the device. Do not touch the connection contacts with metal objects or your fingers. This could lead to short-circuits, and lead to an electrical shock.
- This device is not intended to be used by people (including children) with limited physical, sensory or mental capacities or lack of experience and/or knowledge, unless they are supervised by a person responsible for their safety or they have been instructed by them as to how to use the device.

- Never allow children to use the device unsupervised.
- Modifications to the device are prohibited.

3 Legal notices



EU declaration of conformity

Hereby, Schneider Electric declares that the radio equipment type SE DAB+ Radio is in compliance with Directive 2014/53/EU. The full text of the EU declaration of conformity is available at the following internet address: [schneider-electric.com/docs](https://www.schneider-electric.com/docs)



Schneider Electric accepts no liability for product damage as a result of external influences, wear or improper handling, unauthorised repairs, modifications or accidents resulting as a consequence.



You can find further product information on the Internet. To do so, scan the QR code with your smartphone:

MTN4375-0303



<https://go2se.com/ref=MTN4375-0303>

MEG4375-0303



<https://go2se.com/ref=MEG4375-0303>

You can also find the Quick Start Guide and the instruction manual here in various languages.

The names of the companies, institutions or makes referred to are trademarks or registered trademarks of the respective owners.

Schneider Electric

CS30323

92506 Rueil Malmaison Cedex - France

se.com/contact

Schneider Electric GmbH c/o Merten

Gothaer Straße 29, 40880 Ratingen

Germany

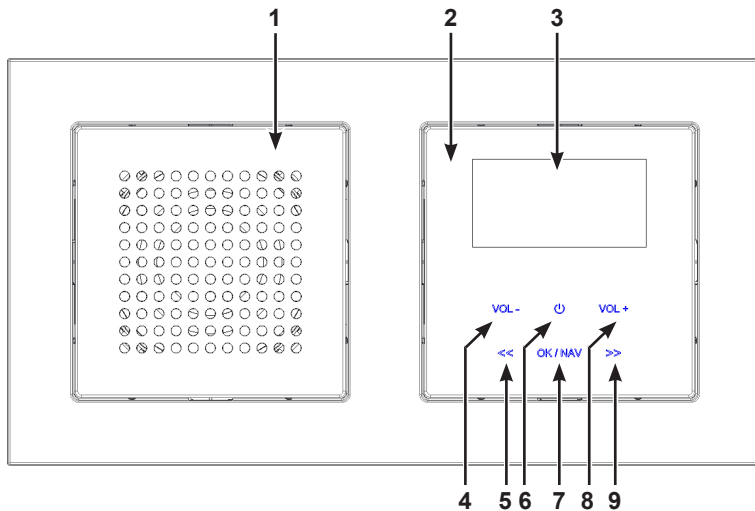
EN

3.1 Service instructions

Please contact the Customer Care Centre with any technical questions:

Schneider Electric Industries SAS
se.com/contact

4 Device overview



EN

- 1 Speaker
- 2 Control panel
- 3 Display
- 4 **VOL-**
Reduce volume
- 5 <<
Station List/Station Scan/Menu Navigation/Previous Track
- 6 **On/Standby**
- 7 **OK/NAV**
Press briefly = Confirm selection
Hold down = Access menu and source selection
- 8 **VOL+**
Increase volume
- 9 >>
Station List/Station Scan/Menu Navigation/Next Track

5 Description of the SE DAB+ Radio

5.1 Scope of delivery

Before start-up, please check whether everything has been delivered:

- 1 x radio unit + operating unit
- 1 x speaker + speaker cover
- 1 x Quick Start Guide
- 1 x antenna

5.2 Special features of the SE DAB+ Radio

The SE DAB+ radio is comprised of a DAB+/FM/Bluetooth receiver with the following functions:

- You can store up to 20 DAB+ and 20 FM favourite stations.
- The radio receives on the FM 87.5–108 MHz (analogue) frequencies and DAB+ 174.9–239.2 MHz (digital).
- The device has a time and date display.
- 2 alarms
- Sleep timer
- Music playback via Bluetooth

6 Basic operation

- > Briefly press the **On/Standby** touch field (5) to switch the radio on and off.

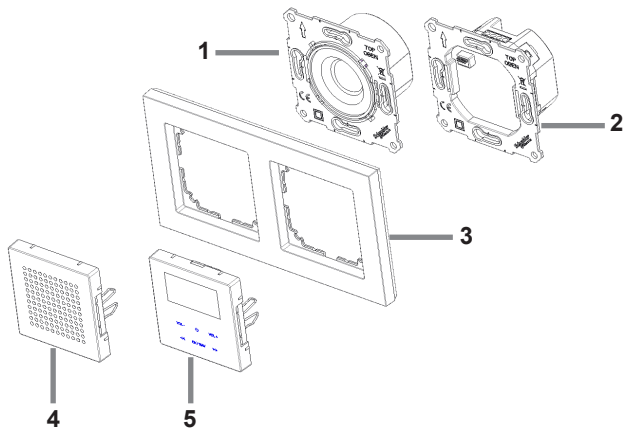


- After switching on the device for the first time, you must first set the **[Language]**. To do this, select one of the available languages using the << or >> touch field and confirm the selection by pressing **OK/NAV**. The device then automatically performs a full channel search in DAB+ mode. While scanning, the display information shows the progress, as well as the number of digital radio stations detected. After completing the station scan the first DAB+ channel is played.
- > To access the **main menu** briefly hold down the **OK/NAV** touch field (6). You can then use << and >> to navigate in the main menu. You can make a selection and save settings by briefly pressing **OK/NAV**. To exit the main menu, hold down the **OK/NAV** touch field again or wait about 30 seconds until the menu closes automatically.

- > To change the playback source, first open the **main menu**. Use << or >> to select the **Source** item and tap on **OK/NAV**. You can then use << or >> to select a playback source and play by tapping on **OK/NAV**.
- > The volume is set by using **VOL+** and **VOL-**.

7 Connecting and assembling the SE DAB+ Radio

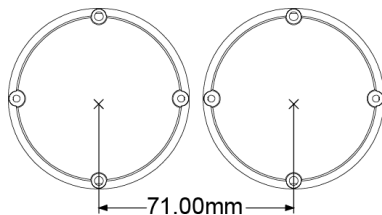
7.1 Device overview



1	Speaker	+	4	Speaker cover
2	Radio unit	+	5	Control panel
3	Frame (not included)			

7.2 Flush mounting

The SE DAB+ Radio and speaker can be set up either horizontally or vertically. For flush-mounted boxes (DIN 49073), allow the correct distance (if the speaker and radio are to be installed directly adjacent to each other) according to the following illustration (grid dimension):



If the speaker and radio are being installed separately, the speaker cable may need to be extended accordingly (max. 5 m).

- Only the supplied speaker or a speaker approved for this product may be used.
- The loudspeaker cable may only be extended using cables that are suitable and dimensioned for the type of installation (either separately in an empty conduit or designed as a line for mains voltage).

7.3 Connecting the speaker unit

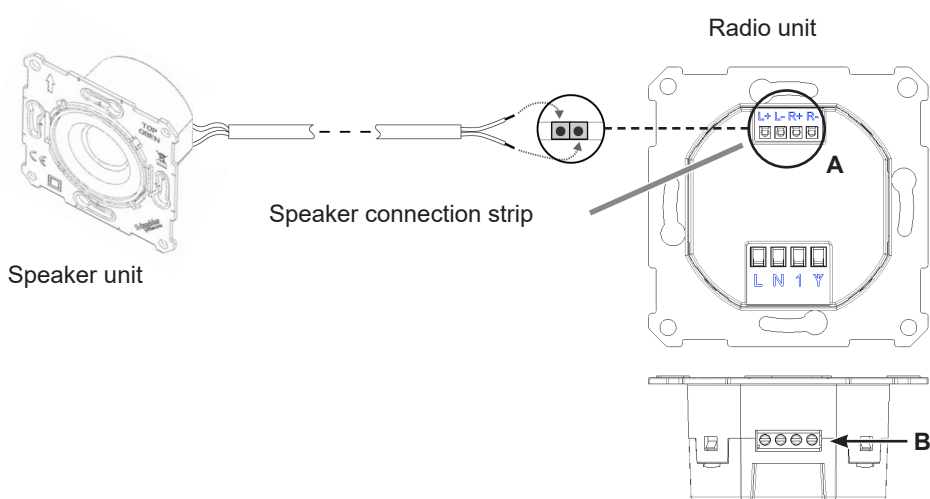
- > Connect the **red speaker cable (+)** to the speaker connection marked **L+ or R+ (A)** on the radio unit and tighten using a suitable flat-bladed screwdriver (**B**).
- > Then connect the **black speaker cable (-)** to the speaker connection marked **L- or R- (A)** on the radio unit and tighten using a suitable flat-bladed screwdriver (**B**).



Only use connection cables with wire end sleeves or rigid wire.

- Playback is always in mono, even in 2-speaker mode (2nd speaker not included in the scope of delivery; can be obtained from specialist dealers as an accessory).
- Loudspeaker cables and mains voltage lines must be separated from each other inside the flush-mounted box by suitable measures (either by fixing them with a cable fastener or using an insulating tube).
- It is not permitted to lay loudspeaker cables and mains voltage lines together outside the flush-mounted box. Separation must be ensured by suitable measures (e. g. separately in the empty conduit).

Speaker connection overview



EN

7.4 Connecting the radio unit to the mains

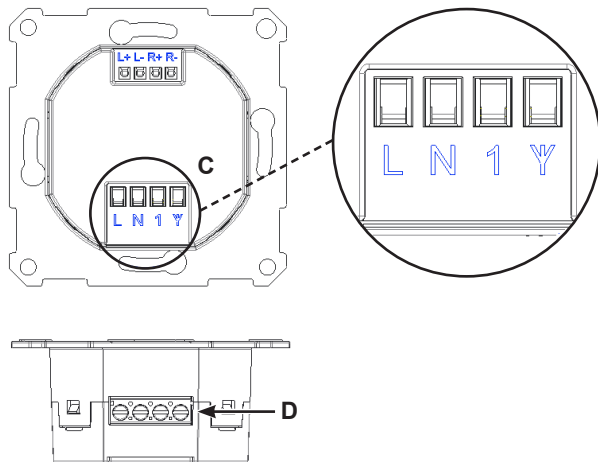
- > Connect the phase for domestic wiring (230 V AC / 50 Hz) to the terminal marked **L (C)** on the radio unit and tighten using a screwdriver (**D**).
- > Connect the neutral cable to the terminal marked **N (C)** on the radio unit and tighten using a screwdriver (**D**).
- > The antenna is connected to the terminal marked **Y** on the radio unit.



Only use connection cables with wire end sleeves or rigid wire.

- If you experience reception problems, please refer to the troubleshooting guide in the instruction manual, which you can find in the download area for your product on the homepage. Only the supplied antenna may be used.
- The antenna must not be installed outside the wall.
- The connection of stationary antennas or community antenna systems is not permitted.
- It is permissible to connect mains voltage lines (L or N) as an antenna. In the case of an external conductor, only the same external conductor as at mains connection **L** may be used.
- The extension input **1** may only be connected to the same phase as **L**, otherwise device defects may occur.

Radio unit connection overview



7.5 Final assembly

- > Both units (speaker and radio unit) are then inserted into the existing flush-mounted sockets and screwed in position with suitable fixing material (not included).



Ensure that the speaker and radio unit are aligned correctly. Both units are marked with **TOP/OBEN**.

- > After installing the radio unit and speaker, the frame (not included) is fixed by attaching the speaker cover and the control unit. To do this, push the speaker cover and the control unit gently and carefully onto the speaker and radio unit until they click into place.

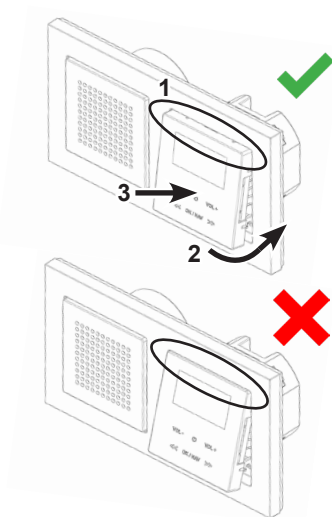
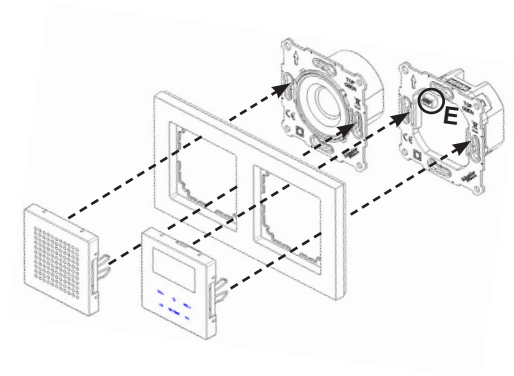


Only switch the power back on once final assembly has been successfully completed. The operating unit must not be mounted/removed if the power is on. This can lead to device defects.

Final assembly overview



When mounting the control unit, ensure that it is correctly aligned with the plug contact strip (E) on the radio unit.



8 Menu operation

You can access all of the SE DAB+ radio functions and settings via the menu. Menu navigation is performed using the <<, >> and **OK/NAV** touch fields. The menu is divided into submenus and contains different menu items or activatable functions depending on the mode (DAB+, FM or Bluetooth). Simply hold down **OK/NAV** to open the menu. To switch to submenus, first tap << or >> to display a submenu, then tap **OK/NAV** to access the submenu. An asterisk (*) highlights the current selection.



To close the menu, hold down **OK/NAV** or wait for a moment until the current radio channel is displayed again.



Settings are only saved by tapping **OK/NAV**.



The functions and buttons to be pressed are shown in **bold** in this instruction manual. Displays in **[square brackets]**.



Some text (e.g. menu items, station information) may be too long to show on the display. These will be then shown as running text shortly thereafter.

9 DAB+ radio

- > To select DAB+ as the playback source, first open the **main menu**. Use << or >> to select the **Source** item and tap on **OK/NAV**. You can then use << or >> to select **[DAB]** as the playback source and play the last station listened to by tapping on **OK/NAV**.



If DAB+ is being started for the first time, a complete scan will be performed. After the scan is complete, the first station is played back in alphanumeric order.

9.1 Performing a complete scan



The automatic scan (**Complete scan**) scans all DAB+ band III channels and thereby finds all stations being broadcast within the reception area.



After the scan is complete, the first station is played back in alphanumeric order.

- > To run a full scan, first open the **main menu**. Use the << or >> touch fields to select the **[Full Scan]** menu item, then tap on **OK/NAV**.
- > **[Scanning...]** appears on the display.



During the scan a progress bar and the number of stations found is displayed.



If no stations are found, check the antenna or note the instructions for improving reception in the FAQ section.

9.2 Selecting stations

> By tapping << or >>, the station list can be accessed and you can switch between the available stations.



Depending on the setting in **Main Menu > Change Station**, you will then need to tap on **OK/NAV** to play the station (Change Station > **List** option), or the station will play automatically (Change Station > **Channel** option).

9.3 Saving DAB+ stations to a memory slot



The favourites memory can store up to 20 stations in the DAB+ range.

> First select the desired station (see Section 9.2).

- > Open the **main menu**. Use the << or >> touch fields to select the **[Favourites]** menu item, then tap on **OK/NAV**.
- > Then use << or >> to select a favourites memory slot (1 - 20). Tap and **hold down OK/NAV** until **[Favourite X saved]** appears on the display.
- > Repeat this process to save additional stations.



If a favourites memory slot is already occupied, the name of the station currently stored there appears on the storage slot.

9.4 Retrieving DAB+ stations from a favourites memory slot

- > To retrieve a station that you have previously saved to a favourites slot, first open the **main menu**.
- > Use the << or >> touch fields to select the **[Favourites]** menu item, then tap on **OK/NAV**.
- > Then use << or >> to select a favourites slot (1 - 20) and tap on **OK/NAV** to play the station.



If no station is saved in the selected station slot, **[(empty)]** appears on the display.

9.5 Overwriting/deleting a station memory slot

> Simply save a new station in a favourite memory slot as described.



When retrieving the factory settings, all favourites memory slots are deleted.

9.6 Manual setting

This menu item is used to search for stations manually and can be used to align the antenna.

- > Open the **main menu**. Use the << or >> touch fields to select the **[Set Manually]** menu item, then tap on **OK/NAV**.
- > Use the << or >> touch fields to select a channel (5A to 13F) and tap on **OK/NAV**. Its signal strength is then shown in the display. If a DAB+ station package is being received on a channel, the station ensemble name is displayed. The antenna can now be aligned to the maximum signal intensity.



If the station being received is not yet in the station list, it will now be added to the list automatically.



Stations with a signal intensity below the required minimum signal intensity are not transmitting a strong enough signal. Check the antenna or note the instructions for improving reception under the FAQ section.

9.7 Volume adjustment (DRC)

With the **Volume Adjustment** menu item, the compression rate is set which balances the dynamic variations and thereby the accompanying volume variations.

- > Open the **main menu**. Use the << or >> touch fields to select the **[Volume Adjustment]** menu item, then tap on **OK/NAV**.
- > Select the compression rate using << or >>:
 - DRC high** - High compression
 - DRC low** - Low compression
 - DRC off** - Compression switched off.
- > Save the setting by tapping on **OK/NAV**.

9.8 Deleting inactive stations

This menu item is for removing old stations and those no longer being received from the station list.

- > Open the **main menu**. Use the << or >> touch fields to select the **[Remove Inactive Stations]** menu item, then tap on **OK/NAV**.

This is followed by the **[Delete?]** prompt asking if the inactive stations are to be deleted.

- > Use << or >> to select the **[Yes]** item and confirm by tapping on **OK/NAV**.

10 FM mode

10.1 Switching on FM radio mode

- > To select FM as the playback source, first open the **main menu**. Use << or >> to select the **Source** item and tap on **OK/NAV**. You can then use << or >> to select **[FM]** as the playback source and play the last station listened to by tapping on **OK/NAV**.



When switching on for the first time, the frequency 87.5 MHz is set.



In the case of RDS stations, the station name appears.



If reception interference occurs, check the antenna or note the instructions for improving reception in the FAQ section.

10.2 FM reception with RDS information

RDS is a procedure for broadcasting additional information via FM stations. Broadcasters with RDS broadcast their station name or the programme type, for example. This is shown on the display. The device can show the RDS information **RT** (Radio text), **PS** (Station name), **PTY** (Programme type).

10.3 Automatic station scan

> Hold down the << or >> buttons for a bit longer (2 to 3 sec.) to automatically search for the next station with a sufficient signal.



If an FM station with sufficient signal intensity is found, the scan stops and the station is played. If an RDS station is being received, the station name appears and, possibly, radio text.



Please use the manual station scan for setting weaker stations.

10.4 Manual station scan

- > Briefly tap on << or >> repeatedly to set the desired station or frequency.



The display shows the frequency in steps of 0.05 MHz.

10.5 Scan setting

In this menu item it is possible to set the sensitivity of the scan.

- > Open the **main menu**. Use the << or >> touch fields to select the **[Scan Settings]** menu item, then tap on **OK/NAV**.
- > Use << or >> to select whether the scan should only stop for stations with a strong signal **[Strong Stations Only]** or for all stations (including stations with a weak signal) **[All Stations]**.



With the **All Stations** setting, the scan stops automatically upon detecting each available station. This can result in weak stations being played with background noise.

10.6 Saving FM stations to a memory slot



The favourites memory can store up to 20 stations in the FM range.

- > First select the desired station (see Section 10.3).
- > Open the **main menu**. Use the << or >> touch fields to select the **[Favourites]** menu item, then tap on **OK/NAV**.
- > Then use << or >> to select a favourites memory slot (1 - 20). Tap and **hold down OK/NAV** until **[Favourite X saved]** appears on the display.
- > Repeat this process to save additional stations.

10.7 Retrieving FM stations from a favourites memory slot

- > To retrieve a station that you have previously saved to a favourites slot, first open the **main menu**.
- > Use the << or >> touch fields to select the **[Favourites]** menu item, then tap on **OK/NAV**.
- > Then use << or >> to select a favourites slot (1 - 20) and tap on **OK/NAV** to play the station.



If no station is saved in the selected station slot, **[(empty)]** appears on the display.

10.8 Overwriting/deleting a station memory slot

> Simply save a new station in a favourite memory slot as described.



When retrieving the factory settings, all favourites memory slots are deleted.

11 Bluetooth

In Bluetooth mode, you can enjoy music from a connected smartphone or tablet through the SE DAB+ radio's speakers. For this purpose, the two devices must first be "paired" to each other.

11.1 Switching on Bluetooth mode

- > To select Bluetooth as the playback source, first open the **main menu**. Use << or >> to select the **Source** item and tap on **OK/NAV**. You can then use << or >> to select **[Bluetooth]** as the playback source and start it by tapping on **OK/NAV**.



When switching on for the first time, an external device (smartphone / tablet) must first be paired.



If the radio has already been paired with another device which is within range, the connection is automatically established. Depending on the connected device, music playback may start automatically.

11.2 Pairing an external device

To pair an external device (for example a smartphone or tablet) with the SE DAB+ radio, follow these steps:

- > Start Bluetooth mode as described in Section 11.1.
- > The display will show **[Bluetooth]** and **[Please pair]**.
- > Now start the search for Bluetooth devices nearby on your external device. You may need to enable the Bluetooth feature on your external device first.



Please refer to the operating instructions for your external device to activate the Bluetooth function and perform a search on your external device.



During the pairing process, both devices should be within 10 cm of each other.

- > The entry **SE DAB+ Radio** should now appear in the list of Bluetooth devices found on your external device. Tap on the name of the radio to complete the pairing process. If the pairing process is successful, a confirmation tone sounds from the SE DAB+ radio's speaker.
- > Depending on the external device, its name now appears on the SE DAB+ radio's display. You can now start playing music on your external device.



Depending on the Bluetooth protocol of your external device, you can control the music playback using the SE DAB+ radio's touch fields. Tap on **OK/NAV** to pause or resume. Tap on **>>** to skip to the next track. Tap on **<<** to play the current track again or tap on **<<** twice to skip to the previous track.

Playback / pause	- OK/NAV button
Next track/Search	- Hold down >> button
Previous track	- Press << twice
Track from beginning/Search	- Hold down << button
Volume	- Volume +/- button



Alternatively, you can use the playback control for the music App on your external device.

11.3 Cancel pairing

To cancel an active pairing, select **Main Menu > Disconnect** and press the **OK/NAV** button. Note that the device to be unpaired must be connected to the SE DAB+ radio if you want to unpair it. Then you can pair a new device, as described in Section 11.2.

12 Sleep timer

The sleep timer automatically switches the SE DAB+ radio to **standby** after the set time.

- > Open the **main menu**. Use the << or >> touch fields to select the **[Sleep]** menu item and tap on **OK/NAV**.
- > Use << or >> to select a period after which the SE DAB+ radio should switch off. You can choose between **Off**, **5**, **10**, **15**, **30**, **60** and **90** minutes.
- > Tap on **OK/NAV** to accept the setting.



If you would like to check the time left while the sleep timer is active, just open **Main Menu > Sleep** again. If you want to switch off an active sleep timer, select **Sleep > Off**.

13 Alarm

The SE DAB+ radio has 2 alarms.

- > Open the **main menu**. Use the << or >> touch fields to select the **[Alarm]** menu item and tap on **OK/NAV**.
- > Then use << and >> to select the **[Set Alarm 1]** or **[Set Alarm 2]** function. Press **OK/NAV** to begin configuring Alarm 1 or Alarm 2.

13.1 Setting the alarm time



The wake-up function cannot be operated until the correct time has been set. Depending on the configuration, this occurs automatically or will need to be set manually. See Section 15.2 for further information.

- > Use the << or >> buttons to select one of the **Alarm 1** or **Alarm 2** alarm time memories, then tap on **OK/NAV**.
- > Go through all the points one after the other. Confirm each input with **OK/NAV**. You will then be automatically taken to the next setting. You can change the relevant values or options using << or >>.

Alarm > Off/On to activate or switch off the alarm.

- Time >** Set the **time** at which you wish to be woken up using << or >> and **OK/NAV**.
- Duration >** **15, 30, 45, 60, 90, 120** minutes: here is where you specify the duration of the alarm.
- Source >** Select the **source** with which you wish to be woken up. The following are available: **buzzer, DAB, FM**.
- Station >** **Last listened to** or a station you have saved in the **favourites memory**.
- Repeat >** **Daily, Once, Weekend (Sat + Sun), Working days (Mon - Fri)**.



If you have chosen **Once**, you must then enter the date.

Volume > Select the **volume** with which you wish to be woken up.

- > To save the alarm with the settings you have made, tap on **OK/NAV** after setting the volume. **[Alarm Saved]** is displayed.

13.2 Switching off the alarm after being woken up

- > Tap on **On/Standby** to switch off the alarm.
- > Tap on **OK/NAV** to switch on the snooze function. By repeatedly tapping on **OK/NAV**, you can select the length of the interval, either **5**, **10**, **15** or **30** minutes. The length of the snooze period depends on the specified duration of the alarm.



The alarm bell symbol appears on the display again if the alarm repeat is set to **Daily**, **Weekend** or **Working days**.



If you want to switch off the alarm completely, select **Alarm > Off** in the menu for the corresponding alarm.

14 Equaliser

With the Equaliser* you can adjust the sound in DAB and FM mode according to your wishes.

- > In **DAB** or **FM** mode, open the **main menu** and use << or >> to select the **[Equaliser]** item. Tap on **OK/NAV**.

- > Use << or >> to select **[Optimal]** for a sound optimally tuned to the device, or **[MyEQ...]** to set the treble and bass manually. Tap on **OK/NAV** to accept the selection.

* Not available in Bluetooth mode.

14.1 MyEQ

- > Select **Main Menu > Equaliser > MyEQ** and tap on **OK/NAV**.
- > Use the << or >> buttons to select either **[Treble]** to adjust the treble, or **[Bass]** to adjust the bass. Then tap on **OK/NAV**.
- > Now use << or >> to set a value between -7 and +7. Tap on **OK/NAV** to accept the setting.

15 System settings

All the settings referred to in this section apply equally to DAB+, FM and Bluetooth mode.

15.1 Retrieving displays

- > Open the **main menu**. Use the << or >> touch fields to select the **[Display]** menu item and tap on **OK/NAV**.
- > Use << or >> to select a display option and tap on **OK/NAV**. You have the choice of having the following information displayed:

In **DAB+** mode (the selected function is identified with an “*”):

[Running text] (continuous text with additional information provided by broadcasters etc.), **[Signal intensity]**, **[Channel type]**, **[Ensemble]**, **[Frequency]**, **[Signal quality]**, **[Bit rate and Codec]** and **[Date]**.

In **FM** mode (the selected function is identified with an “*”):

[Radio text] (if transmitted), **[Channel type]** (PTY), **[Frequency]** (Programme Service Name or Station Name or Frequency), **[Audio Information]** and **[Date]**.

In **Bluetooth** mode (the selected function is identified with an “*”):

[Status] (Device name), **[Track]**, **[Artist]**, **[Album]** and **[Date]**.

- > Tap on **OK/NAV** to toggle back to playback view.

15.2 Time and date settings

15.2.1 Manually setting the date/time

Depending on the setting for time updates (Section 15.2.2), the date and time might have to be set manually.

- > Open the **main menu**. Use the << or >> touch fields to select the **[Time]** menu item and tap on **OK/NAV**.
- > Use << or >> to select the **[Set Time/Date]** item and tap on **OK/NAV**.
- > The first digits (hours) flash and can be changed using << or >>. >> increases the value, << reduces it.
- > Tap on **OK/NAV** to accept the setting.

- > The next time digits (minutes) start to flash and can again be changed as described above.
- > Tap on **OK/NAV** after each additional setting in order to move on to the next setting.

- > To set the date, proceed in the same way as described above.
- > After all settings have been made and you have tapped **OK/NAV** for the last time, **[Time Saved]** appears in the display.

15.2.2 Time update

In this submenu, you can determine whether the time update should be done automatically via DAB+ or FM, or whether you wish to enter it manually (Section 15.2.1).

- > Open the **main menu**. Use the << or >> touch fields to select the **[Time]** menu item and tap on **OK/NAV**.
- > Use << or >> to select the **[Update Time]** item and tap on **OK/NAV**.
- > Use << or >> to choose one of the following options:
 - [All Sources]** (Update via DAB+ and FM)
 - [Update from DAB]** (Update via DAB+ only)
 - [Update from FM]** (Update via FM only)
 - [No Update]** (Time/date must be entered manually, see Section 15.2.1).
- > Tap on **OK/NAV** to accept the setting.

15.2.3 Setting the time format

In the **Set 12/24 hrs.** submenu you can activate the 12-hour or 24-hour format.

- > Open the **main menu**. Use the << or >> touch fields to select the **[Time]** menu item and tap on **OK/NAV**.
- > Use << or >> to select the **[Set 12/24 Hrs.]** item and tap on **OK/NAV**.
- > Use << or >> to choose one of the following options:
 - [Set 24 hrs.]**
 - [Set 12 hrs.]**
- > Tap on **OK/NAV** to accept the setting.

15.2.4 Setting the date format

In the **Set Date Format submenu** you can determine the format for displaying the date.

- > Open the **main menu**. Use the << or >> touch fields to select the **[Time]** menu item and tap on **OK/NAV**.
- > Use << or >> to select the **[Set Date Format]** item and tap on **OK/NAV**.
- > Use << or >> to choose one of the following options:
 - [DD-MM-YYYY]** (day, month, year)
 - [MM-DD-YYYY]** (month, day, year)
- > Tap on **OK/NAV** to accept the setting.

15.3 Display brightness

It is possible to set the display brightness both for operation and standby.

> Open the **main menu**. Use the << or >> touch fields to select the **[Brightness]** menu item and tap on **OK/NAV**.

> To select one of the following options, use << or >>, then tap on **OK/NAV**:

[Operation] regulates brightness in the normal operating status. Use << or >> to select a brightness intensity and tap on **OK/NAV** to save.

[Standby] regulates the brightness in standby mode. Use << or >> to select a brightness intensity and tap on **OK/NAV** to save.

[Auto Dim] dims the display automatically (with the option **[On]** selected) to the low brightness value after 10 seconds without operating the radio. When the **[Off]** option is selected, the display will be permanently lit with the brightness selected under **[Operation]**. Tap on **OK/NAV** to save a setting.

[Night mode] In night mode the display intensity can be regulated at a specific time. The display can also be switched off completely here. Use << or >> to select an option and tap on **OK/NAV to save**

15.4 Language

- > Open the **main menu**. Use the << or >> touch fields to select the **[Language]** menu item and tap on **OK/NAV**.
- > Use << or >> to select one of the available languages and confirm by tapping on **OK/NAV**.

15.5 Factory settings

If you change the location of the device, e.g. when moving house, it is possible that the saved stations can no longer be received. In this case you can reset the device to **factory settings** to delete all the saved stations and launch a new scan.

- > Open the **main menu**. Use the << or >> touch fields to select the **[Factory Settings]** menu item and tap on **OK/NAV**.
- > Use << or >> to select the **[Yes]** option, then tap on **OK/NAV**.



All previously stored stations and settings will now be deleted. The device is now in the same status as when delivered.

- > The display will show **[Restart ...]** and the device will start using the language selection **[Language]**. To do this, select one of the available languages using **<<** or **>>** and confirm the selection by tapping on **OK/NAV**. The device then automatically performs a full channel search in DAB+ mode. While scanning, the display information shows the progress, as well as the number of digital radio stations detected. After completing the station scan the first DAB+ channel is played.

15.6 Software version

Under Software version you can retrieve the currently installed software version.

- > Open the **main menu**. Use the **<<** or **>>** touch fields to select the **[Software Version]** menu item and tap on **OK/NAV**.
- > The current software version is displayed.

16 Cleaning



To prevent the risk of electric shock, you must not clean the device using a wet cloth or under running water. Disconnect the power supply before cleaning!



You must not use scouring pads, scouring powder and solvents such as alcohol or petrol.



Do not use any of the following substances: saltwater, insecticide, chlorine-based or acidic solvents (ammonium chloride). Do not use spirit, thinners, etc.; you could damage the surface of the device.

- > Clean the housing using a soft, damp cloth.
- > Only clean the display with a soft, cotton cloth. If required, use a cotton cloth with small amounts of non-alkaline, diluted, water-based or alcohol-based soap solution.
- > Gently clean the surface using the cotton cloth.

17 Troubleshooting FAQs

If the device does not operate as intended, check the following table for information.

Symptom	Possible cause/remedy
The device cannot be switched on.	The device is not being supplied with power. Check the electrical supply
No sound can be heard.	Increase the volume.
The display does not switch on.	Disconnect the device from the power supply and then reconnect it.
Poor reception via DAB+/FM.	Check the position of the antenna using the following characteristics: <ul style="list-style-type: none">- Adjust/correct the position of the antenna in the switch junction box or inside the wall.- If the antenna is installed in the cable slot in the wall, the antenna wire should be located as close as possible to the surface of the slot.- It is important to ensure that the antenna is laid in the wall as stretched out as possible.

Symptom	Possible cause/remedy
	<ul style="list-style-type: none"> - In cavity walls, the antenna can be installed freely in the wall, if possible away from metal stands. - If reception with the supplied antenna is not sufficient, an outer conductor (L/N) can be connected as an antenna. - If a metal design frame from a switch range is used, this can affect the reception quality. If necessary, replace the metal frame with plastic or glass frames.
The device cannot be operated.	Disconnect the device from the power supply and then reconnect it.
Bad Bluetooth connection and dropouts	Do not exceed the maximum range for Bluetooth of 10m.

If the malfunction has not been resolved, even after performing the checks described, please contact the Technical Hotline.

18 Technical data

Power supply:	230 V AC / 50 Hz
Power consumption during normal operation:	max. 6 W
Power consumption when on standby:	< 0.5 W
Protection class:	IP20
Reception frequencies:	DAB/DAB+ 174.928 - 239.200 MHz FM: 87.5 - 108 MHz
Bluetooth:	Version V4.1 2.402-2.480 GHz Class 2, max. +4 dBm
Music output:	2 x 2W RMS
Ambient conditions	
Relative humidity:	Operation: 10% - 75% non- condensing Storage: 5% - 90%
Temperature:	Operation: 5°C - 35°C Storage: -20°C - 60°C
Dimensions W x H x D (installation depth):	
Radio	70 mm x 70 mm x 42 mm (30 mm)
Speaker	70 mm x 70 mm x 44 mm (32 mm)

NVE51577-00-WEB 02/2021