

# ANTARA

WOJP00720

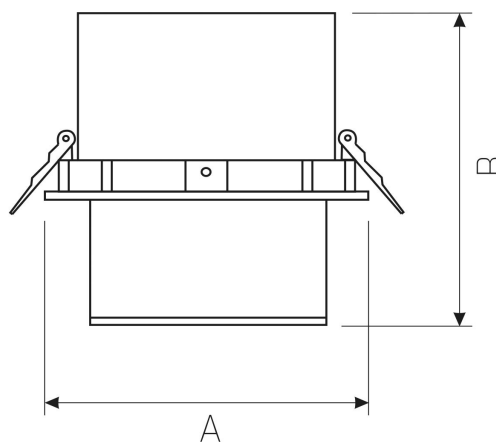
LED luminaire ANTARA, with a power of 27 W, high light efficacy 130 lm/W. It is made of high-quality components, supported by a 5-year warranty. It shines with a warm light (3000K), which promotes relaxation and rest, making the illuminated room cosier. Narrow beam angle 40° gives directional light so that selected objects or surfaces can be better exposed. Designed for recessed mounting.



Power	<b>27 W</b>	Voltage	<b>230 V</b>
Colour temperature	<b>3000 K</b>	Colour of light	<b>WW</b>
Beam angle	<b>40 °</b>	Degree of protection (IP)	<b>IP20</b>


## Technical data

Code	WQJP00720
Power	27 W
Nominal current	129.1 mA
Voltage	230 V
Energy consumption	27 kWh/1000h
Frequency	50HZ Hz
Protection class	II
Power supply included	+
Manufacturer of power supply	TCl
Power factor	0.93
Useful luminous flux*	3510 lm (360°)
Luminous flux**	2700 lm (360°)
Lamp efficacy	130 lm/W
Colour temperature	3000 K
Colour of light	WW
Beam angle	40 °
RA	80
Light source included	+
Producer of LED diodes	CREE
Uniformity of color SDCM max	3
Dimmable	OPC
Working temperature range	-20/+40 °
Lifespan	50000 h
Housing material	Aluminum
Degree of protection (IP)	IP20
Colour	White
Dimension (AxBxC)	205x140 mm
Mounting hole	Ø185 mm
For use	Inside
Assembly method	Recessed
Application	Inside
Made in	PL




## Related documents



 Declaration of Conformity



 Photometric file