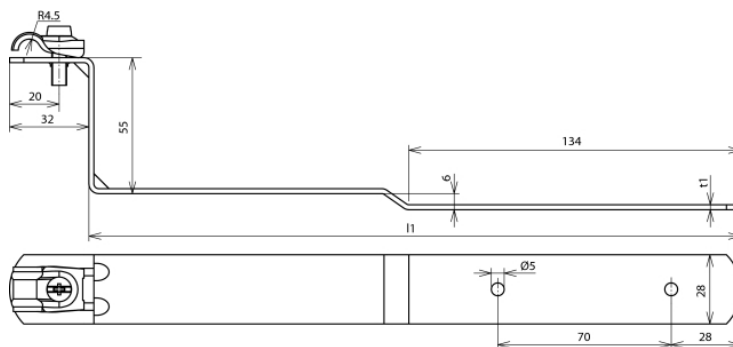


DLH DQ 6.10 H55 L260 GS STTZN (202 010)



Figure without obligation



Type	DLH DQ 6.10 H55 L260 GS STTZN
Part No.	202 010
Material of roof conductor holder	St/tZn
Height of brace	55 mm
Length of brace	260 / 2 mm
Material of conductor holder	St/tZn
Conductor support Rd	6-10 mm
Type of conductor holder	DEHNquick
Conductor routing	fixed
Type of roofing	tiled, slated, roofing felt
Type of brace	cranked
Fixing possibility	nailing, underlaying
Hole Ø	8.4 mm
Weight	159 g
Customs tariff number	85389099
GTIN	4013364019874
PU	50 Stk

We reserve the right to introduce changes in performance, configuration and technology, dimensions, weights and materials in the course of technical progress. The figures are shown without obligation.