


21700630	DATA SHEET	
Valid from: 17.09.2018	EPIC® DATA ED-IE-AX-RJ45-6A-B-68-FC	

Description

- Field mountable RJ45-plug, Cat.6_A, shielded
- IP68*-housing included
- Pin assignment EIA/TIA-568B
- For industrial Ethernet



General characteristics

Connection method, connector	RJ45-plug, field mountable
Number of pins	8
Ambient temperature	-40°C to +85°C (-40°F to 185°F)
Degree of protection	IP 68* (0.5h / 20 m)
Shielding	Shielded
For conductor	AWG22/1 to AWG24/1 AWG22/7 to AWG27/7
For insulation-Ø	Ø0.85 mm to Ø1.6 mm
For cable-Ø	Ø6.5 mm to Ø9.0 mm
Life (mating cycles) IP68 housing	≥100

Additional note

* IP68 only in combination with 21700630 and 21700631 or 21700630 and 21700632

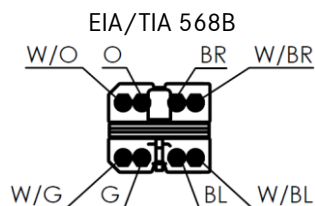
Electrical properties

Rated voltage	50 VAC / 60 VDC (max.)
Rated current at 50 °C	1 A
Pollution degree	2
Contact resistance	≤ 20 mΩ
Insulation resistance	≥ 500 MΩ
Withstand voltage	≥ 1000 VDC contact to contact ≥ 1500 VDC contact to shield


Transmission characteristics

Category (ISO)	6 _A
----------------	----------------

Connector pin assignment



Creator: FELI1/PDP Released: IVSE1/PDP	Document: DB21700630EN Version: 00	Page 1 of 2
---	---------------------------------------	-------------

21700630	DATA SHEET	
Valid from: 17.09.2018	EPIC® DATA ED-IE-AX-RJ45-6A-B-68-FC	

Mechanical properties

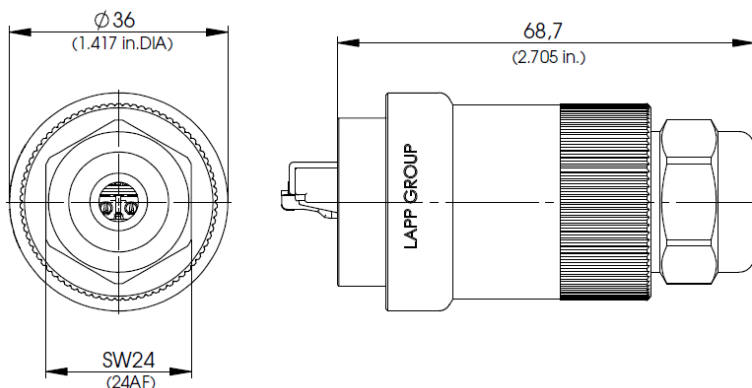
IP68-housing

Cap nut/sleeve, material	Zink die cast, Ni plated
O-ring, material	silicone red
Sealing insert, material	silicone transparent

RJ45-plug

Inflammability class according to UL 94	V0
Connector housing, material	Zink diecasting Ni plated
Contact housing, material	PC crystal clear
Wire pre-sorting, material	PC white
Hook, material	PBT black
Strain relief lever, material	PBT black
Protection cap, material	PBT black
PCB, material	FR4
Piercing contacts, material	phosphor bronze, Sn plated
Shield contact, material	brass, Ni plated
Contact, material	spring steel, gold plated

Technical drawing



Standards / Approvals

Product standard, RJ45-connector	IEC 60603-7-51
Generic cabling for customer premises – General requirements	ISO/IEC 11801, Chapter 13, Categorie 6 _A
Transmission rate up to 10Gbit	acc. IEEE 802.3an

Application range

Automation, industrial machinery and plant engineering

Note

Photographs are not true to scale and do not represent detailed images of the respective products.

Creator: FELI1/PDP Released: IVSE1/PDP	Document: DB21700630EN Version: 00	Page 2 of 2
---	---------------------------------------	-------------