

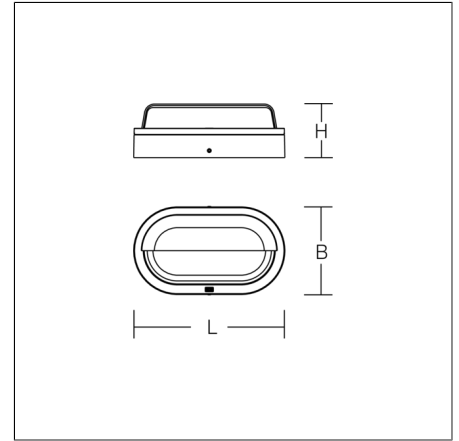
ALU-LUX OVAL

582066.002.1 | Wall luminaires



Wall luminaires
4051859353669
L 258, B 148, H 92

Wall (surface)
traffic white, matt (RAL 9016)



Decorative surface-mounted luminaire for outdoor use. Housing made of corrosion-resistant die-cast aluminium, seawater resistant powder-coated. With membrane valve to avoid condensation. Crystal glass: matt inside. Shadow-free, homogeneous and soft illumination. With mains voltage LED module. Fixing on the wall outside the sealed volume, drill hole deviations can be compensated. Separate connection compartment for direct connection of rigid cables up to 3 x 2.5 mm².

Product specifications

Length L	258 mm
Width B	148 mm
Height H	92 mm
Weight	1.5 kg
Light source	LED
Colour temperature	4000 K
Rated luminous flux	330 lm
System power	12 W
System efficiency	28 lm/W
Glare evaluation UGR (4H 8H)	27,8
Beam angle	down 90°/68°/0°/68° up 90°/90°/0°/90°
Rated life	50000 h (L70/B50)
Colour rendering index (CRI)	80
Colour tolerance	3
Photobiological safety according to EN 62471	Risk group 1
Driver	Not necessary
Control	on/off
Voltage	230 V / 50 Hz
CIE Flux Code / CEN Flux Code	28 55 79 71 100
Type of protection	IP 65
Protection class	I
Impact resistance	IK07
Ambient temperature	-20 °C ... + 30 °C
Conformity mark	CE, EAC

Spareparts

