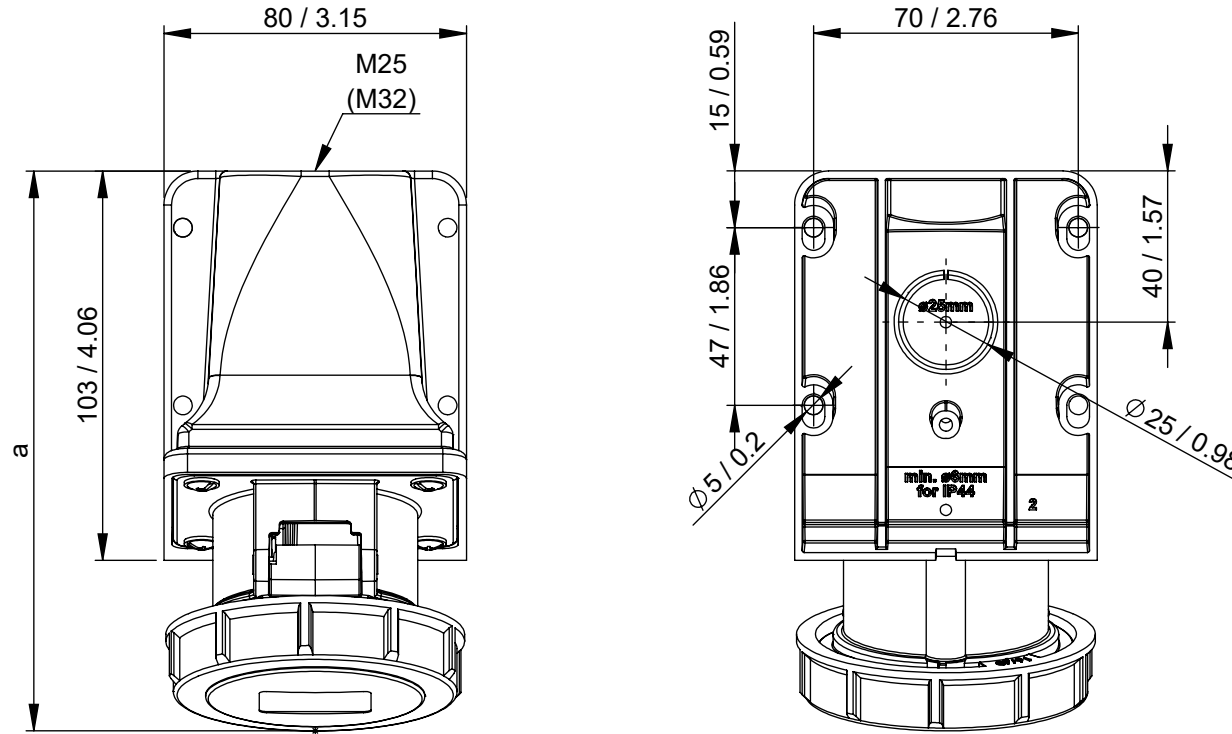


Maßskizze / dimensional drawing

Benennung: **Wandsteckdose IP67 UL**

description: **Wall mounted socket IP67 UL**

Teilenummer / part number: **11392-*, 11492-*, 11592-*, 12392-*, 12492-*, 12592-***



b = Höhe / height
Neigung / angle = 15°

Ampere	20			30		
Poles	2P3W (3p)	3P4W (4p)	4P5W (5p)	2P3W (3p)	3P4W (4p)	4P5W (5p)
a [mm] / [inch]	146 / 5.75	148 / 5.83	148 / 5.83	161 / 6.34	161 / 6.34	163 / 6.42
b [mm] / [inch]	96 / 3.78	99 / 3.90	102 / 4.02	108 / 4.25	108 / 4.25	112 / 4.41