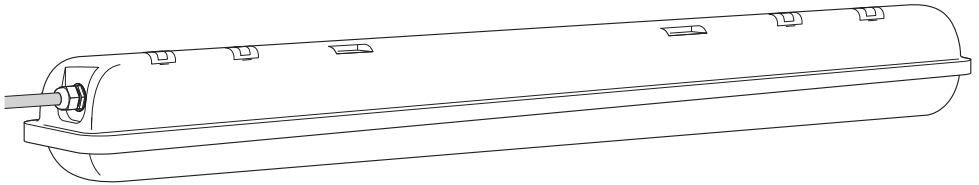


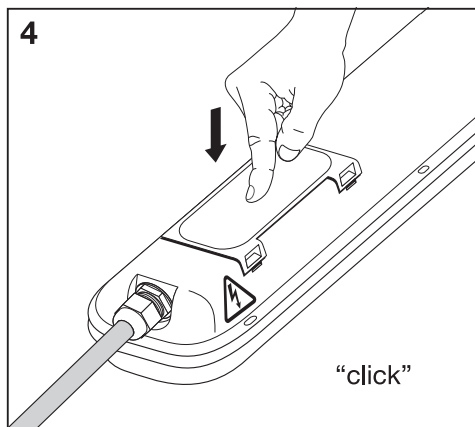
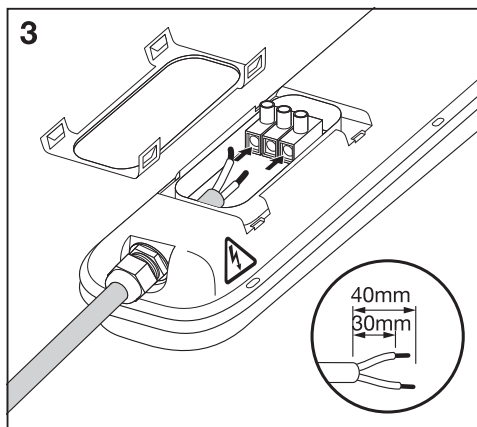
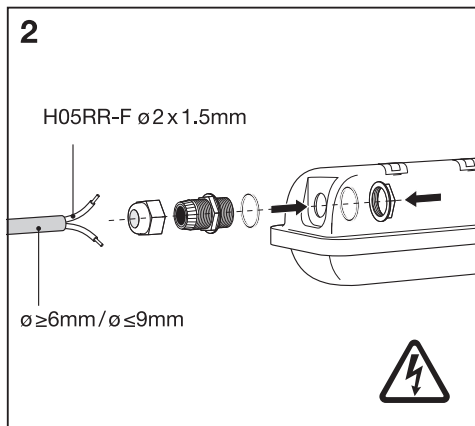
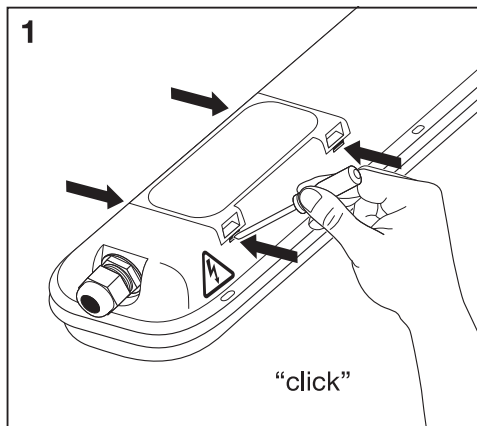
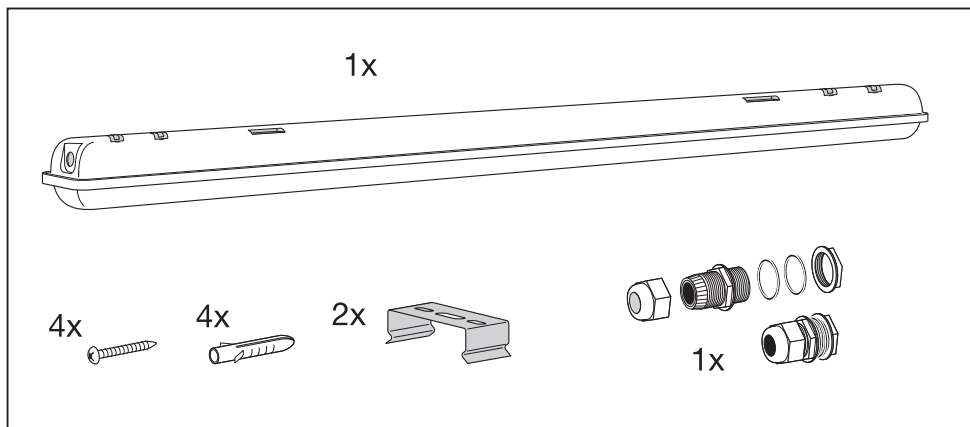
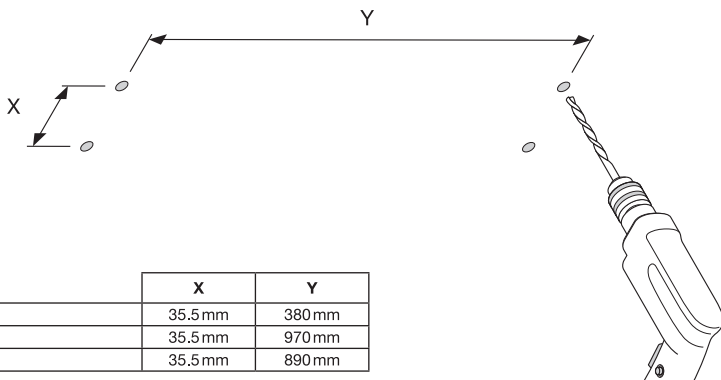

SUBMARINE® INTEGRATED



	EAN	W	lm Light Source	lm Output	K	IP	Temp Class (°C)	V~	mA	Hz	PF	∠(°)		 kg
SUBMARINE LED I 0.6M 840	4058075260351	18	1900	1500	4000	65	-20...+40	220-240	78	50/60	>0.9	120	25000	0.7
SUBMARINE LED I 1.2M 840	4058075260412	36	3600	3000	4000	65	-20...+40	220-240	157	50/60	>0.9	120	25000	1.2
SUBMARINE LED I 1.5M 840	4058075260498	48	5000	4000	4000	65	-20...+40	220-240	209	50/60	>0.9	120	25000	1.6

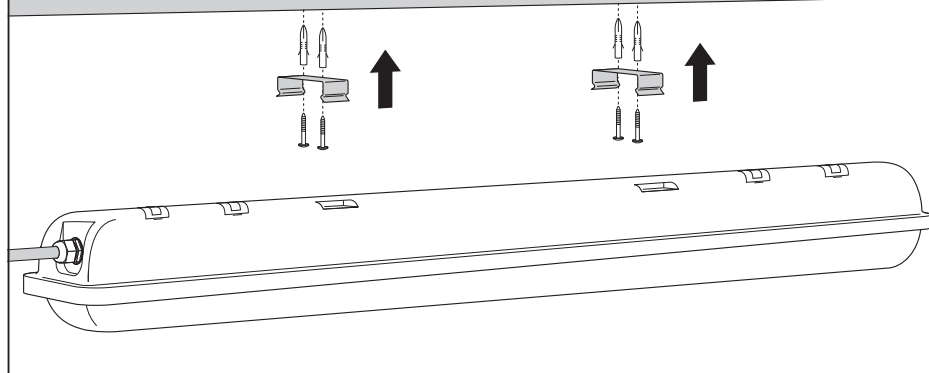


5

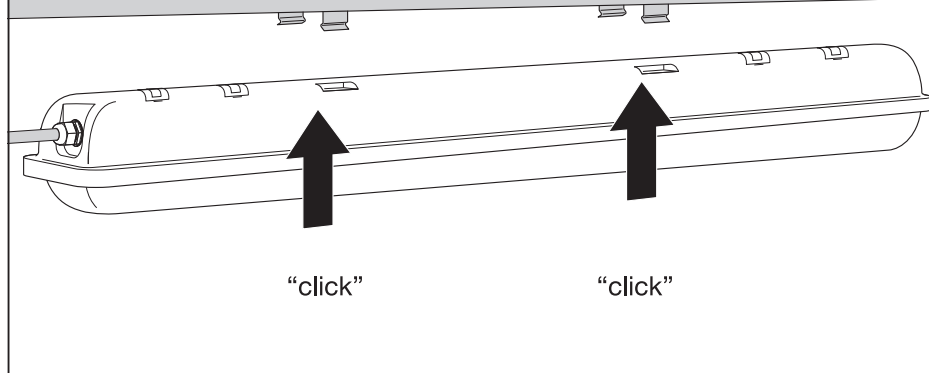


	X	Y
0.6M 840	35.5 mm	380 mm
1.2M 840	35.5 mm	970 mm
1.5M 840	35.5 mm	890 mm

6



7





	EAN	n	LED	QR code	ENERGY * X =
SUBMARINE LED I 0.6M 840	4058075260351	1	AC34738		F
SUBMARINE LED I 1.2M 840	4058075260412	1	AC34739		F
SUBMARINE LED I 1.5M 840	4058075260498	1	AC34740		F



C10449057
G11173605
13.07.2023



LEDVANCE GmbH
Steinerne Furt 62
86167 Augsburg, Germany
www.ledvance.com