

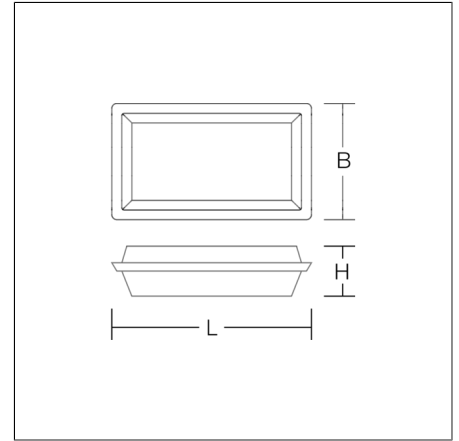
VARIOPLAST I

672182.002 | Stand-by luminaires for escape route illumination



Ceiling and wall luminaires
4051859162513
L 320, B 186, H 80

Ceiling mounting, Wall (surface)
white



Luminaire for escape route illumination. Base: plastic (polycarbonate). Housing and diffuser: opal, made of shockproof plastic (polycarbonate). Driver integrated. Suitable for connection to central battery systems.

Product specifications

| | |
|----------------------------------------------|----------------------------------|
| Typ of emergency lighting | Central battery system |
| Monitoring | Power circuit |
| Battery | without |
| Operating mode | maintained power mode |
| Length L | 320 mm |
| Width B | 186 mm |
| Height H | 80 mm |
| Weight | 0.89 kg |
| Light source | LED |
| Colour temperature | 4000 K |
| Rated luminous flux, mains operation | 880 lm |
| System power, mains operation | 7,7 W |
| Rated luminous flux, emergency operation | 870 lm |
| System power, emergency operation | 7,5 W |
| System efficiency | 114 lm/W |
| Glare evaluation UGR (4H 8H) | 21,7 |
| Beam angle | down 121°/109° up 180°/180° |
| Colour rendering index (CRI) | 80 |
| Colour tolerance | 3 |
| Photobiological safety according to EN 62471 | Risk group 0 |
| Driver | Converter |
| Control | on/off |
| Voltage | 220 - 240 V / 0 Hz, 50 Hz, 60 Hz |
| Luminaires on B10A fuse | 17 |
| Luminaires on B16A fuse | 27 |
| Luminaires on C10A fuse | 27 |
| Luminaires on C16A fuse | 42 |
| Inrush current / Inrush current duration | 27 A / 250 µs |
| CIE Flux Code / CEN Flux Code | 43 73 92 94 100 |
| Type of protection | IP 65 |
| Protection class | I |
| Filament test | 960 °C |
| Impact resistance | IK08 |
| Ambient temperature for maintained power | -25 °C ... + 40 °C |
| Safety marks | D-mark |
| Conformity mark | CE, EAC |

VARIOPLAST I

672182.002 | Stand-by luminaires for escape route illumination

Accessories



982195.002
Display cover



982354.002
Suspension system



982477.014

Spareparts



08-22070.002
Replacement diffuser