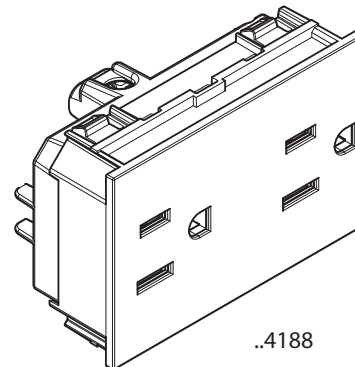
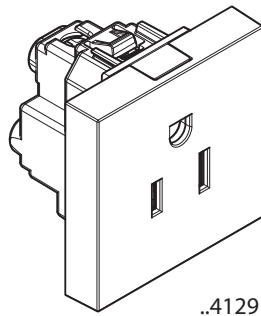


Socket outlets - American standard



Use

Socket outlets for: American standard plugs.

Connection

Terminal type: screw clamp
Terminal capacity: 2 x 4 mm² max
Stripping length: 11 mm
Compatible with flexible or rigid cables

Range

| Designation | Item | Related cover |
|---|--|--|
| Socket 2P 15A 127/250 V a.c. shielded holes | <input type="checkbox"/> KW4129 | <input type="checkbox"/> KW51 |
| | <input checked="" type="checkbox"/> KG4129 | <input checked="" type="checkbox"/> KG51 |
| | <input type="checkbox"/> KM4129 | <input type="checkbox"/> KM51 |
| Socket duplex 2P+T 15 A 127/250 V a.c. shielded holes | <input type="checkbox"/> KW4188 | <input type="checkbox"/> KW52 |
| | <input checked="" type="checkbox"/> KG4188 | <input checked="" type="checkbox"/> KG52 |
| | <input type="checkbox"/> KM4188 | <input type="checkbox"/> KM52 |

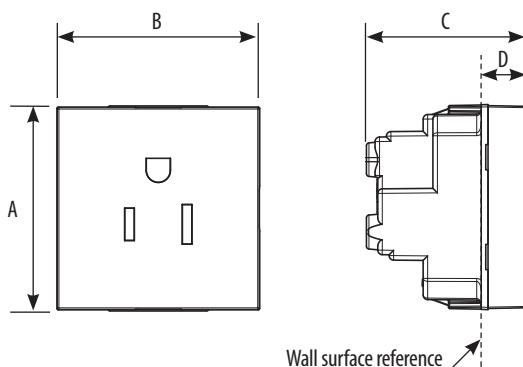
Colours code:

- White
- Black
- Sand

Technical characteristics

- **Protection index**
(considering a complete installation, including cover plate)
Penetration by solid bodies/liquid: IP20D considering complete installation
- **Mechanical characteristics**
Impact test: IK 04
- **Material characteristics**
Material:
Case and Key cover: PC (Polycarbonate)
Halogen free.
UV resistant.
Self-extinguishing:
850° C / 30 s for insulating parts holding live parts in place
650° C / 30 s for other parts made of insulating materials
- **Electrical characteristics**
Voltage: 127/250 VAC
Current: 16 A
- **Climatic characteristics**
Storage temperature: - 10° C to + 70° C
Use temperature: - 5° C to + 35° C

Overall dimensions (mm)



| | A | B | C | D |
|---------------|------|------|------|----|
| ..4128 | 45.2 | 44.7 | 35.3 | 10 |
| ..4188 | 45.2 | 67 | 34.4 | 10 |

Cleaning

Clean the surface with a cloth.
Do not use acetone, tar-removing cleaning agents or trichloroethylene.
Caution: Always test before using special cleaning products.

Standards and approvals

Compliance with standards IEC 60884-1
Refer to e.catalogue.