

Product Data Sheet

DX24263R

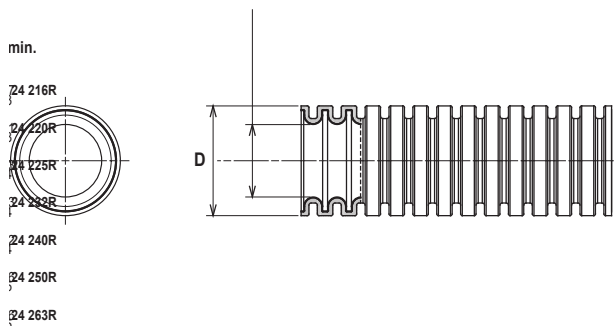
FK Range



Pliable protected conduit system range FKM SuperSpeed, with an internal layer for a high cable sliding speed (for diameters 20, 25, 32 mm). It is made in self-extinguishing PP: classification 33232, available in seven diameters from 16 to 63 mm. Suitable for electrical system and/or data transmission for installation: mainly flush-mounted in floors, walls and ceilings buried in concrete.

Colour	Grey	Material	PP self-extinguishing
Type	without cable puller	Conduits Ø (mm)	63
Resistance to compression	3 (Medium - 750 N)	Resistance to impact	3 (Medium - 2 J)
Lower temperature range	2 (-5 °C)	Upper temperature range	3 (+105 °C)
Resistance to bending	2 (Pliable)	Electrical characteristics	2 (With electrical insulating characteristics)
Protection against ingress of water	0	Resistance against corrosion	Not applicable to plastic conduit systems
Fire resistance	1 (Non-flame propagating)	Insulation resistance	100 MΩ a 500V for 1 minute
Protection against ingress of solid objects with GF coupling	4	Dielectric rigidity	2000 V a 50 Hz for 15 minutes
Minimum bending radius (mm)	300	Standard	EN 61386-1 (VDE 0605-1); EN 61386-22 (VDE 0605-22)

DIMENSIONAL



		D	
		0	
		0	
		0	
		0	
		0	
		0	
		0	

TECHNICAL SYMBOLOGY



3 (Medium - 750 N) 3 (Medium - 2 J)

STANDARDS/APPROVALS

