

# Product End-of-Life Instructions

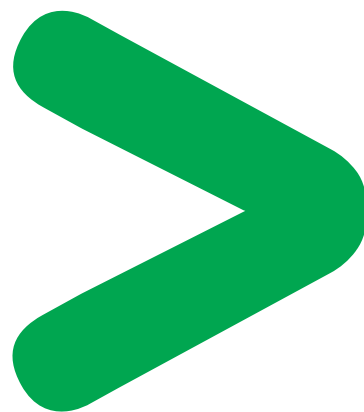
## Magelis Color Model

### Product Range

Magelis Color Model (4.3" touch panel with color screen)

### Marketing Model

HMISTO705, HMISTO715, HMISTO735, PFXGP4114T1D, PFXGP4115T1D, PFXGP4116T1D, PFXGP4114T2D, PFXGP4115T2D, PFXGP4116T2D



### Size in mm (H x L x D):

90.44 x 124.94 x 38.7 (without packaging)

132 x 182 x 66 (with packaging)

### Weight in g:

393.1 to 400.8

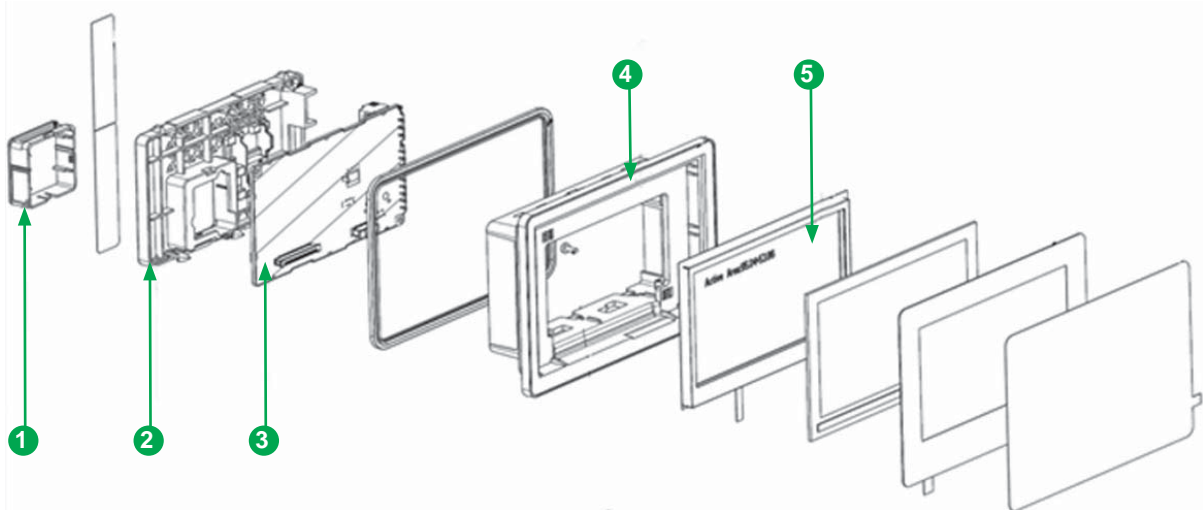


## Operations recommended for the end of life treatment

There are several steps to process the products at the end of life so as to recover components, materials or energy :

Reuse ⇒ Separation for special treatment ⇒ Other Dismantling ⇒ Shredding

The components of the products that optimize the recycling performances are listed, identified and located hereunder.



Recommendation	Number on drawing	Components	Weight (g)	Comment
Depollution	5	LCD	45	LCD
	3	PCBA	44.64	Electronic Board
Other dismantling	1	PC FR	2.93	MP HMI SE battery cover
	2	PC FR	22.14	MP HMI KILIN SE cover-TB
	4	PC FR	46.98	MP HMI KILIN SE housing-TB

### Schneider Electric Industries SAS

35, rue Joseph Monier  
CS30323  
F - 92506 Rueil Malmaison Cedex

RCS Nanterre 954 503 439  
Capital social 896 313 776 €  
www.schneider-electric.com

The version of the Guide used to create the document: End of Life Instruction Drafting Guide of Schneider Electric version V6.

Publication : Schneider Electric