

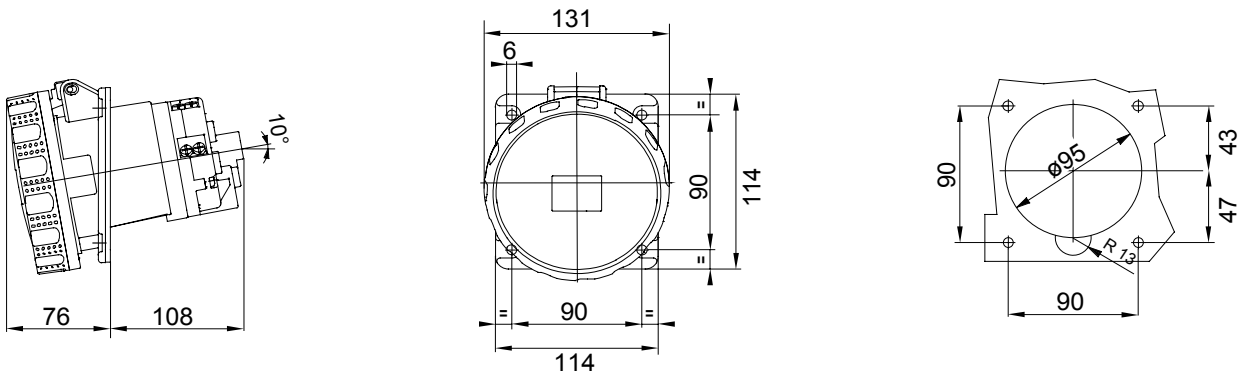


Flange dimensions (mm)	114x114	Type	10° angled flush-mounting socket-outlet
Cover dimensions mm	114x114	Insulation resistance	> 10 MΩ
Total number of operations	> 500	Thermo-pressure with ball	125 °C (active parts) - 80 °C (passive parts)
Breaking capacity at 1.1 Un	156 A	IP degree	IP67
No. of poles	3P+N+E	Mechanical resistance	IK08
Frequency	50/60 Hz	Terminal tightening capacity	16-50mm ² flexible cables - 25-70mm ² rigid cables
Operating temperature	-25 +55 °C	Type of wiring	With screw
Electrocod	2211	Glow wire test	850 °C (active parts) - 650 °C (passive parts)
Colour	Red	Rated current (A)	125
Reference h	6	Rated voltage	380-415 V

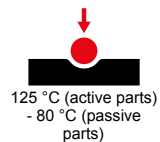
BEHAVIOUR WITH CHEMICAL AND ATMOSPHERIC AGENTS

Saline solution	Acids		Bases		Solvents				Mineral oil	UV rays
	Concentrated	Diluted	Concentrated	Diluted	Hexane	Benzol	Acetone	Alcohol		
Resistant	Not resistant	Limited resistance	Limited resistance	Resistant	Resistant	Resistant	Resistant	Resistente	Resistant	Resistant

DIMENSIONAL

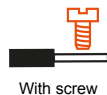
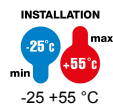


TECHNICAL SYMBOLOGY



IP
IP67

IK
IK08



GWT

850 °C (active parts)
- 650 °C (passive parts)

STANDARDS/APPROVALS

