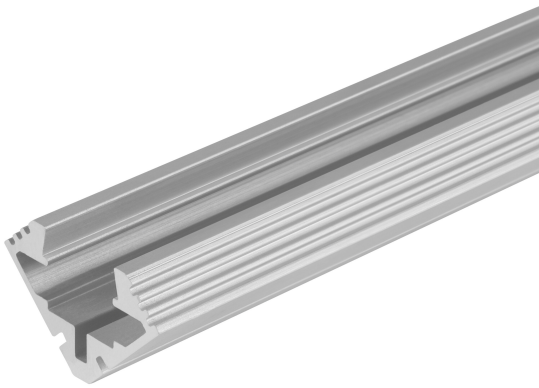


PRODUCT DATASHEET

LS AY -PM03/E/19X19/10/2

Medium Profiles for LED Strips | Medium Profiles for LED Strips



Areas of application

- General indoor illumination

Product benefits

- Robust aluminum profile
- Quick and simple installation

TECHNICAL DATA

Dimensions & Weight

Length	2000 mm
Width	19.0 mm
Height	19.0 mm
Product weight	580.00 g

Colors & materials

Product color	Grey
---------------	------

Temperatures & operating conditions

Ambient temperature range	-15...+45 °C
Temperature range in operation	-15...+45 °C

Additional product data

Product remark	Can be combined with SUPERIOR UNPROTECTED Strips / Cannot be combined with SUPERIOR PROTECTED Strips / Can be combined with PERFORMANCE UNPROTECTED Strips / Cannot be combined with PERFORMANCE PROTECTED Strips / Can be combined with VALUE UNPROTECTED Strips / Cannot be combined with VALUE PROTECTED Strips
----------------	--

LOGISTICAL DATA

Temperature range at storage	-35...+85 °C
------------------------------	--------------

LOGISTICAL DATA

Product code	Packaging unit (Pieces/Unit)	Dimensions (length x width x height)	Gross weight	Volume
4058075401716	BAG 1	2,000 mm x 22 mm x 12 mm	581.00 g	0.53 dm ³
4058075401723	Bundle 5	2,000 mm x 22 mm x 60 mm	2906.00 g	2.64 dm ³
4058075401730	Shipping box 25	2,040 mm x 155 mm x 110 mm	15232.00 g	34.78 dm ³

The mentioned product code describes the smallest quantity unit which can be ordered. One shipping unit can contain one or more single products. When placing an order, for the quantity please enter single or multiples of a shipping unit.

DISCLAIMER

Subject to change without notice. Errors and omission excepted. Always make sure to use the most recent release.