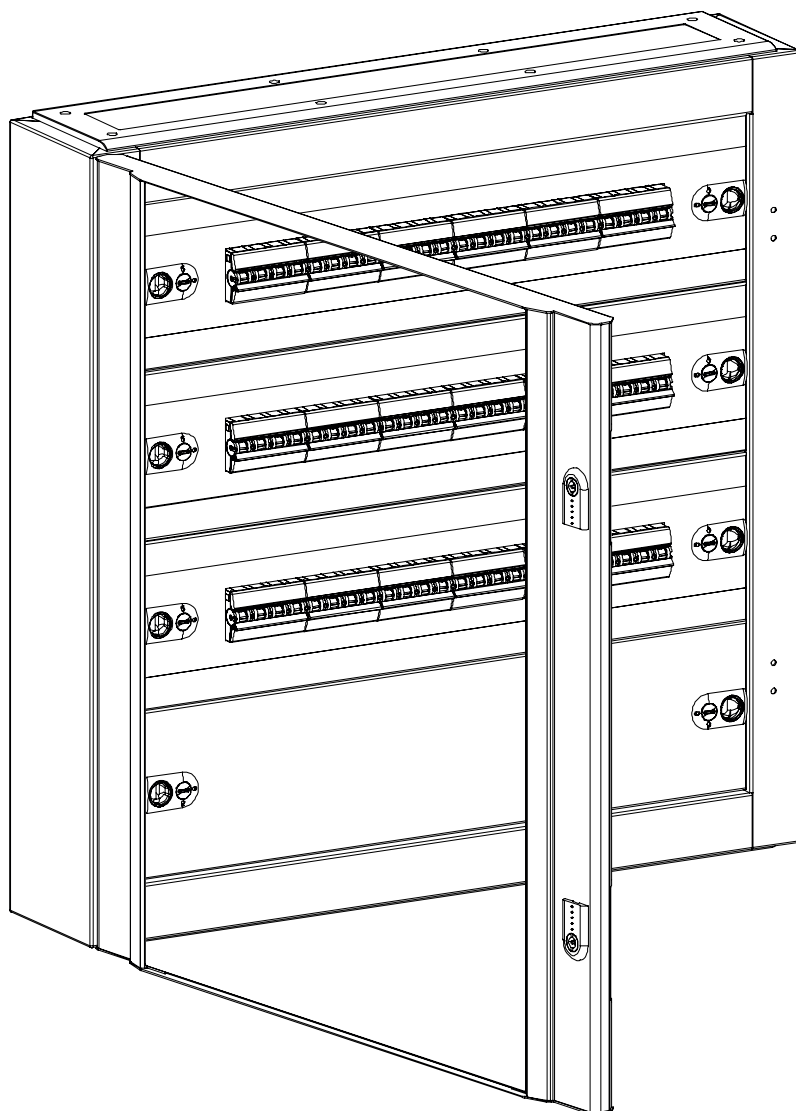


# 47 CVX 160E

# GEWISS

CE UK  
CA



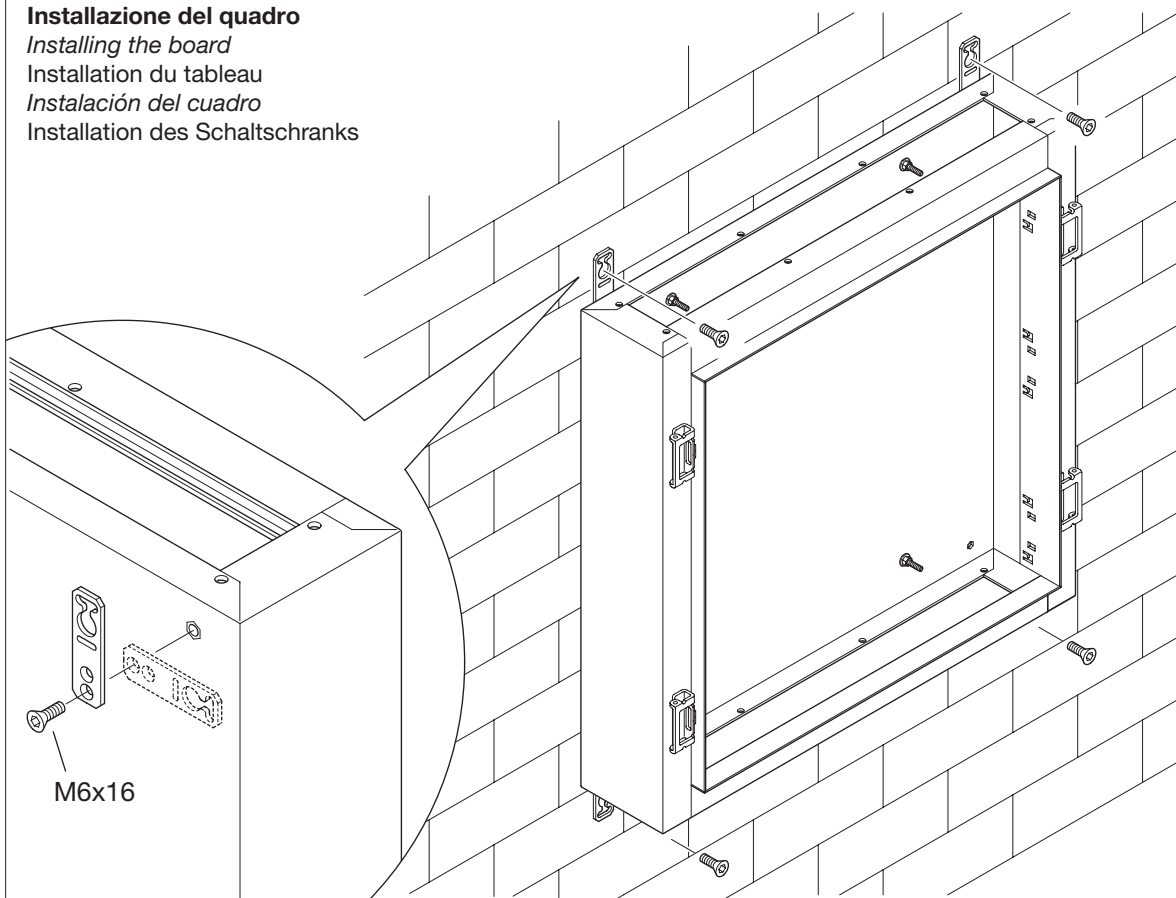
**Installazione del quadro**

*Installing the board*

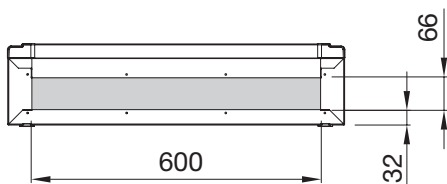
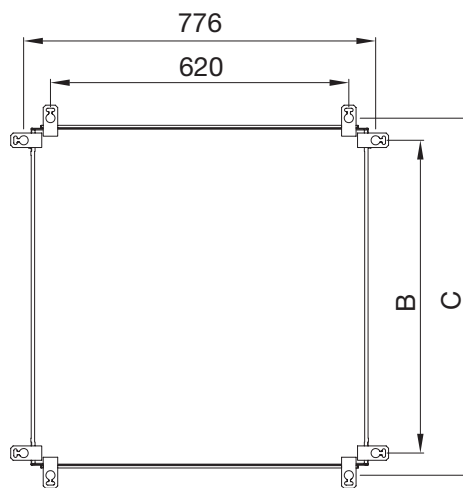
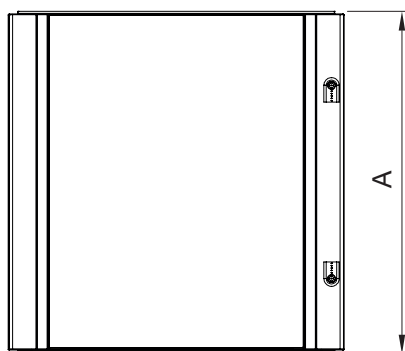
*Installation du tableau*

*Instalación del cuadro*

*Installation des Schaltschranks*



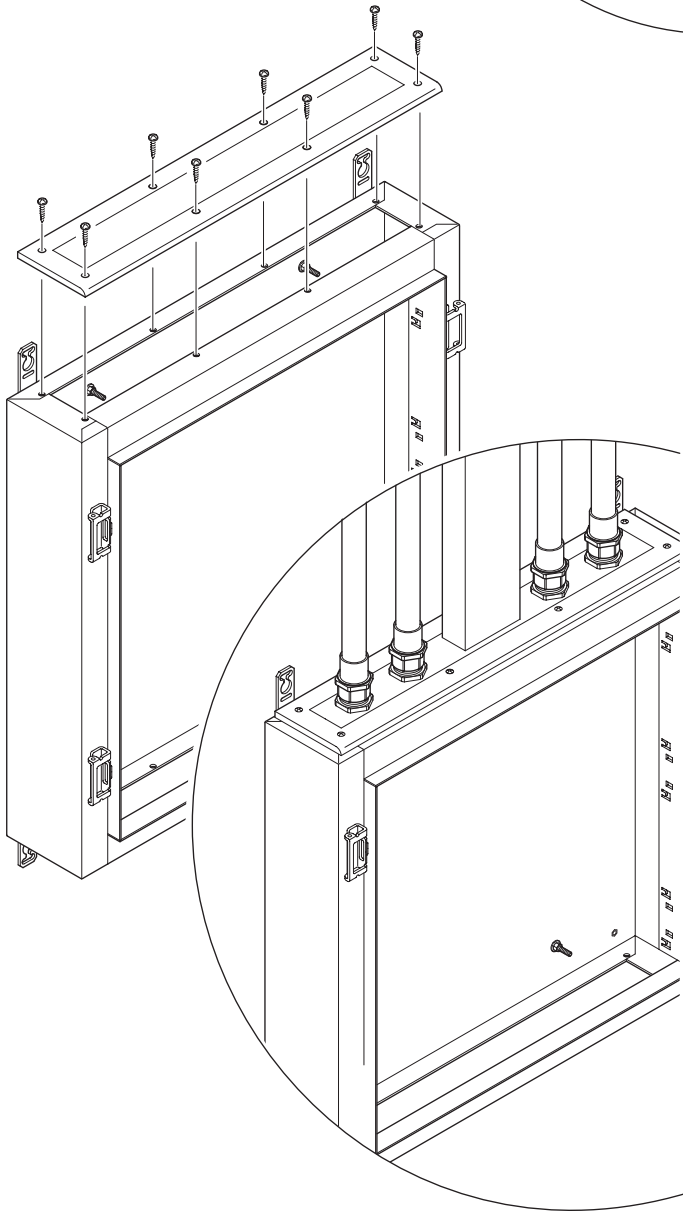
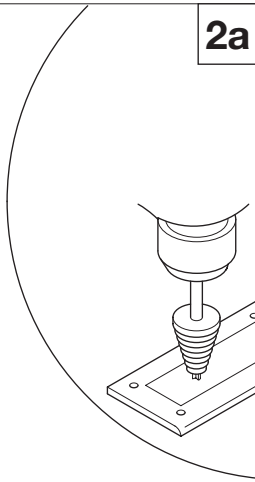
M6x16



A (mm)	B (mm)	C (mm)
700	650	776
900	850	976
1100	1050	1176
1300	1250	1376

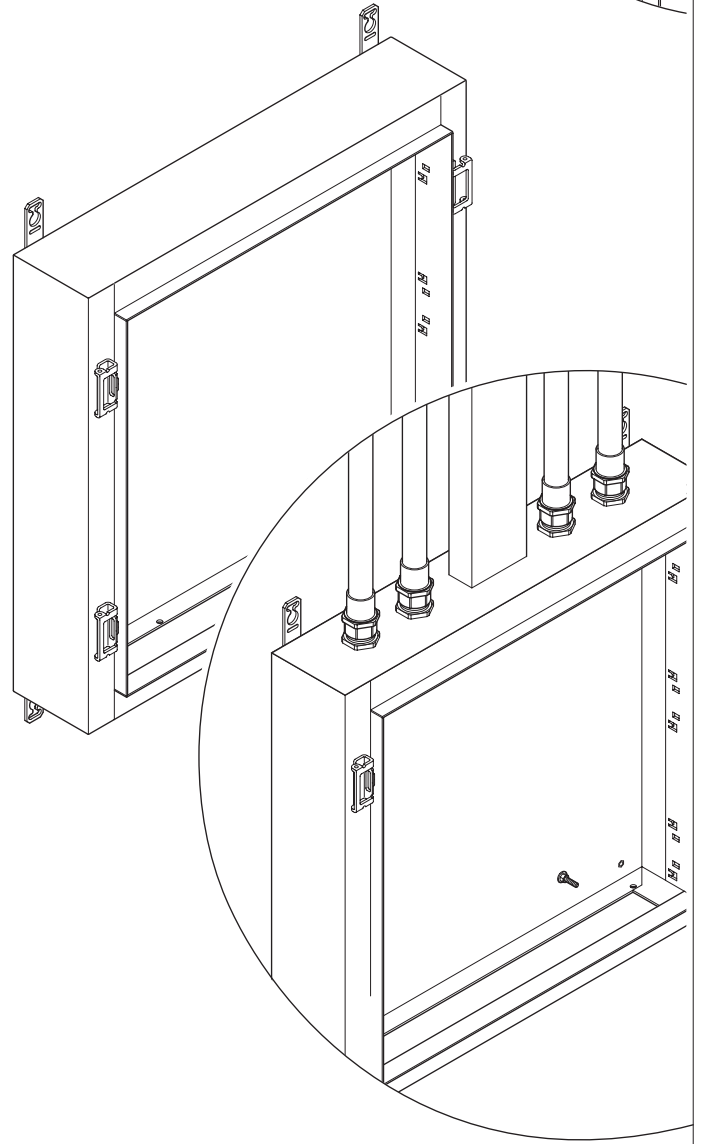
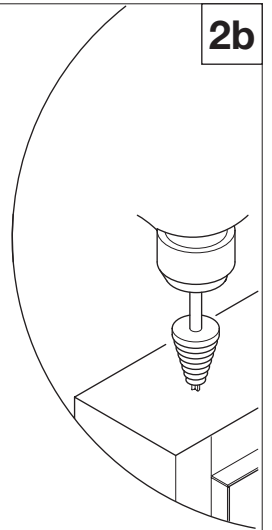
**Ingresso cavi IP30/40/55**  
Cable inlet IP30/40/55  
Entrée de câbles IP30/40/55  
Entrada cables IP30/40/55  
Kabeleingang IP30/40/55

**2a**



**Ingresso cavi IP65**  
Cable inlet IP65  
Entrée de câbles IP65  
Entrada cables IP65  
Kabeleingang IP65

**2b**



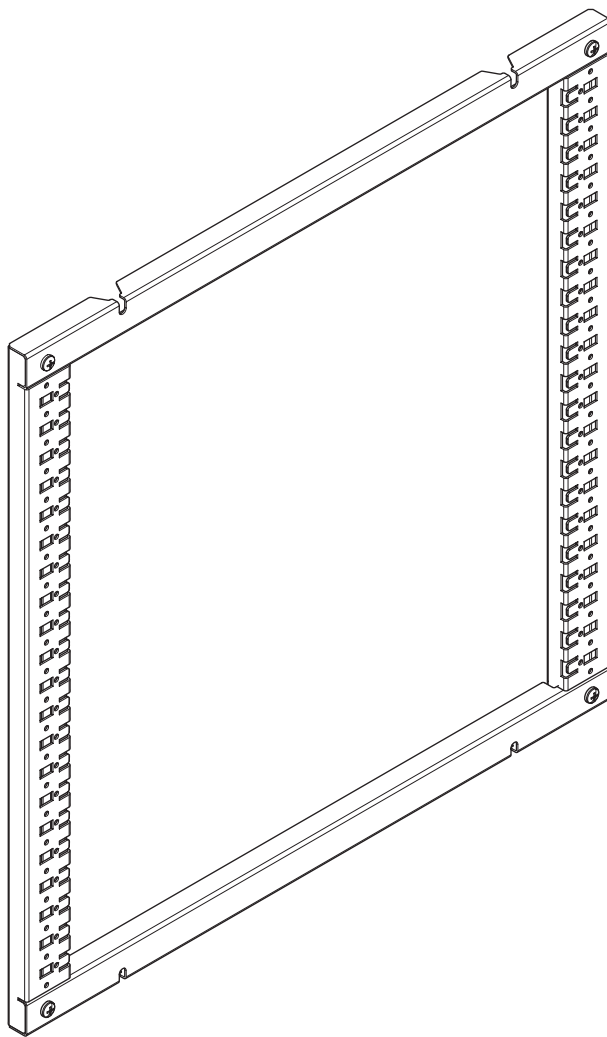
**Montaggio del sistema funzionale**

*Fitting the working system*

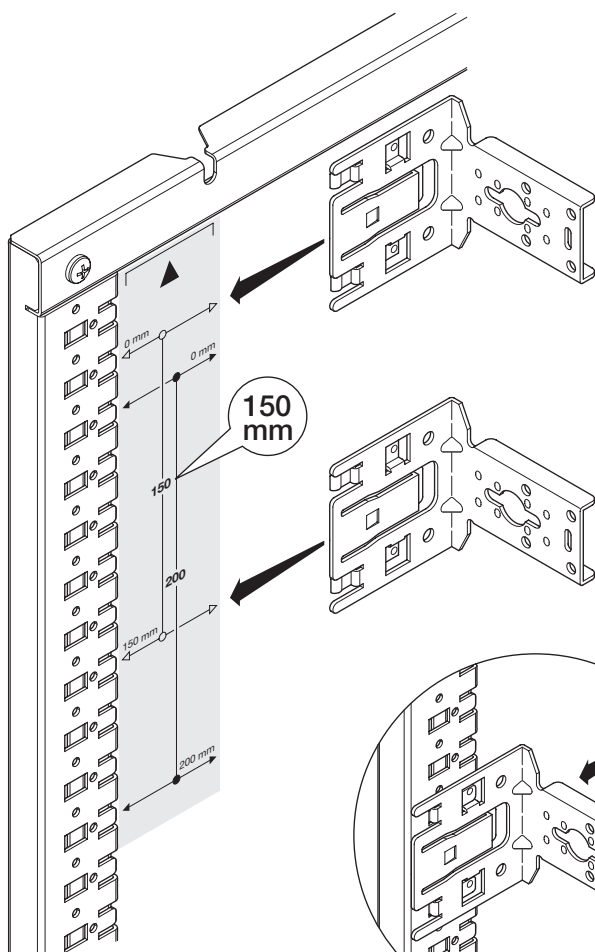
Montage du système fonctionnel

Montaje del sistema funcional

Montage des Funktionssystem

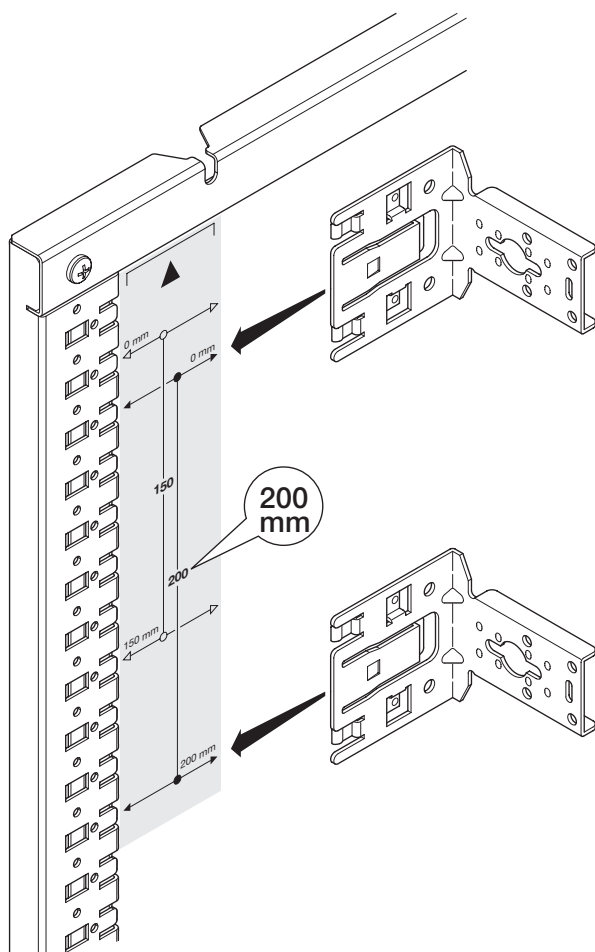


1



150 mm

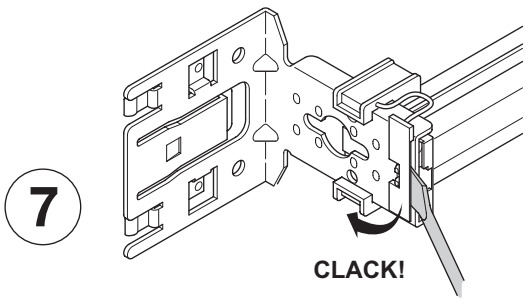
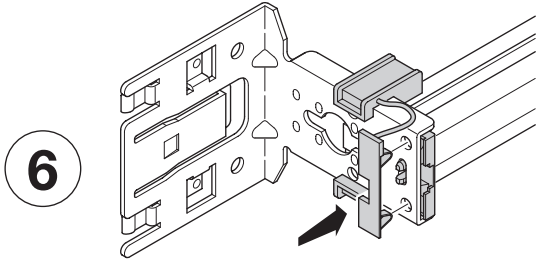
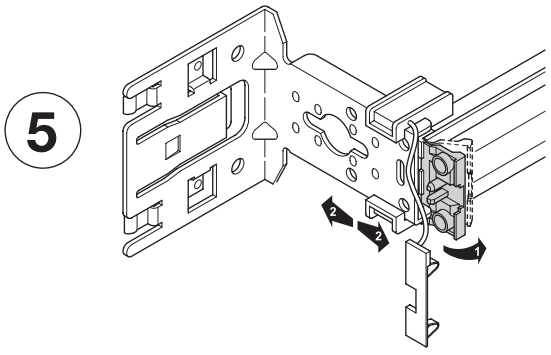
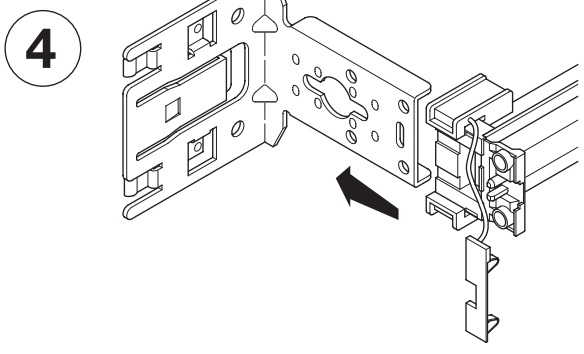
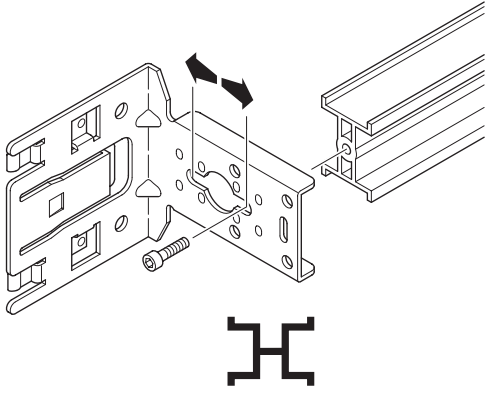
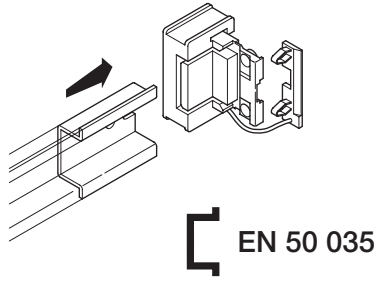
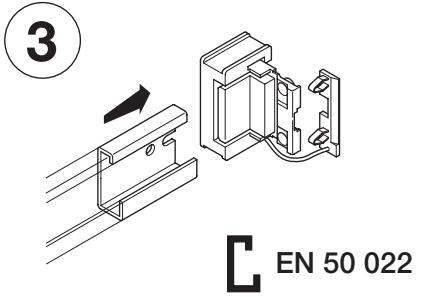
2



200 mm

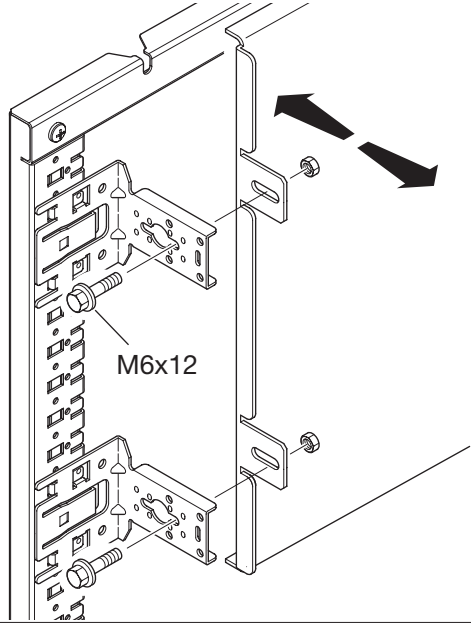
**Montaggio del sistema funzionale**

*Fitting the working system*  
Montage du système fonctionnel  
*Montaje del sistema funcional*  
Montage des Funktionssystems



**Montaggio della piastra di fondo**

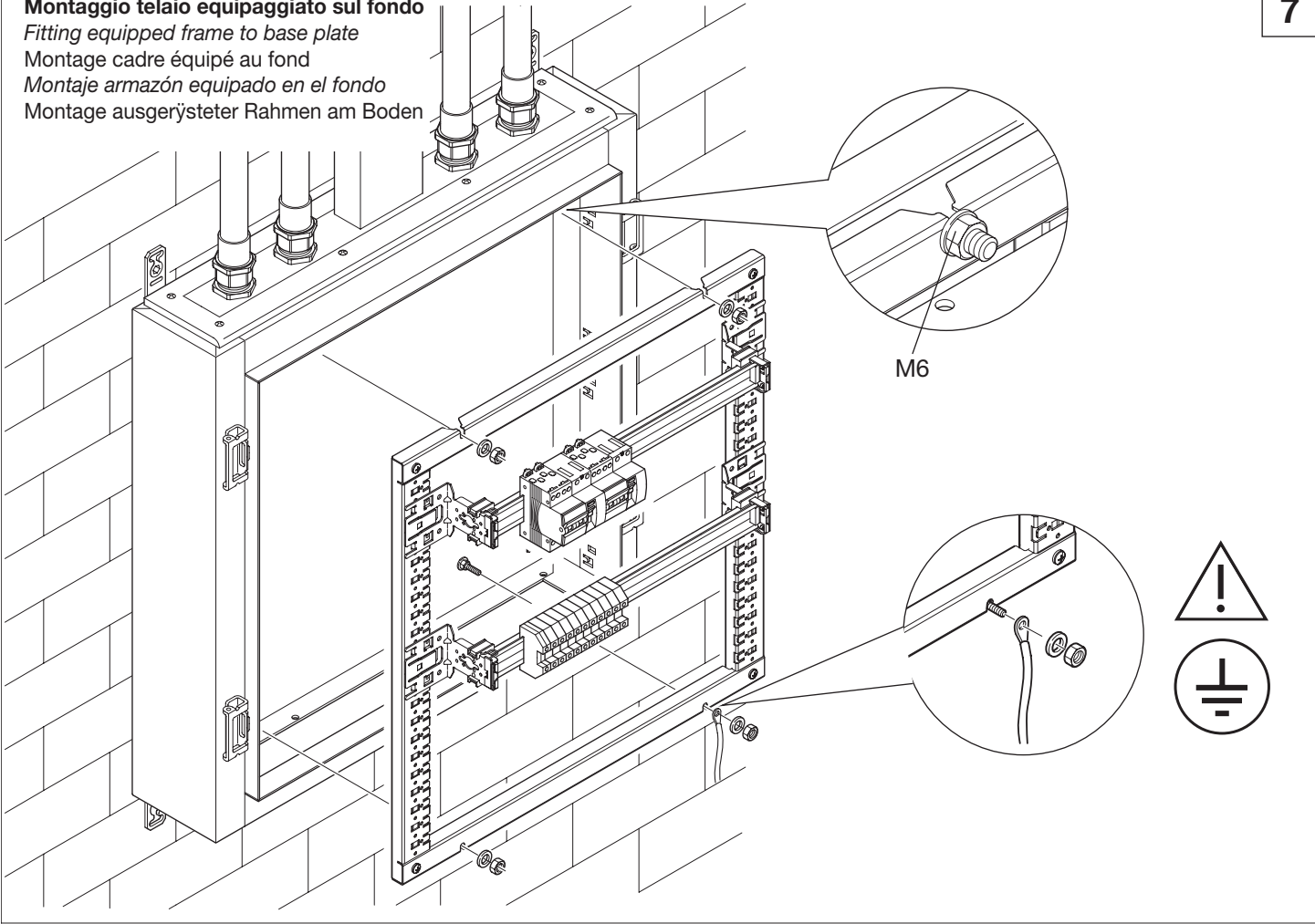
*Fitting the base plate*  
Montage de la plaque de fond  
*Montaje de la placa de fondo*  
Einbau der Montageplatte





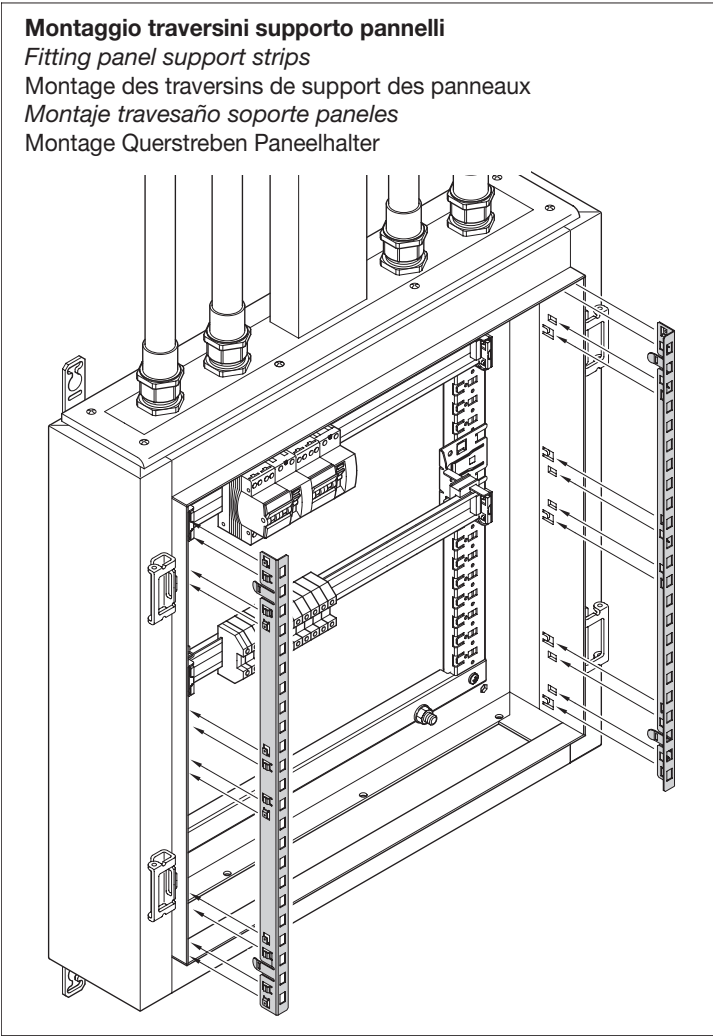
**Montaggio telaio equipaggiato sul fondo**

*Fitting equipped frame to base plate*  
*Montage cadre équipé au fond*  
*Montaje armazón equipado en el fondo*  
*Montage ausgerüsteter Rahmen am Boden*



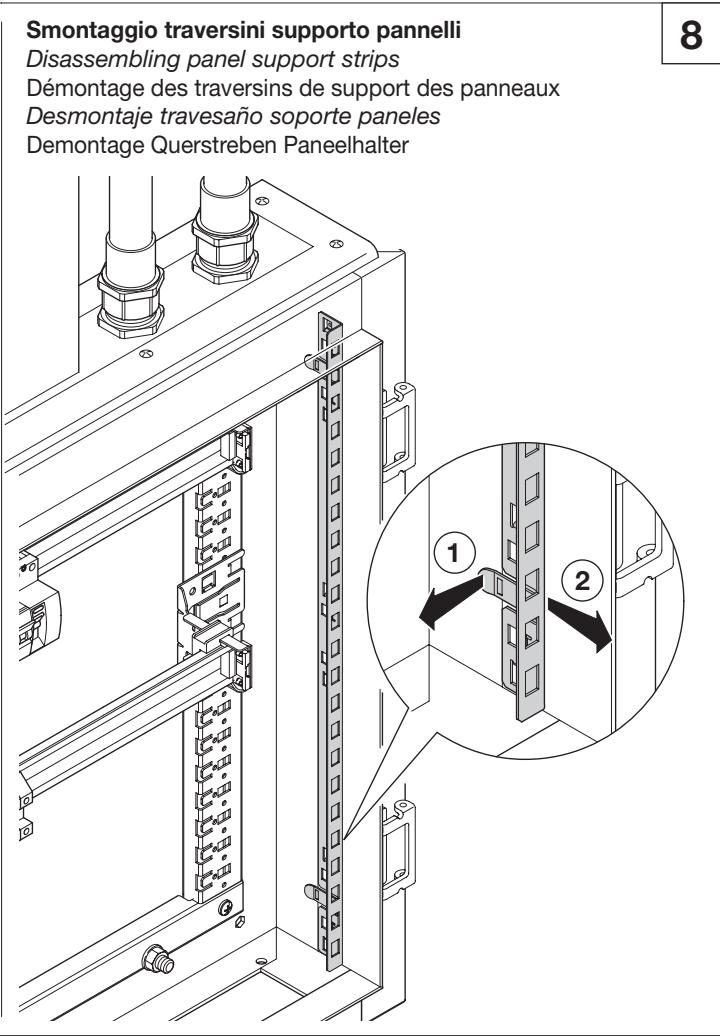
**Montaggio traversini supporto pannelli**

*Fitting panel support strips*  
*Montage des traversins de support des panneaux*  
*Montaje travesaño soporte paneles*  
*Montage Querstreben Paneelhalter*



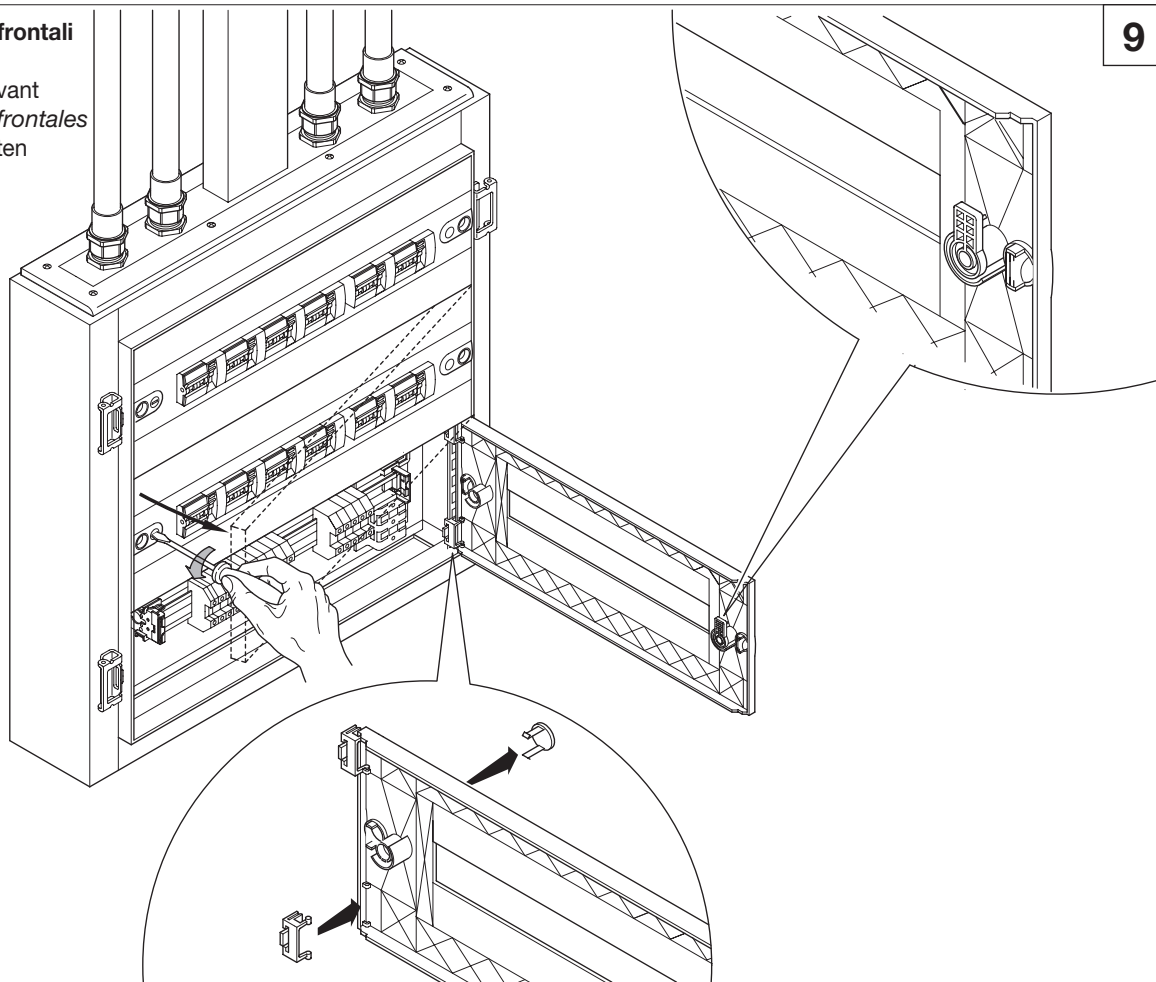
**Smontaggio traversini supporto pannelli**

*Disassembling panel support strips*  
*Démontage des traversins de support des panneaux*  
*Desmontaje travesaño soporte paneles*  
*Demontage Querstreben Paneelhalter*





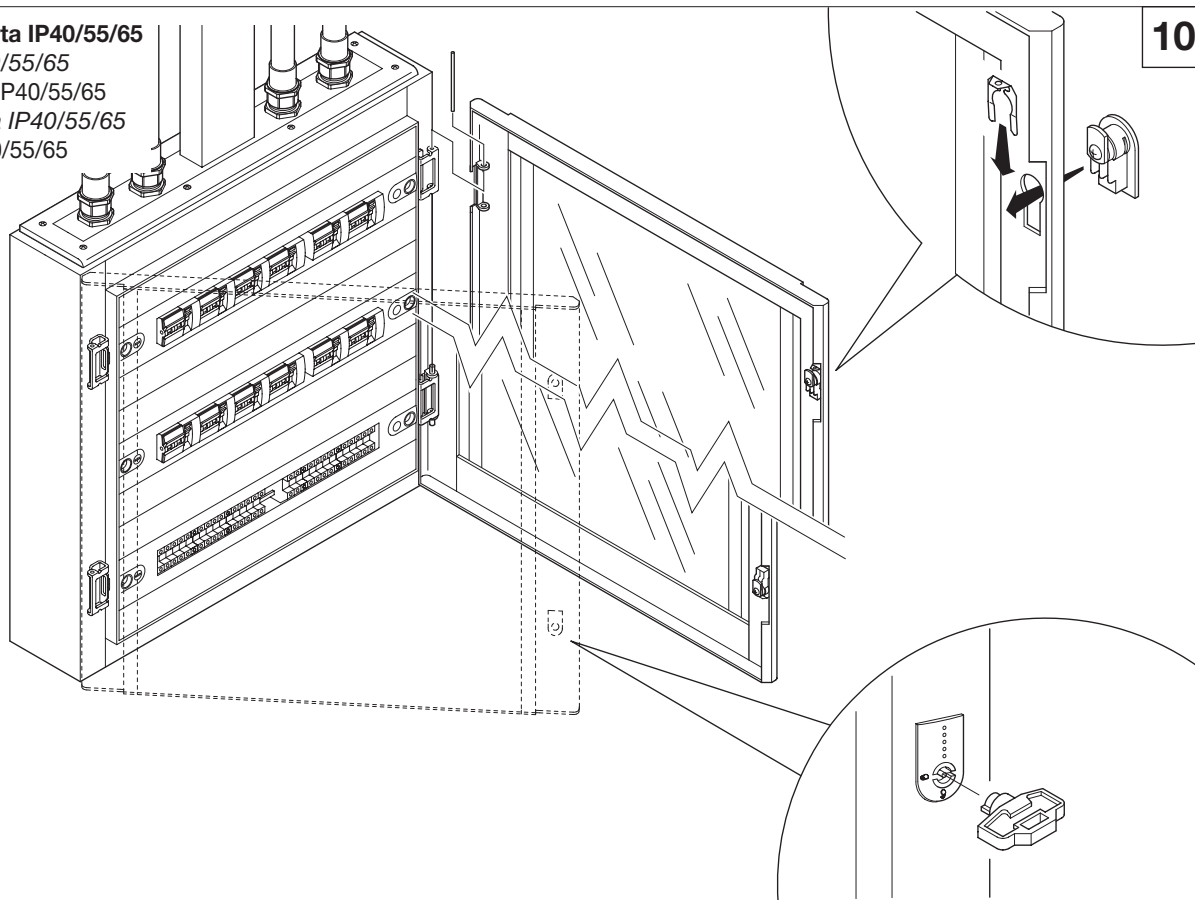
**Montaggio dei pannelli frontali**  
*Fitting the front panels*  
 Montage des plastrons avant  
 Montaje de los paneles frontales  
 Montage der Abdeckplatten



9

7.43.3.216.4

**Montaggio della porta IP40/55/65**  
*Fitting the door IP40/55/65*  
 Montage de la porte IP40/55/65  
 Montaje de la puerta IP40/55/65  
 Montage der Tür IP40/55/65



10

Punto di contatto indicato in adempimento ai fini delle direttive e regolamenti UE applicabili:  
 Contact details according to the relevant European Directives and Regulations:  
 GEWISS S.p.A. Via A.Volta, 1 IT-24069 Cenate Sotto (BG) Italy tel: +39 035 946 111 E-mail: qualitymarks@gewiss.com

According to applicable UK regulations, the company responsible for placing the goods in UK market is:  
 GEWISS U.K. LTD - Unity House, Compass Point Business Park, 9 Stockbridge way, St. Ives  
 Cambridgeshire, PE27 5JL, United Kingdom tel: +44 1954 712757 E-mail: gewiss-uk@gewiss.com



**+39 035 946 111**  
 8.30 - 12.30 / 14.00 - 18.00  
 lunedì ÷ venerdì - monday ÷ friday



**+39 035 946 260**



**sat@gewiss.com**  
**www.gewiss.com**

ULTIMA REVISIONE 01/2022