

KS SK A NS VP33XYL (VP33XYL)

- Short-circuiting bars can be configured online via the earthing and short-circuiting configurator

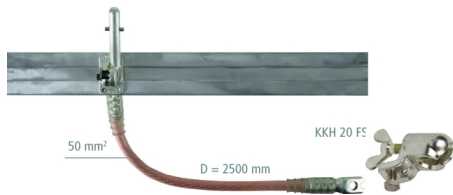


Figure without obligation

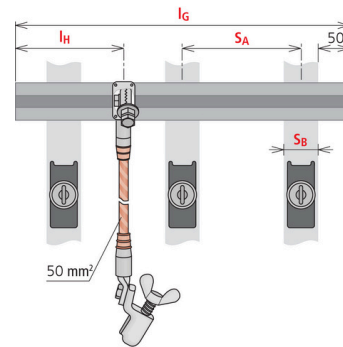


Figure without obligation

Type	KS SK A NS VP33XYL
Part No.	VP33XYL
Application	LV
Coupling mechanism	SK
Position of the coupling mechanism (l_H)	175 mm
Profile	60 x 12 mm
Height	60 mm
Width	12 mm
Total length (l_G)	500 mm
Bar spacing (S_A)	150 mm
Max. short-circuit current I_k 0.5 s	90 kA
Max. short-circuit current I_k 1 s	64 kA
For	Low-voltage installations
Standard	EN/IEC 61230 (DIN VDE 0683-100)
Temperature range	-25 °C ... +55 °C
Material (Short-Circuiting Bar)	Aluminium
Material (cable)	Highly flexible copper
Cable cross-section	50 mm ²
Cable length	2500 mm
Weight	10 kg
Customs tariff number	85359000
GTIN	4013364450875
PU	1 Stk

Important: Please state the unique Variant No. when ordering.

Note: Other types can be configured online via the earthing and short-circuiting configurator

We reserve the right to introduce changes in performance, configuration and technology, dimensions, weights and materials in the course of technical progress. The figures are shown without obligation.

Two coupling mechanisms are required for a total length > 1000 mm.

Note: When ordering, please specify the Variant No. generated online via the earthing and short-circuiting configurator.