

## SE NH2 3 (785 644)

- For indoor installations
- Protection against reconnection
- With "Nicht schalten" symbol [Do not close the circuit] acc. to national regulations (VGB 125)
- Insulating blade for NH fuse holders and distribution blocks



Figure without obligation

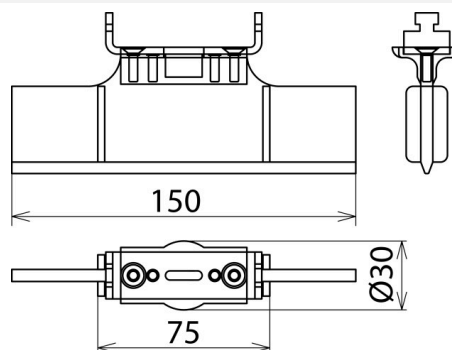


Figure without obligation

Type	SE NH2 3
Part No.	785 644
Nominal voltage (U <sub>N</sub> )	Up to 1000 V
Size	2 and 3
Blade	38 x 5 mm
Dimensions	150 mm
Standard	VGB 125 and DIN 40008
Use	For indoor installations
Weight	80 g
Customs tariff number	85369095
GTIN	4013364087927
PU	10 Stk

We reserve the right to introduce changes in performance, configuration and technology, dimensions, weights and materials in the course of technical progress. The figures are shown without obligation.