

# MONA 3

WQJP04006

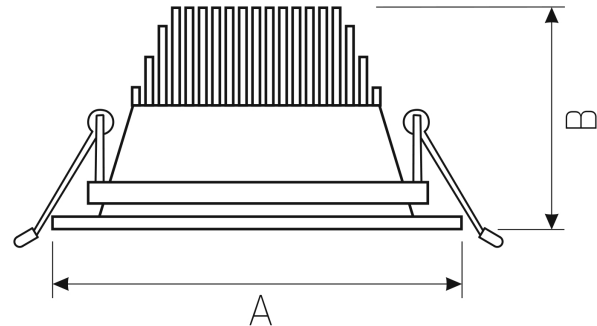
LED luminaire MONA 3, with a power of 35 W, high light efficacy 125 lm/W. It is made of high-quality components, supported by a 5-year warranty. It shines with a warm light (3000K), which promotes relaxation and rest, making the illuminated room cosier. Narrow beam angle 15° gives directional light so that selected objects or surfaces can be better exposed. Designed for recessed mounting.



Power	<b>35 W</b>	Voltage	<b>230 V</b>
Colour temperature	<b>3000 K</b>	Colour of light	<b>WW</b>
Beam angle	<b>15 °</b>	Degree of protection (IP)	<b>IP20</b>

## Technical data

Code	W0JP04006
Power	35 W
Nominal current	167.4 mA
Voltage	230 V
Energy consumption	35 kWh/1000h
Frequency	50HZ Hz
Protection class	II
Power supply included	+
Manufacturer of power supply	OSRAM
Power factor	0.93
Useful luminous flux*	4375 lm (360°)
Luminous flux**	3850 lm (360°)
Lamp efficacy	125 lm/W
Colour temperature	3000 K
Colour of light	WW
Beam angle	15 °
RA	80
Light source included	+
Producer of LED diodes	CREE
Uniformity of color SDCM max	3
Dimmable	DALI
Working temperature range	-20/+40 °
Lifespan	50000 h
Housing material	Aluminum
Degree of protection (IP)	IP20
Colour	White
Dimension (AxBxC)	180x130 mm
Mounting hole	Ø145 mm
For use	Inside
Assembly method	Recessed
Application	Inside
Made in	PL



## Related documents



 Photometric file



 3D model