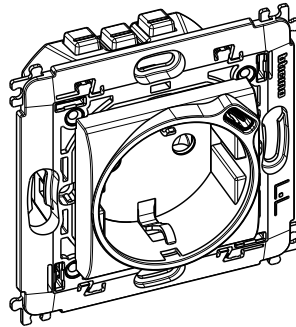


LIVING-LIGHT
2P+E+typeC mixed socket outlet
L4141GE4 - N4141GE4 - NT4141GSB

Use

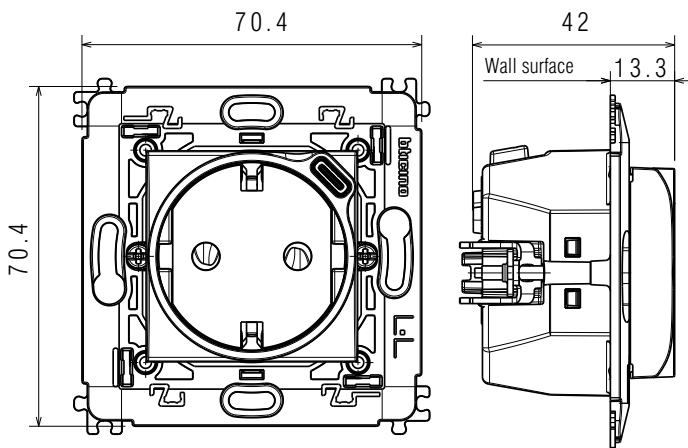
2 P+E socket outlets with child protection.
 USB Type C socket: for recharging portable devices such as phones, smartphones, tablets, MP3, MP4, loudspeakers, watches, game consoles, powerbanks.
 Recessed mounting in box depth 40 mm min.
 Claw and/or screw fixing.
 To be equipped with related cover and plate.

Range

Designation	Cat. Nos.
Mixed socket composed of:	
- 2 P+E socket outlet - 16 A - 250 V~	<input type="checkbox"/> N4141USB
- single USB socket - 5 V=- 1.5 A - 7.5 W	<input type="checkbox"/> NT4141USB
Supplied with support (spacing 71 mm)	<input type="checkbox"/> L4141USB

Colours code:

- White
- Tech
- Anthracite

Overall dimensions (mm)

Connection

- **2 P+E socket outlet**
 Terminal Type: automatics
 Terminal capacity: 2 x 2.5 mm²
 Stripping length: 11 mm
 Flexible or rigid cables compatible
- **Type C USB socket**
 Prewired socket

Technical characteristics
- Mechanical characteristics

Protection against impact: IK 04
 Protection against solid bodies and liquids: IP 20D

- Material characteristics

Mechanism casing: PC
 Cover plate: ABS Support: PC
 Claws: Steel

Halogen free

UV resistant

Self-extinguishing:

850° C / 30 s for insulating parts holding live parts in place
 650° C / 30 s for other parts made of insulating materials.

- 5.3 Electrical characteristics 2 P+E socket

Voltage: 250 V~
 Current: 16 A
 Frequency: 50/60 Hz

- 5.4 Electrical characteristics USB socket

Integrated surge protection

All values listed below are measured at an ambient temperature of + 25° and after 15 minutes of operation.

Connector	USB Type C
Nominal input voltage	250 V~
Nominal input frequency	50-60 Hz
Nominal input current	200 mA
Stand-by power consumption	0.07 W - 0.075 mA - 7.5 W
Nominal output voltage	5 V=-
Nominal output current	1.5 A
Efficiency can meet energy star level "VI" (≥ 76% measured at USB socket output side)	
Safety standard	EN62368-1
Protection class	II - Low voltage

2P+E+typeC mixed socket outlet

5. TECHNICAL CHARACTERISTICS *(continued)*

Climatic characteristics

Storage temperature: - 10° C to + 70° C

Use temperature: - 5° C to + 35° C

6. CLEANING

Clean the surface with a cloth.

Do not use acetone, tar-removing cleaning agents or trichloroethylene.

Caution: Always test before using special cleaning products.

The plates must not be painted.

7. STANDARDS AND APPROVALS

Compliant with installation and manufacturing standards.

See e-catalogue.