

Product Data Sheet

GWD4218

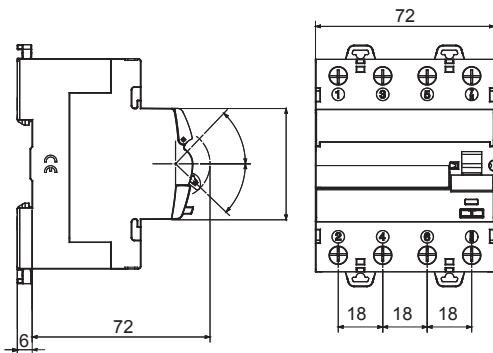
90 RCD Range



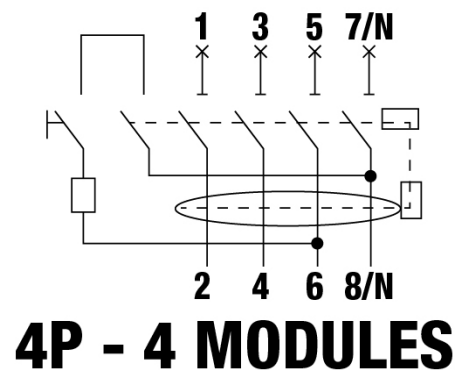
| Description | RESIDUAL CURRENT CIRCUIT BREAKER |
|---|----------------------------------|
| Code | IDP |
| No. of poles | 4P |
| No. modules | 4 |
| Rated current | 25 A |
| Rated residual operating current | 300 mA |
| Type | A[IR] |
| Rated voltage (EN/IEC 61008-1, 61008-2-1) | 400/415 V |

| | | | |
|---------------------------|-----------------------------------|---------------------------------|-----------------------------------|
| Standard | IEC/EN 61008-1, IEC/EN 61008-2-1 | Rated frequency (Hz) | 50/60 Hz |
| Insulation voltage | 500 V | Rated impulse withstand voltage | 4 kV |
| Overvoltage category | III | Level of immunity (8/20 μs) | 3000 A |
| Section rigid cable | <=1x35 - <=2x16 - <=1x16+2x10 mm² | Section flexible cable | <=1x35 - <=2x16 - <=1x16+2x10 mm² |
| Rated tightening torque | 3 Nm | Double connection | YES (up stream and down stram) |
| Operating temperature | -25 +60°C (40°C with derating) | Stocking temperature | -40 +70 °C |
| Electrical endurance | ≥ 10.000 | Mechanical endurance | ≥ 20000 |
| Auxiliaries compatibility | Yes | ReStart compatibility | Yes |
| Assembly position | Any | | |

DIMENSIONAL



WIRING DIAGRAM



STANDARDS/APPROVALS

