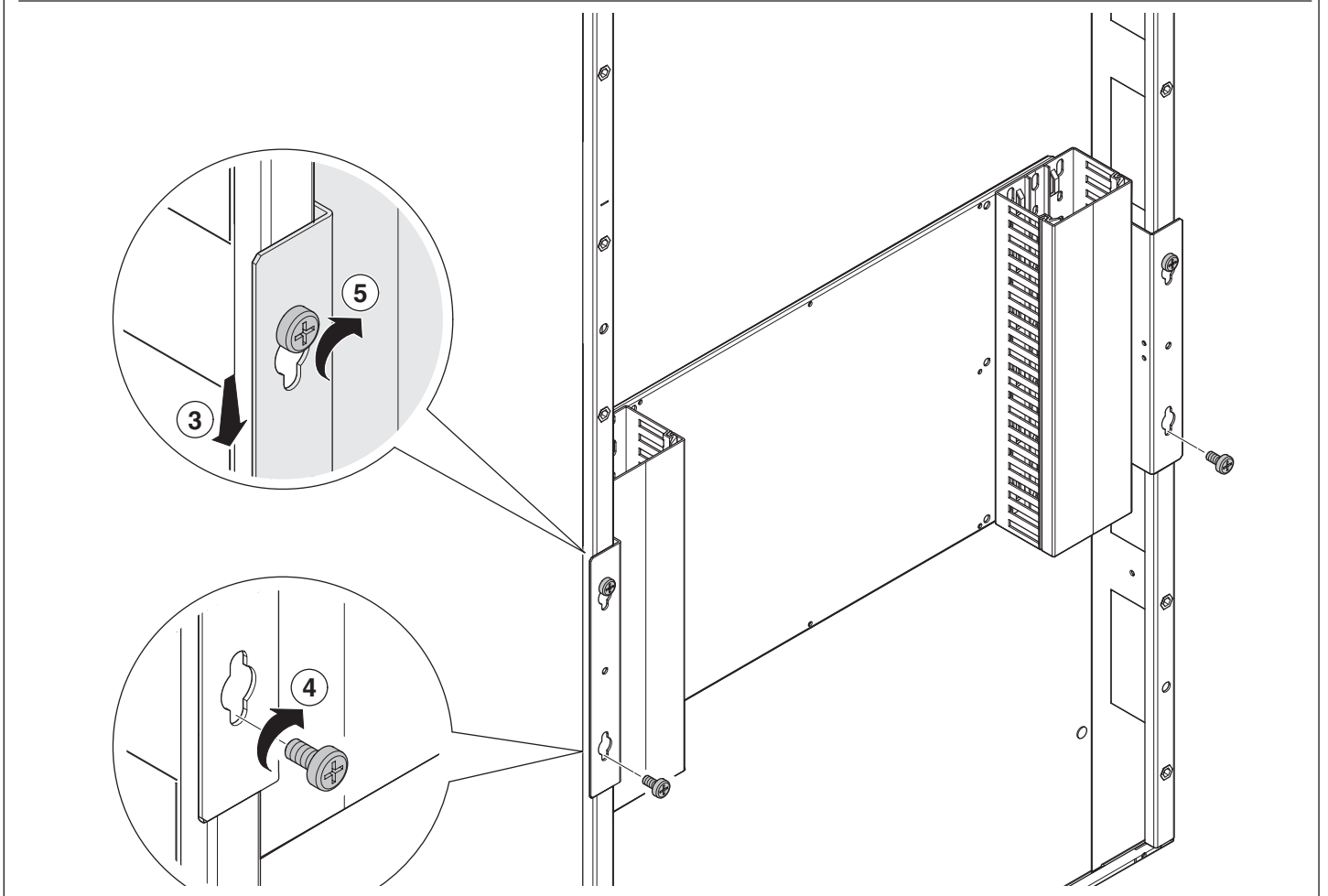
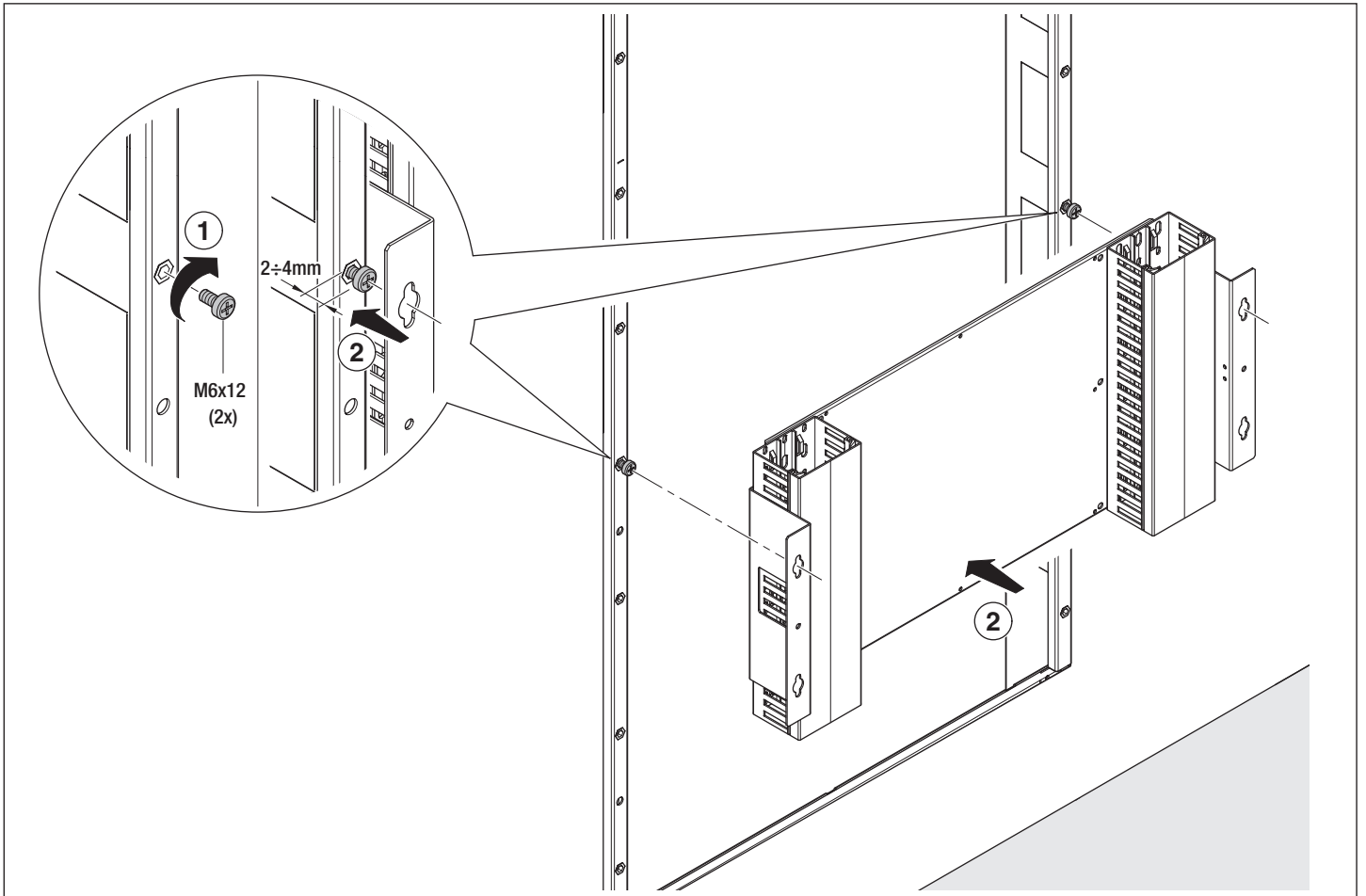
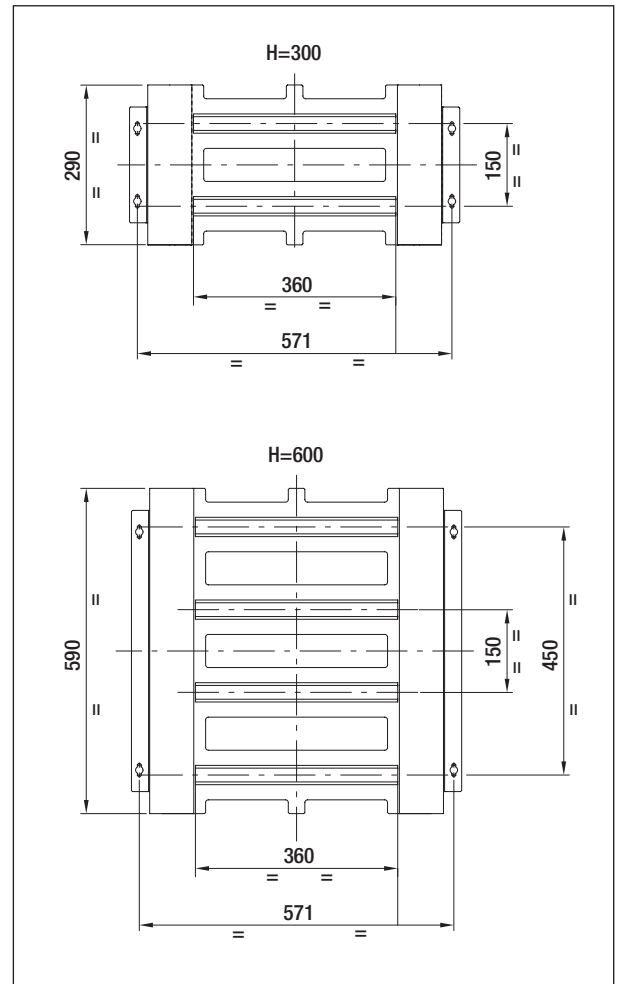
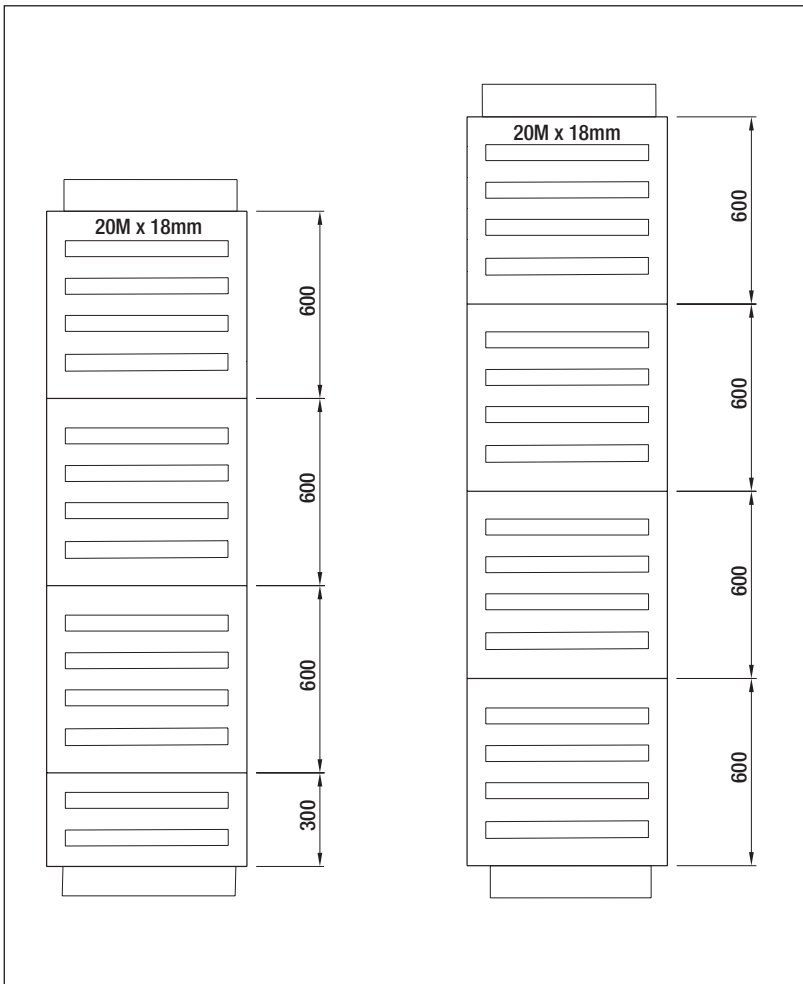
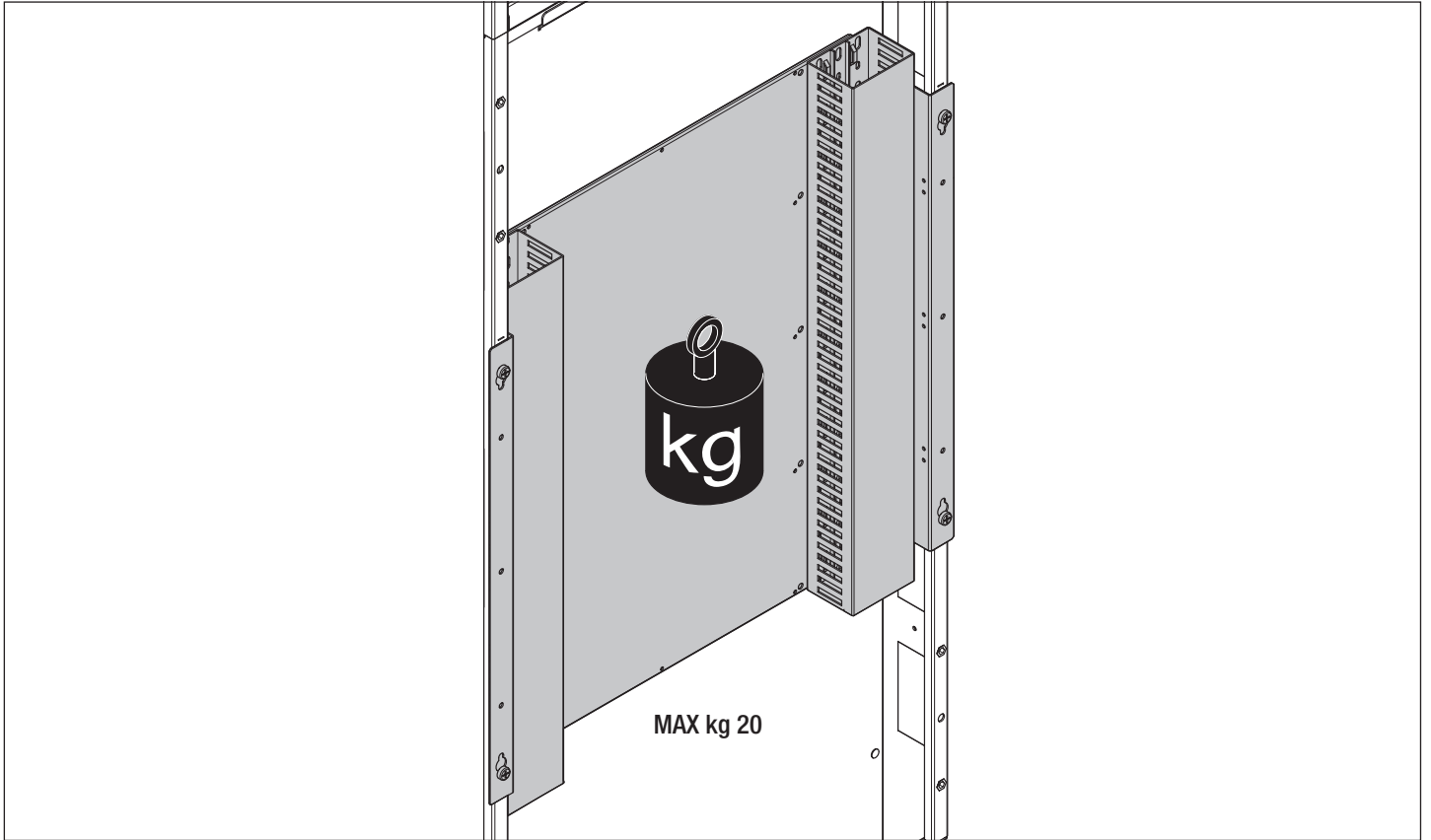
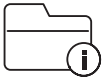


H 300	GW N1 012 2 DIN	GW N1 022	
	 n°20 x 18mm		
H 600	GW N1 014 4 DIN	GW N1 024	GW N1 031F
	 n°20 x 18mm		




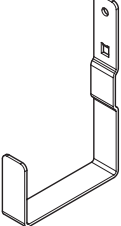
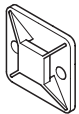
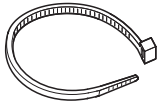



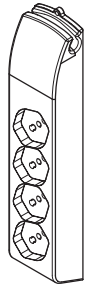









CEI 306-2
CEI 23-48
CEI 23-49
EN 60670-1
EN 60670-24
CEI 23-50
IEC 60884-1

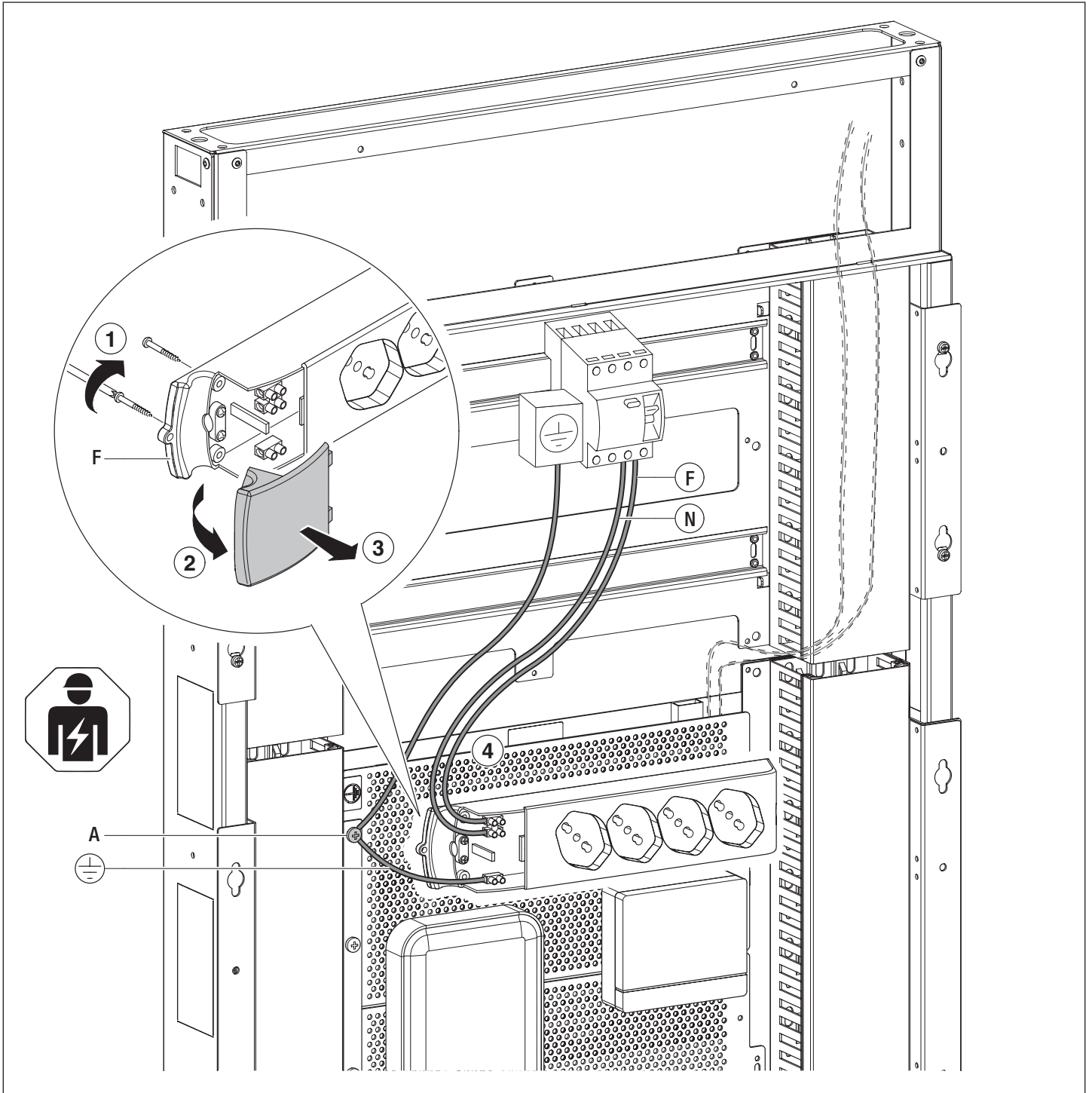
Pde	50W
Un	250V
Ui	750V



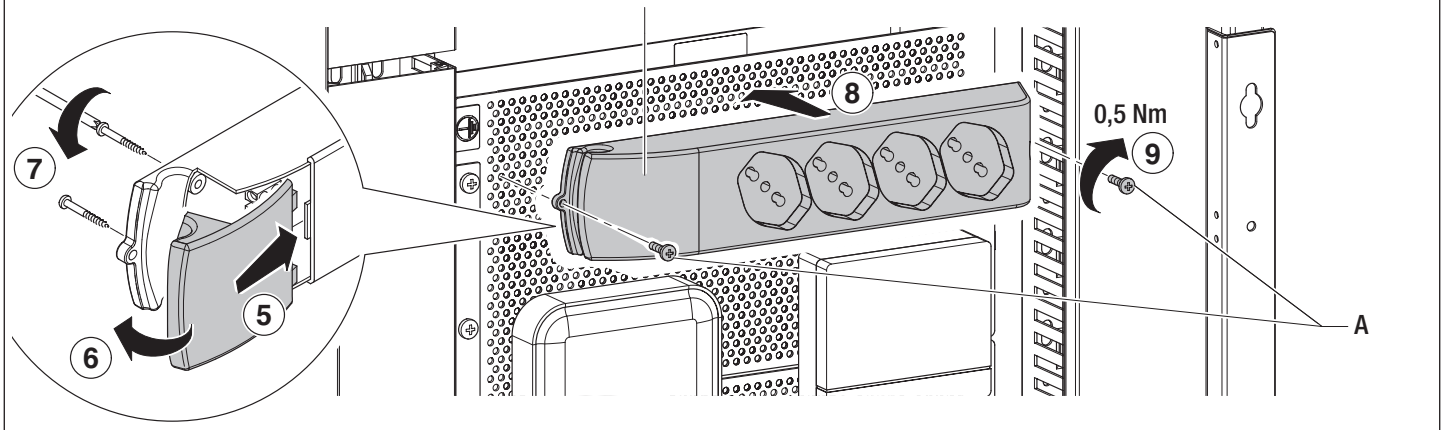
4x10					
A	B	C	D	E	
24	6	6	6	3	

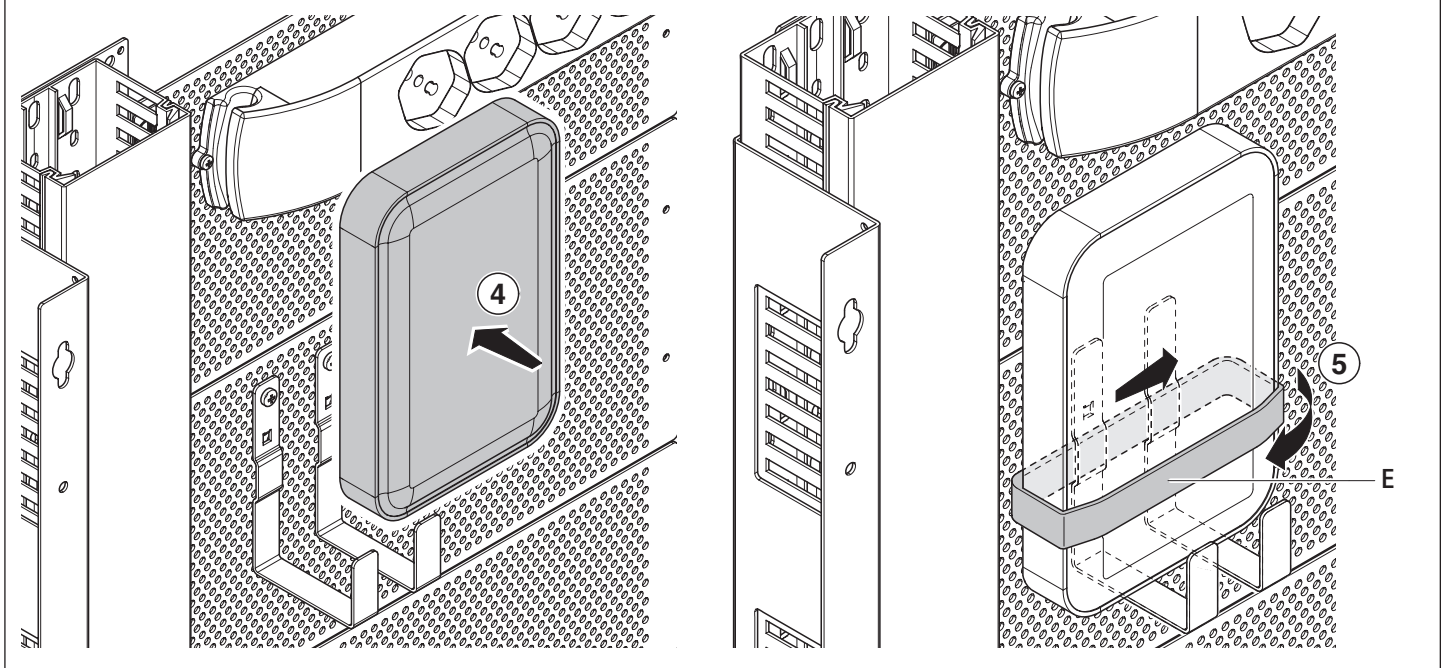
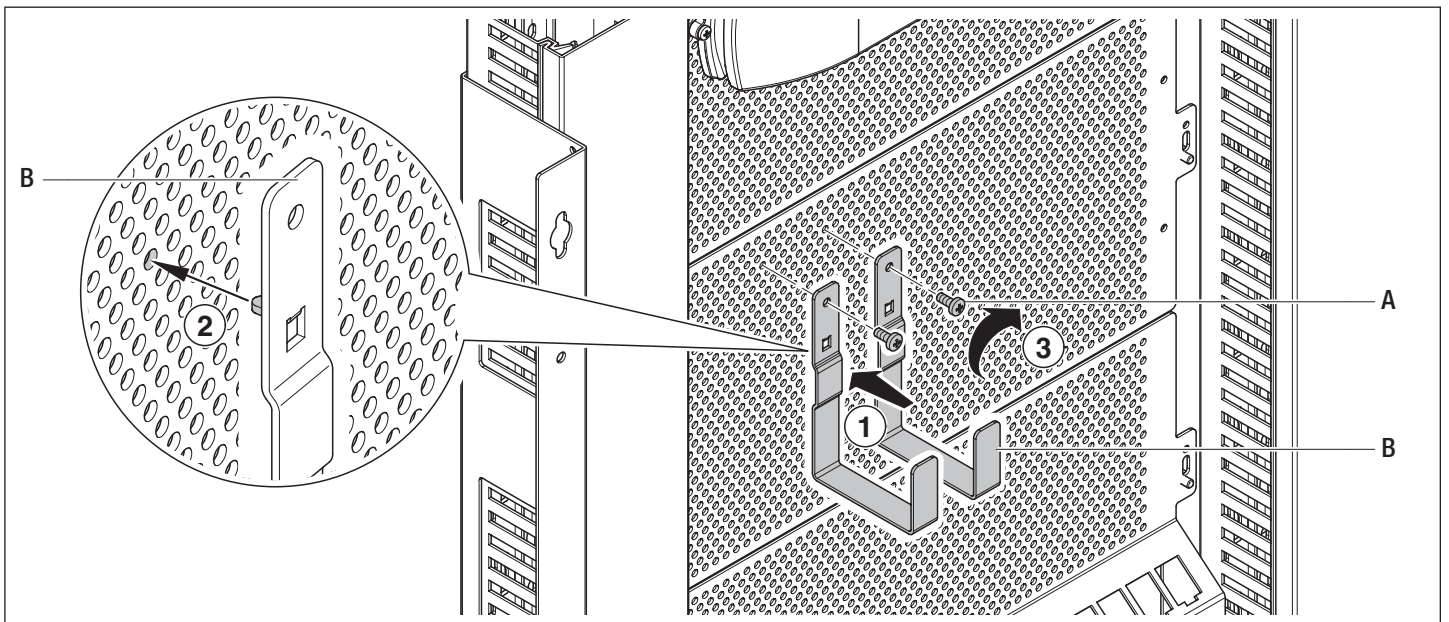
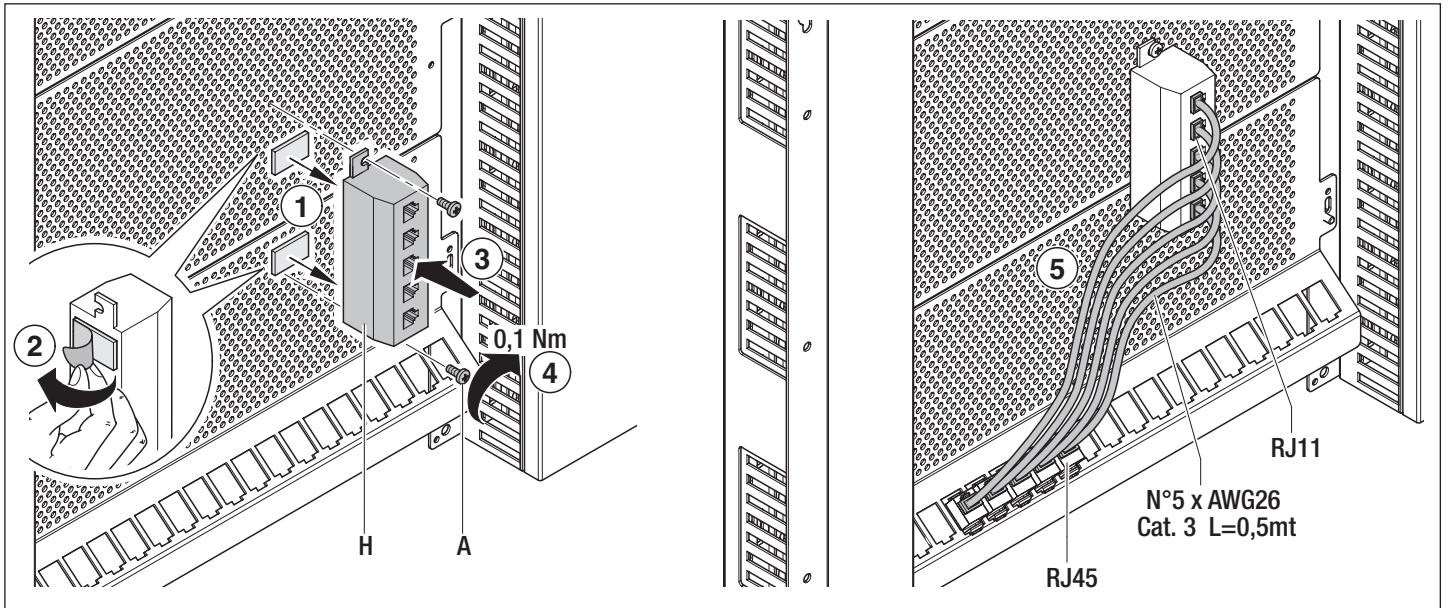
				
F	G	H	I	L
1	6	1	1	6

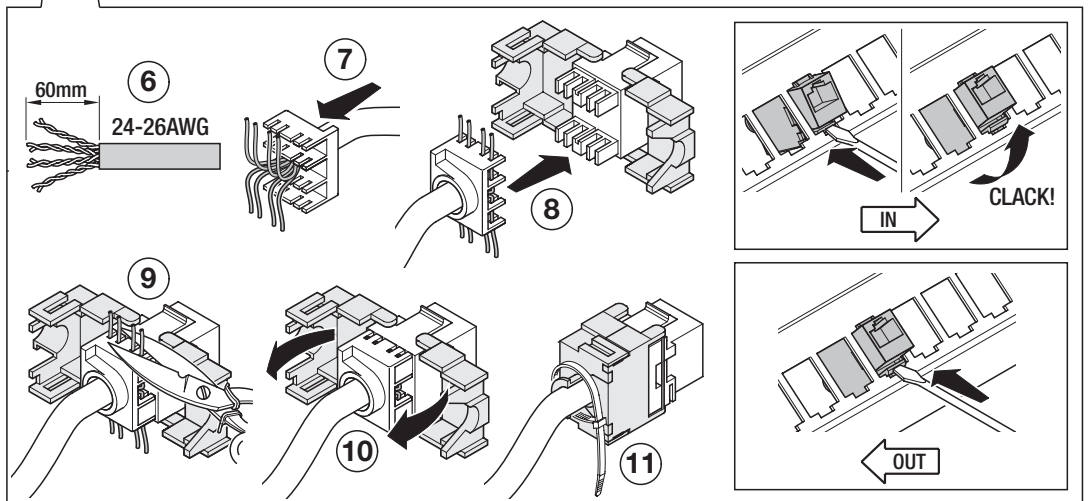
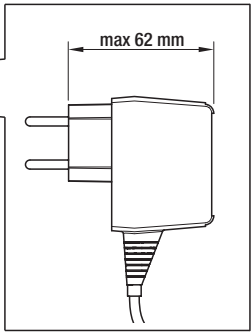
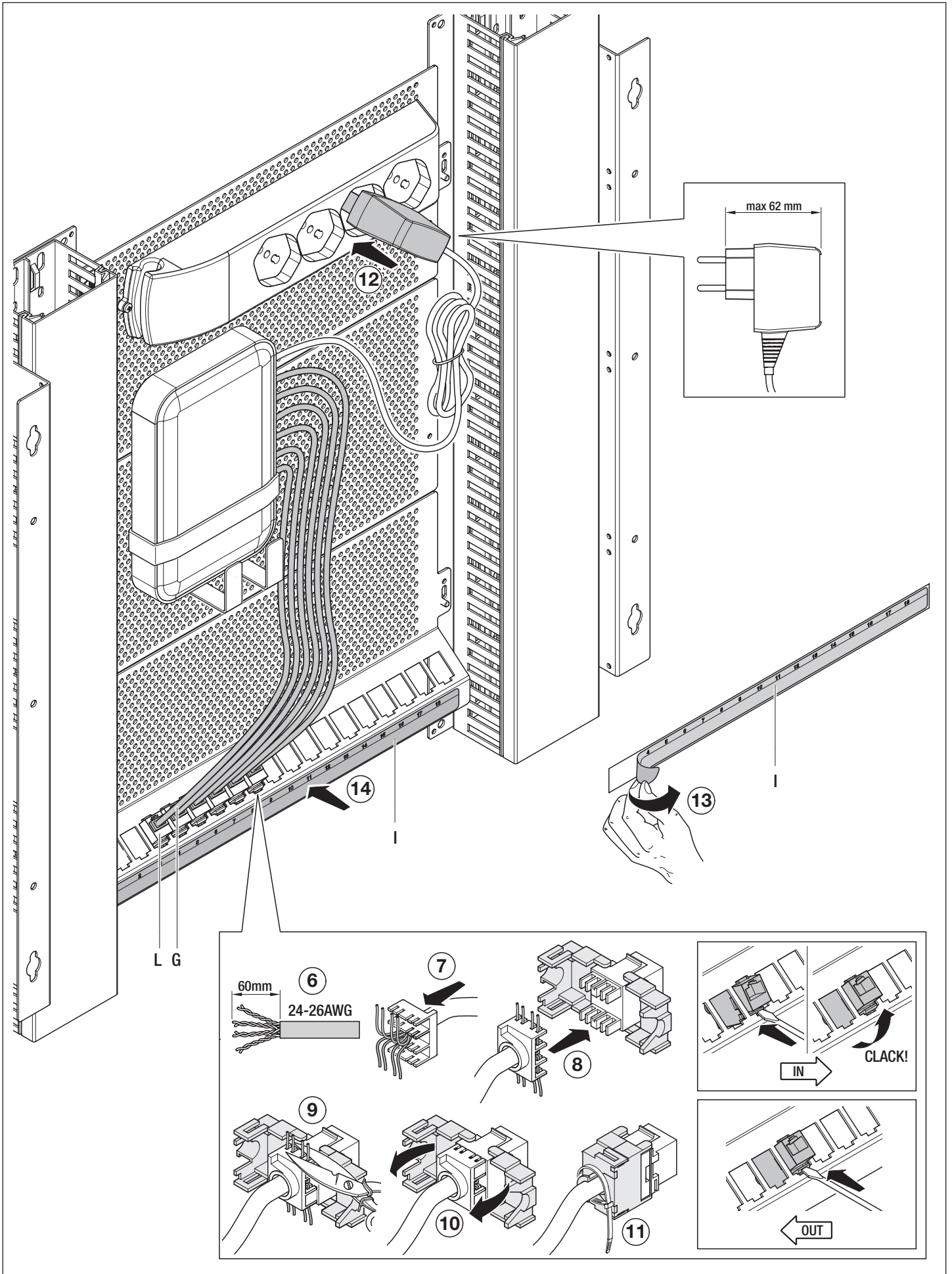
		
GW 38 311	GW 38 338 GW 38 341 - 15m GW 38 342 - 30m GW 38 343 - 50m GW 38 344 - 65m	GW 38 098

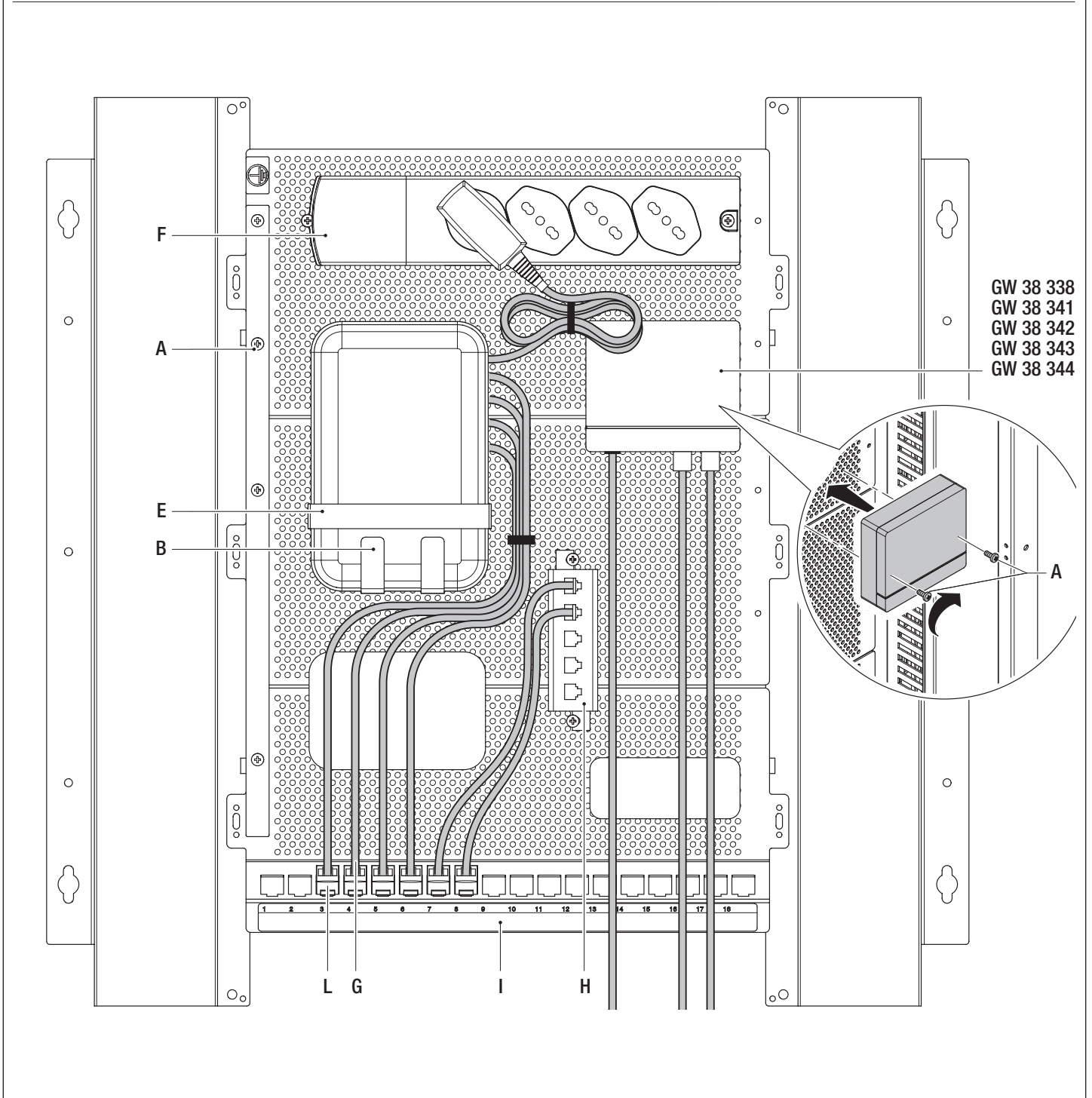
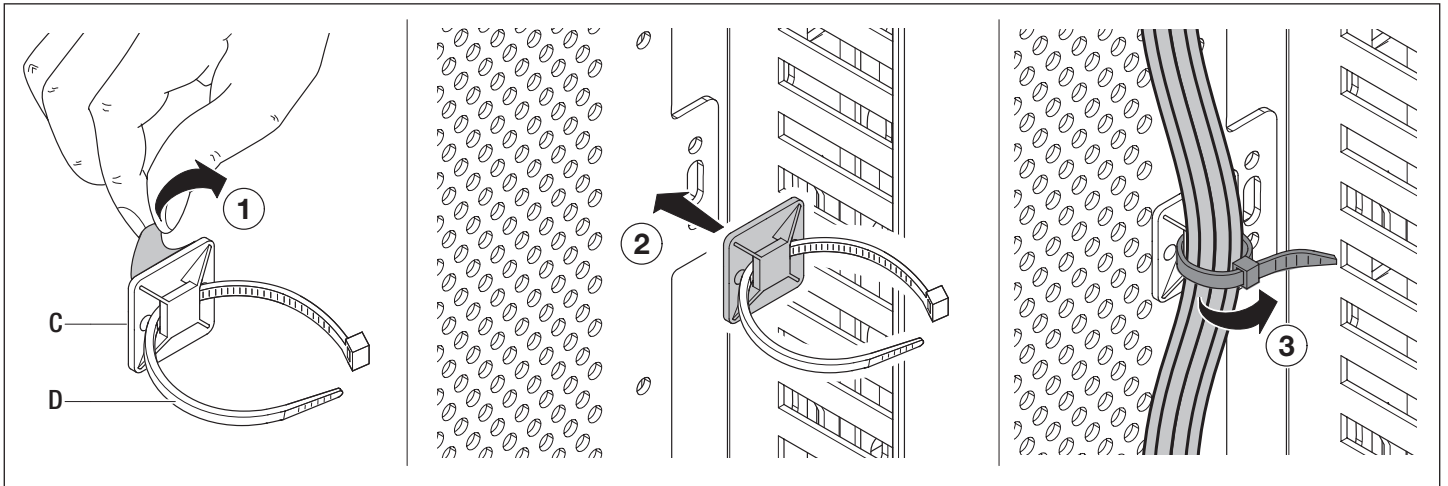


4P40 2P+T 16A 250V~

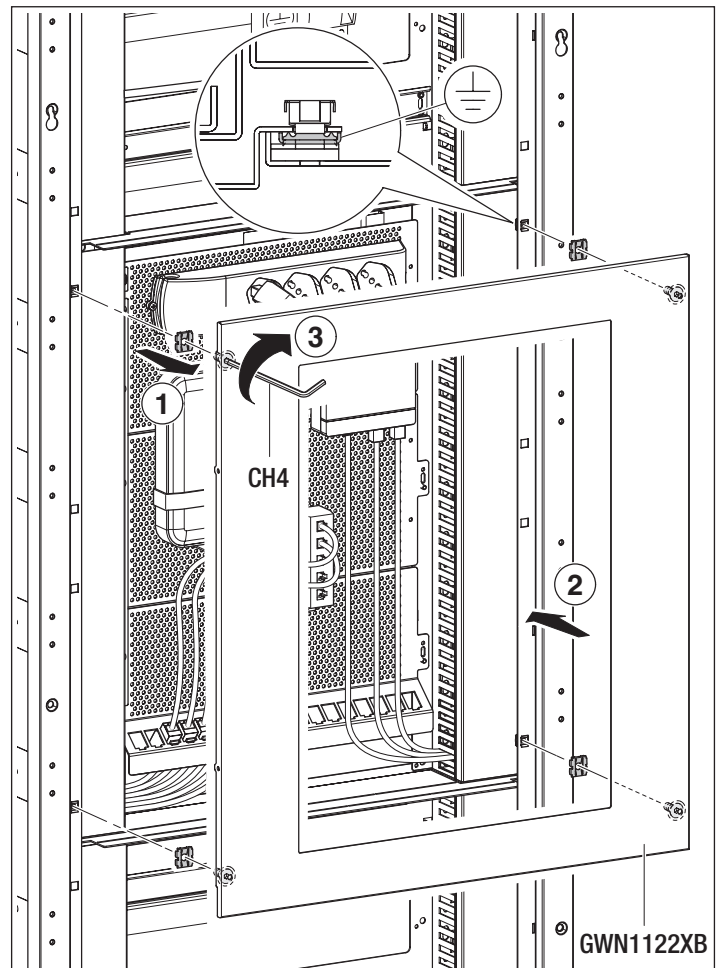
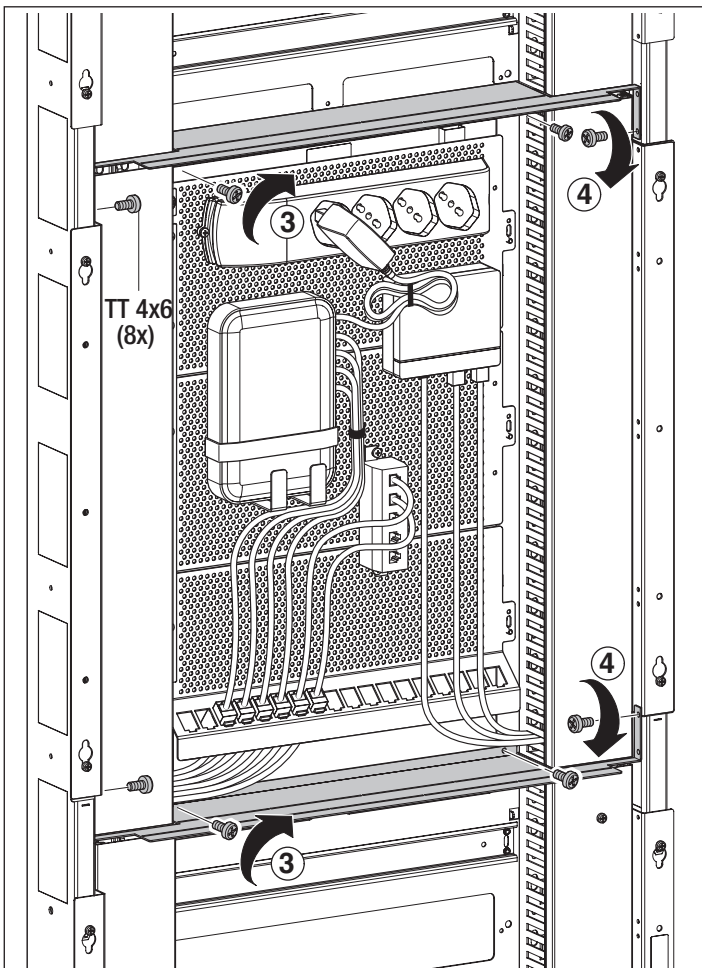
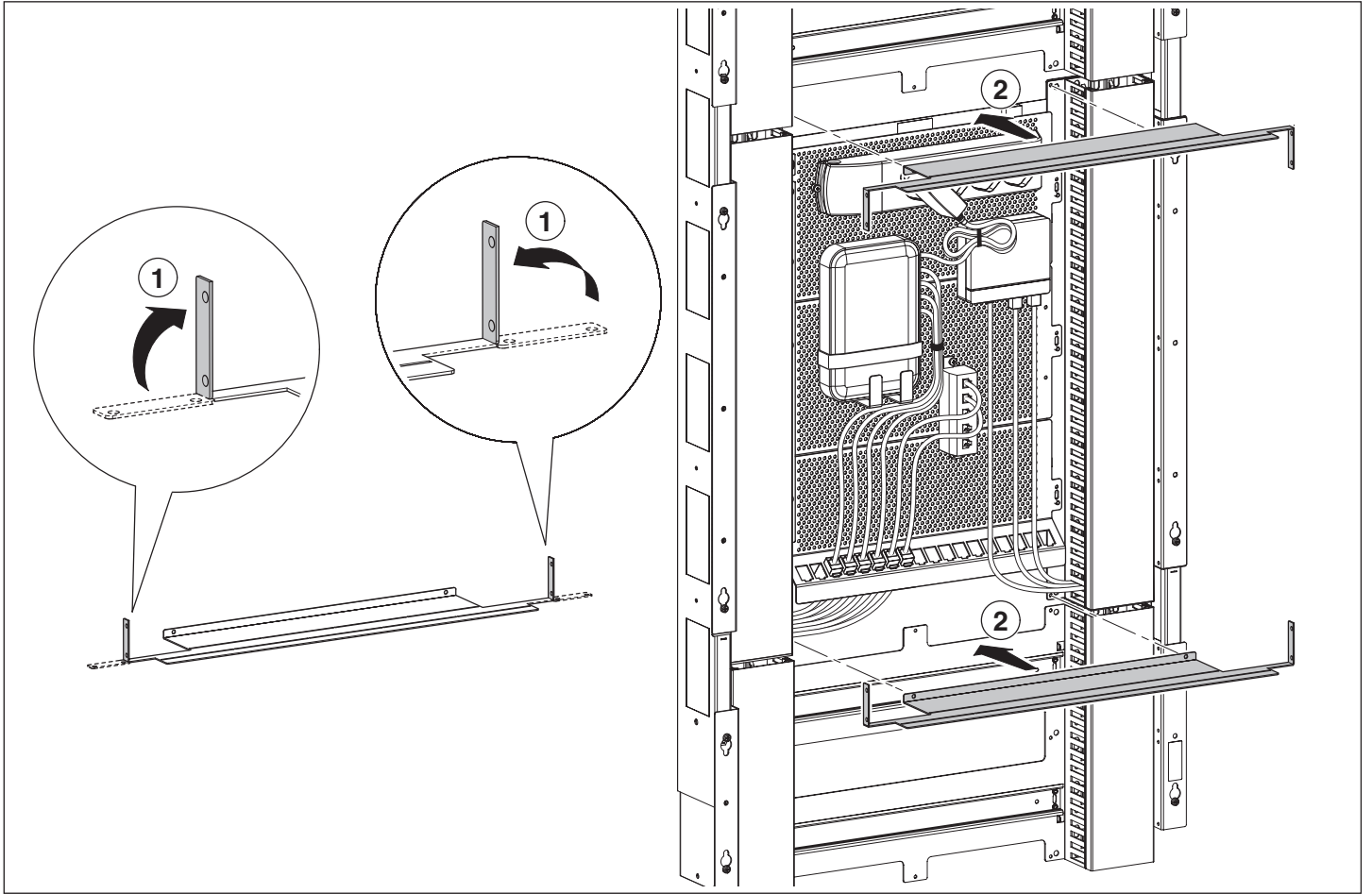








GW 38 338
GW 38 341
GW 38 342
GW 38 343
GW 38 344



Punto di contatto indicato in adempimento ai fini delle direttive e regolamenti UE applicabili:

Contact details according to the relevant European Directives and Regulations:

GEWISS S.p.A. Via A.Volta, 1 IT-24069 Cenate Sotto (BG) Italy tel: +39 035 946 111 E-mail: qualitymarks@gewiss.com



+39 035 946 111

8.30 - 12.30 / 14.00 - 18.00
lunedì - venerdì - monday - friday



+39 035 946 260



sat@gewiss.com
www.gewiss.com