

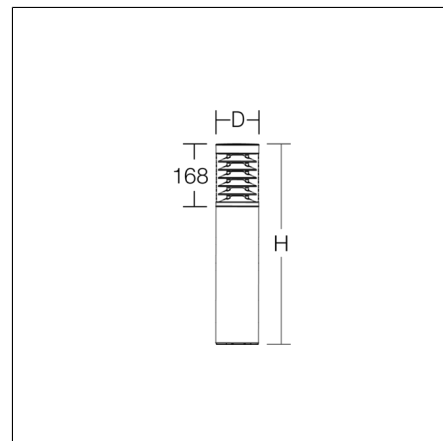
# MEGA TOWER F

611993.0031 | Bollards



Bollards  
4051859170358  
D 115, H 1000

free-standing  
anthracite metallic (DB703)



Attractive cylindrical bollard with innovative housing design and high-quality LED optics. Luminaire tube  $\varnothing$  115 mm made of corrosion-resistant aluminium profile, powder coated. Recessed stainless steel fixing plate. Non-corrosive gear compartment made of mould-cast dual compound thermoplastic with integral TP gasket. With membrane valve to avoid condensation. Seawater resistant coating. Luminaire head made of corrosion-resistant pressure die-cast aluminium, powder-coated, with transparent cylinder (glass) and translucent anti-glare louvers. The robust stainless steel mounting base ensures long-term stability. Elongated holes in the base for subsequent and simple alignment of the luminaire. Driver integrated. Connection box on base, max. 2 x 3 x 2.5 mm<sup>2</sup> for through wiring.

## Product specifications

Diameter D	115 mm
Height H	1000 mm
Weight	5.13 kg
Light source	LED
Colour temperature	3000 K
Rated luminous flux	880 lm
System power	10 W
System efficiency	88 lm/W
Glare evaluation UGR (4H 8H)	24,9
Beam angle	down 90°/90°/90°/90° up 90°/90°/90°/90°
Rated life	60000 h (L80/B50)
Colour rendering index (CRI)	80
Colour tolerance	3
Photobiological safety according to EN 62471	Risk group 1
Driver	Converter
Control	on/off
Voltage	176 - 264 V / 0 Hz, 50 - 60 Hz
Luminaires on B10A fuse	39
Luminaires on B16A fuse	63
Luminaires on C10A fuse	63
Luminaires on C16A fuse	100
Inrush current / Inrush current duration	8 A / 5 $\mu$ s
CIE Flux Code / CEN Flux Code	8 34 71 62 100
Type of protection	IP 65
Protection class	I
Filament test	650°C - 30 seconds
Impact resistance	IK05
Ambient temperature	-20 °C ... + 35 °C
Conformity mark	CE, EAC

# MEGA TOWER F

611993.0031 | Bollards

## Accessories



982103.000  
Accessory for ground installation

## Spareparts



982260.0031  
Luminaire head, anthracite