



# HF-Regulator Intelligent Touch DALI for TL5/TL-D/PL-L lamps

## HF-Ri TD 1 28/35/49/54 TL5 E+ 195-240V

This intelligent high-frequency electronic dimming ballast utilizes the DALI or Touch and Dim push-button protocol for fluorescent lamps. It meets A1BAT requirements, thereby pre-empting upcoming legislation. With a special command you can retrieve the system's mains power consumption, and with another you can find out which lamp wattage is connected. Combined with controls, additional energy savings can be achieved. The ballast is primarily designed for Indoor application. For outdoor application, the luminaire should be minimum Classland need to be sufficiently protected against water & dust. The installation should also be guard against any lightening surge or any other necessary electrical protection as deemed in such typical installation & application.

### Product data

General Information		Number of Products on MCB (16A Type B) (Nom)	
Number of Lamps	1 piece/unit		
Operating and Electrical		Wiring	
Input Voltage	195-240 V	Connector Type Input Terminals	WAGO 251 universal connector [Suitable for both automatic wiring (ALF and ADS) and manual wiring]
Line Frequency	50 to 60 Hz		
Input Frequency	50 to 60 Hz		
Earth Leakage Current (Max)	0.5 mA		
Inrush Current Width	0.18 ms		
Inrush Current Peak (Max)	20 A		

# HF-Regulator Intelligent Touch DALI for TL5/TL-D/PL-L lamps

<b>Connector Type Output Terminals</b>	WAGO 251 universal connector [Suitable for both automatic wiring (ALF and ADS) and manual wiring]
--	---

## Temperature

<b>Ambient temperature range</b>	-25 °C to 50 °C
<b>T-Case Lifetime (Max)</b>	75 °C
<b>T-Case Maximum (Max)</b>	75 °C

## Controls and Dimming

<b>Control Interface</b>	TD
--------------------------	----

## Mechanical and Housing

<b>Housing</b>	L 359x30x21
----------------	-------------

## Approval and Application

<b>Ingress protection code</b>	IP20 [Finger-protected]
<b>Energy Efficiency Index</b>	A1 BAT

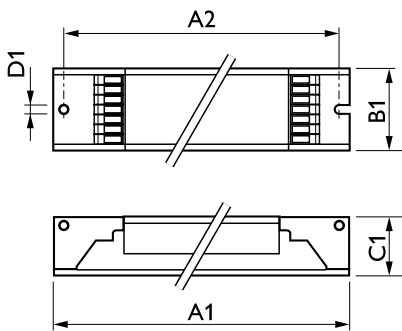
<b>Safety Standard</b>	IEC 61347-2-3
<b>Environmental Standard</b>	ISO 14001
<b>Approval Marks</b>	CE marking ENEC certificate VDE-EMV certificate

## Product Data

<b>Full product code</b>	871829166205100
<b>Order product name</b>	HF-Ri TD 1 28/35/49/54 TL5 E+ 195-240V
<b>Order code</b>	913700695666
<b>Numerator - Quantity Per Pack</b>	1
<b>Numerator - Packs per outer box</b>	12
<b>Material number (12NC)</b>	913700695666
<b>Full product name</b>	HF-Ri TD 1 28/35/49/54 TL5 E+ 195-240V
<b>EAN/UPC - Case</b>	8718291662068



## Dimensional drawing



Product	D1	C1	A1	A2	B1
HF-Ri TD 1 28/35/49/54 TL5 E+ 195-240V	4.1 mm	22.0 mm	360.0 mm	350.0 mm	30.0 mm

