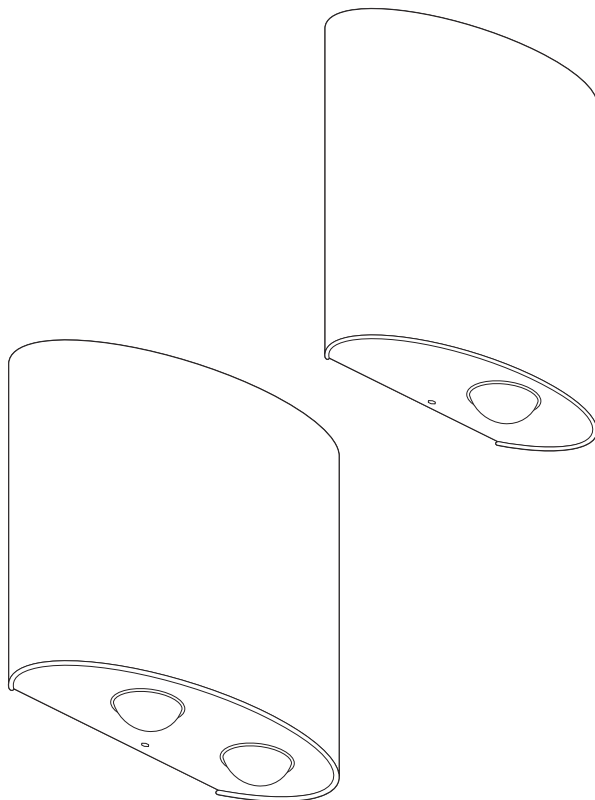
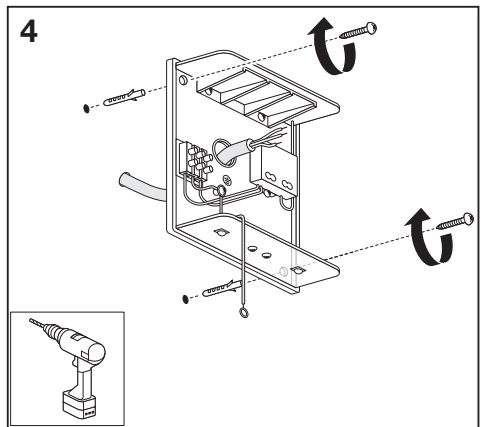
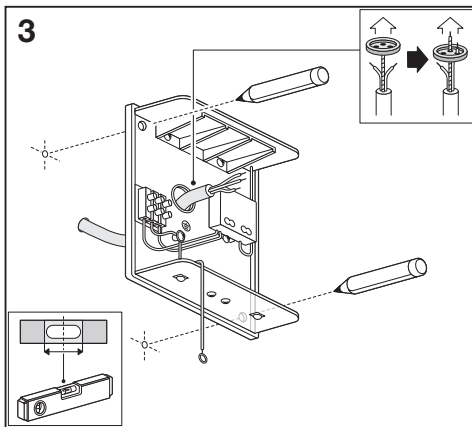
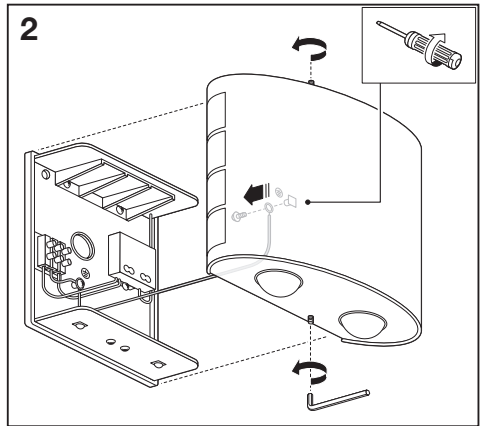
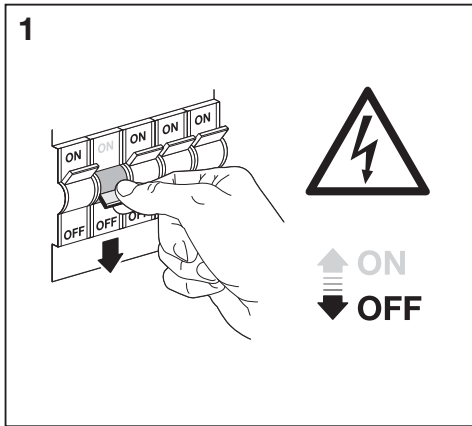
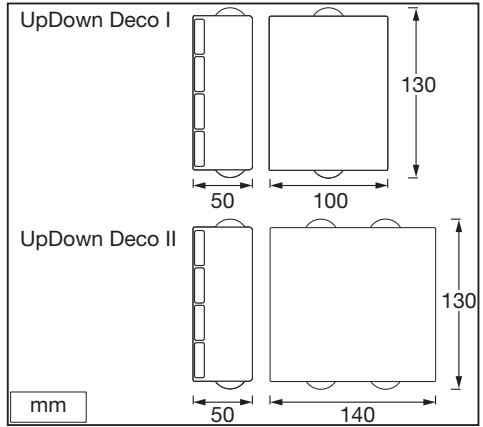
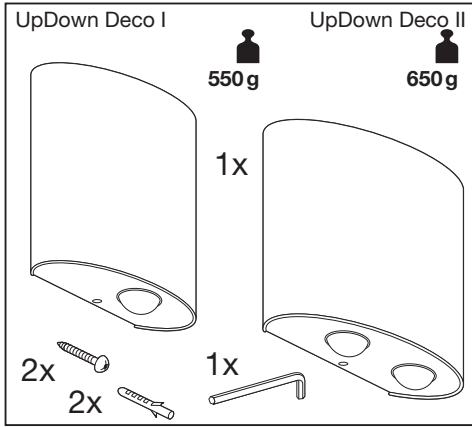
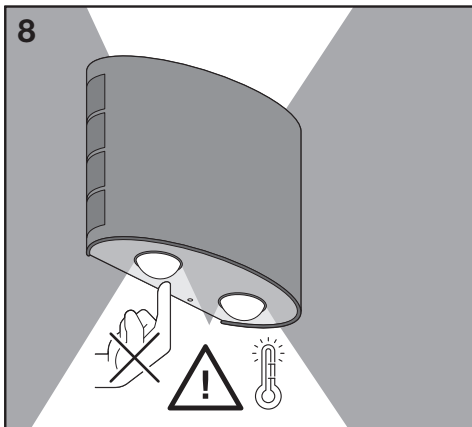
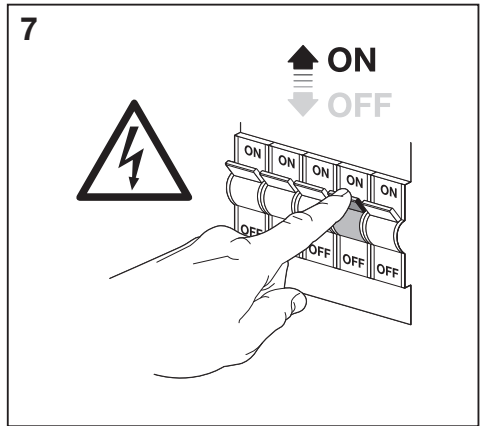
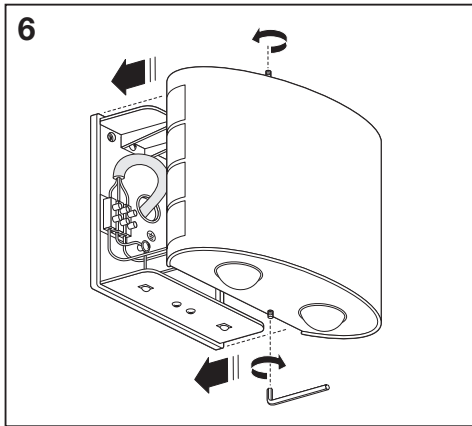
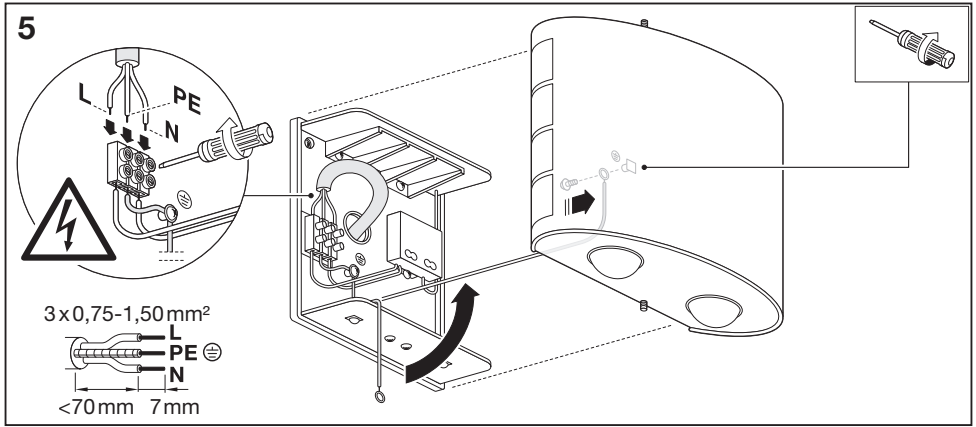



ENDURA® STYLE UPDOWN DECO



	EAN	W	lm	K	Temp. (°C)	V~	mA	Hz	PF
ENDURA® STYLE UPDOWN DECO I 6W DG SLR	4058075205529	6	280	3000	-20...+40	220-240	65	50/60	>0.5
ENDURA® STYLE UPDOWN DECO II 11W DG SLR	4058075205543	11	550	3000	-20...+40	220-240	95	50/60	>0.5





	EAN	This product contains a light source of energy efficiency class	Contained Light Source
ENDURA® STYLE UPDOWN DECO I 6W DG SLR	4058075205529	E	
ENDURA® STYLE UPDOWN DECO II 11W DG SLR	4058075205543	F	



C10449057
G11121828
25.05.2021



LEDVANCE GmbH
Steinerne Furt 62
86167 Augsburg, Germany
www.ledvance.com