

W Series

EN

User's
Manual

WELCOME

EN

Dear Valued Customer,

We are delighted to welcome you to the **battery** family! By choosing our energy storage batteries, you have taken a significant step towards efficiently managing your home power systems and living a more eco-friendly lifestyle.

Our energy storage batteries are designed to help you make the most of your solar power system. With Voltsmile batteries, you can store excess solar power generated during the day and use it during the night or peak hours, reducing your reliance on the grid and saving on electricity bills. Not only does this help you save money, but it also allows you to reduce your carbon footprint, as you rely less on fossil fuels and more on clean, renewable energy.

Everyone has a part to play in creating a sustainable future for our planet, and we are proud to offer products that contribute to this goal. We are committed to providing you with the highest quality energy storage batteries and exceptional customer service.

If you have any questions or concerns about your new energy storage batteries, our experts are always here to help. We want to ensure you have a seamless experience with our products and are getting the most out of your investment.

Once again, we welcome you to the **battery** family and look forward to serving your energy storage needs.

Sincerely,

The **battery** Team.

Precautions

The W series battery systems offer many benefits, such as improved efficiency and reduced emissions. It is essential to take certain precautions to ensure safety. Here are some general precautions for using W series battery systems:

1. Always follow the instructions and guidelines for using and maintaining the battery system.
2. Wear appropriate personal protective equipment, such as insulated gloves and safety glasses, when working with lithium-ion battery systems.
3. Ensure that the battery system is installed correctly and grounded and that all electrical connections are secure.
4. Do not attempt to disassemble or modify the battery system, as this can result in electric shock or other serious injuries.
5. If the battery system is damaged or shows signs of malfunction, such as leaking or swelling, stop using it immediately and seek professional assistance.
6. Avoid exposing the battery system to extreme temperatures or environmental conditions that could cause damage or degradation.
7. Always turn off the power supply before connecting or disconnecting the battery system, and never touch the electrical contacts with bare hands or metal tools.

These precautions ensure that W series battery systems are used safely and effectively in various applications.

CAUTION!



THIS SYSTEM CONTAINS LITHIUM-ION BATTERY



WARNING:

Installation and maintenance should only be carried out by trained professionals. We do not undertake any consequences or related responsibility because of violation of safety operation or violation of design, production and equipment safety standards.



CAUTION:

1. It is required to charge the battery at least once every six months. For this charge, maintenance ensures the SOC is higher than 90%.
2. The connection of the power connector, grounding point, power cable and screw are suggested to be checked yearly. Ensure there is no loose, broken, or corrosion at the connection point. Check the installation environment, such as dust, water, insect and more, to ensure it is suitable for the IP67 battery system.
3. If the battery is stored for a long time, it must charge every six months, and the SOC should be higher than 90%.



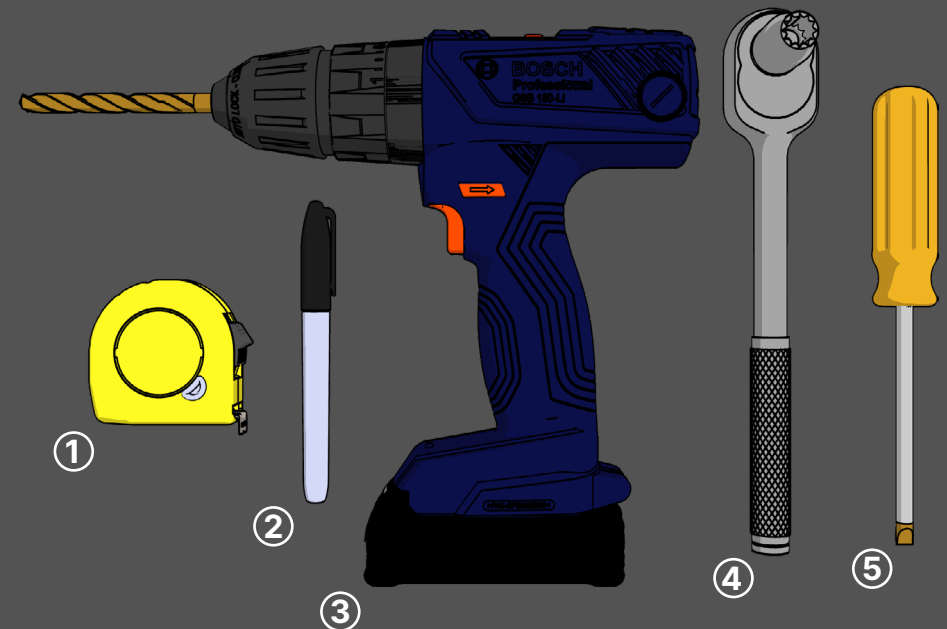
In case a battery (normal condition or damaged) needs disposal or needs recycling, it shall follow the local recycling regulation (i.e. Regulation (EC) Number 1013/2006 among European Union) to process and use the best available measures to achieve relevant recycling efficiency.

Before Start:

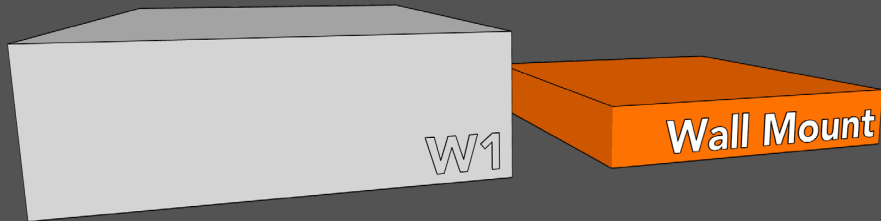
1. Please read this user's Manual thoroughly.
2. The W series must be installed against load bearing wall.
3. The W series weighs at around 90kg, and we recommend that at least two people for the installation.
4. Ensure that the site is suitable for the installation, considering factors such as space, ventilation, and accessibility.
5. Conduct a thorough risk assessment to identify potential hazards and develop appropriate mitigation measures.
6. Choose a official supplier of battery that can provide genuine battery systems and professional installation services.
7. Ensure that the electrical infrastructure can handle the DC high current of the battery system and that all electrical connections are properly installed and grounded.

Tools for installation:

1. Tape Measure.
2. Marking Tool.
3. Power Drill.
4. Socket Wrench.
5. Screw Driver.

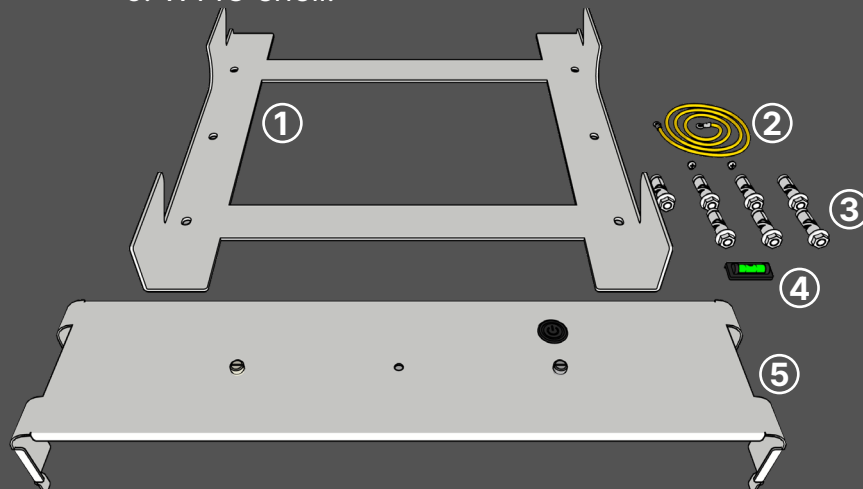


- ① Unpack the **Wall Mount** package first.

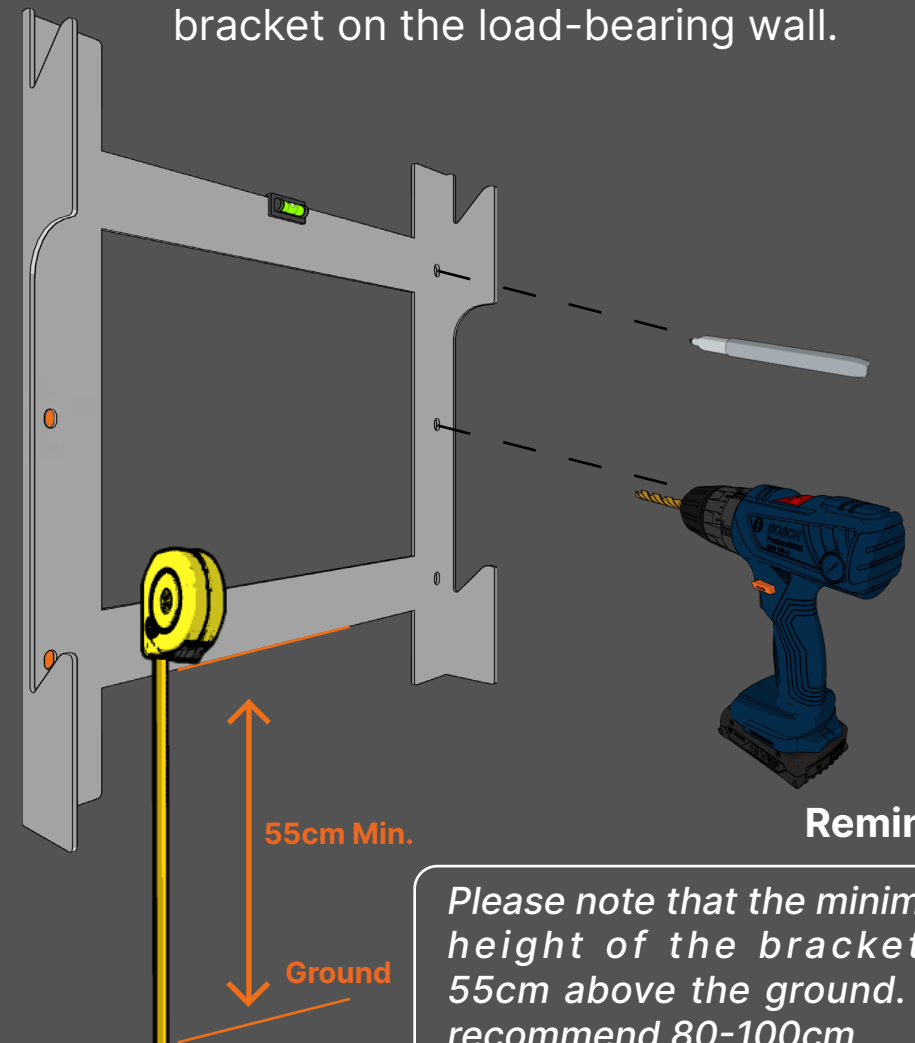


- ② In the **Wall Mount** package, you will find.

1. Wall bracket.
2. Grounding cable & 2x Screws.
3. 7x Concrete anchors (1 spare).
4. Magnetic level tool.
5. W1 IO shell.



- ③ Place the magnetic level tool as shown, and mark and drill six holes using 12cm drill bits to mount the bracket on the load-bearing wall.



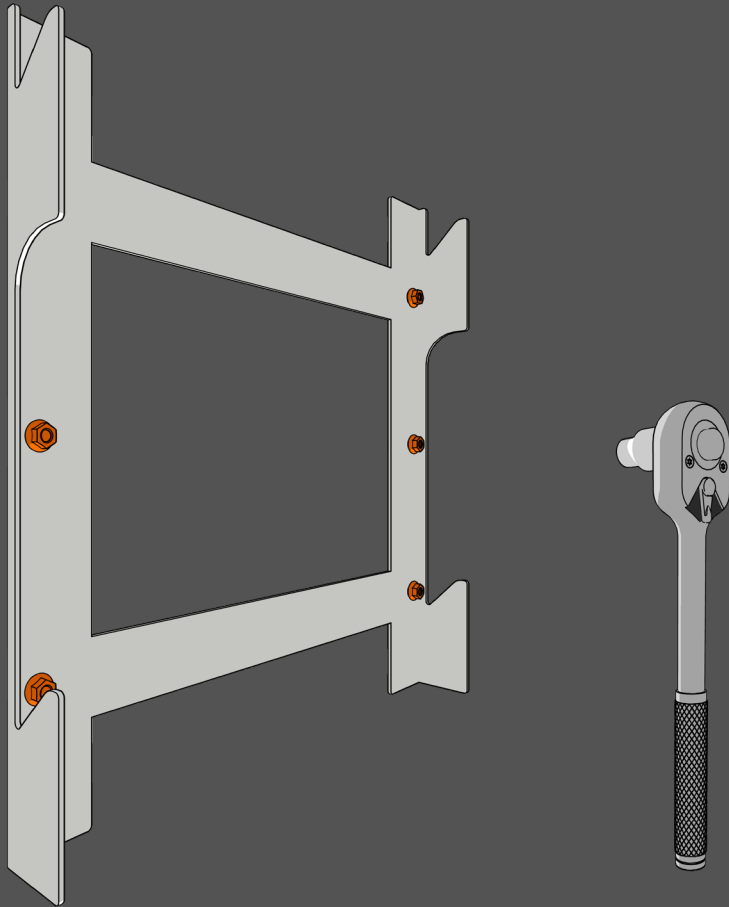
Reminder:

Please note that the minimum height of the bracket is 55cm above the ground. We recommend 80-100cm.

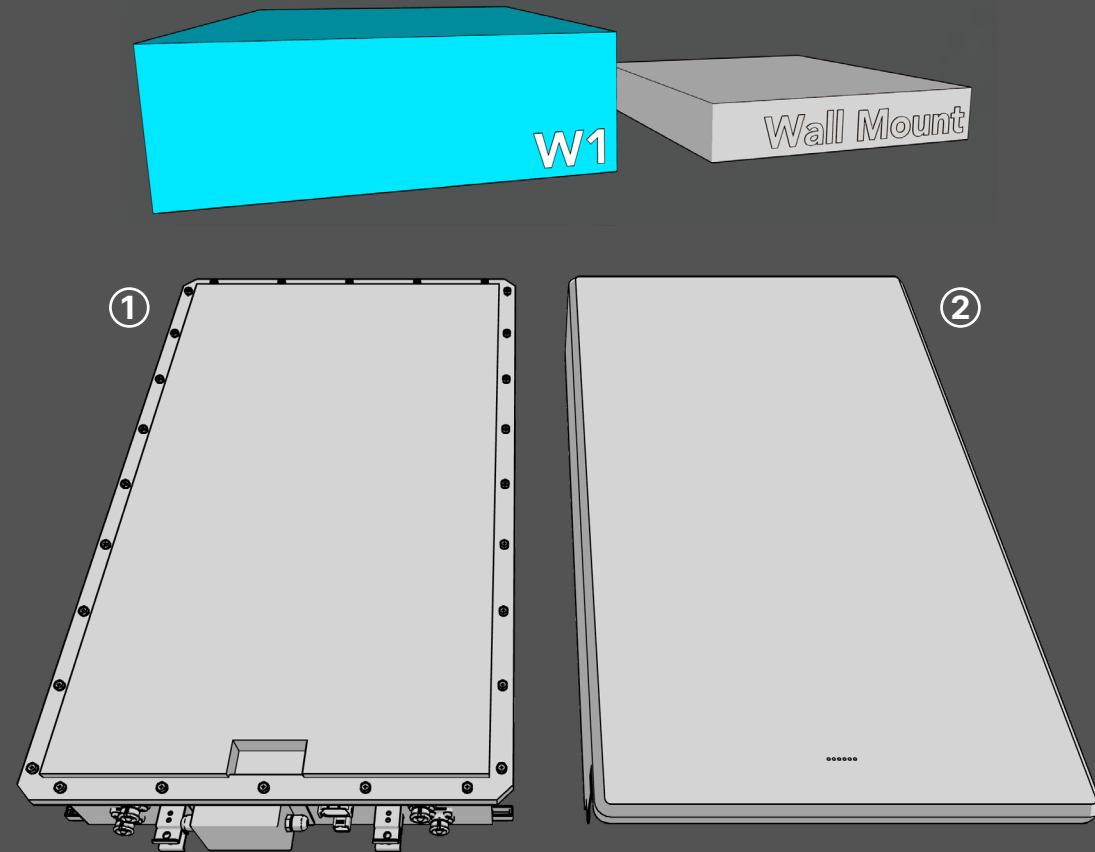
Installation

03

- ④ Gently tap the **Concrete Anchor** into the holes and secure them with a socket wrench or a spanner.



- ⑤ Unpack the W1 package, and you will find:
1. W1 battery pack.
 2. W1 outer shell.

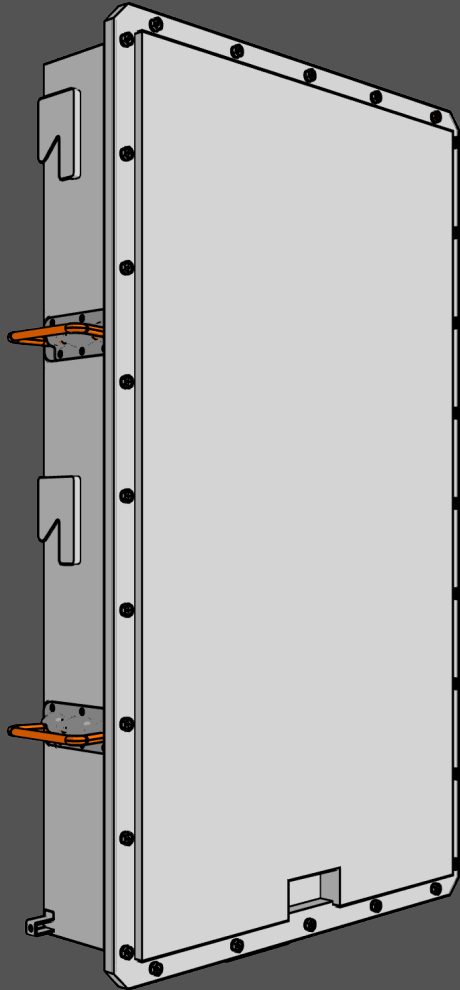


Please note: Remove The outer shell before removing the battery pack from the boxing.

Installation

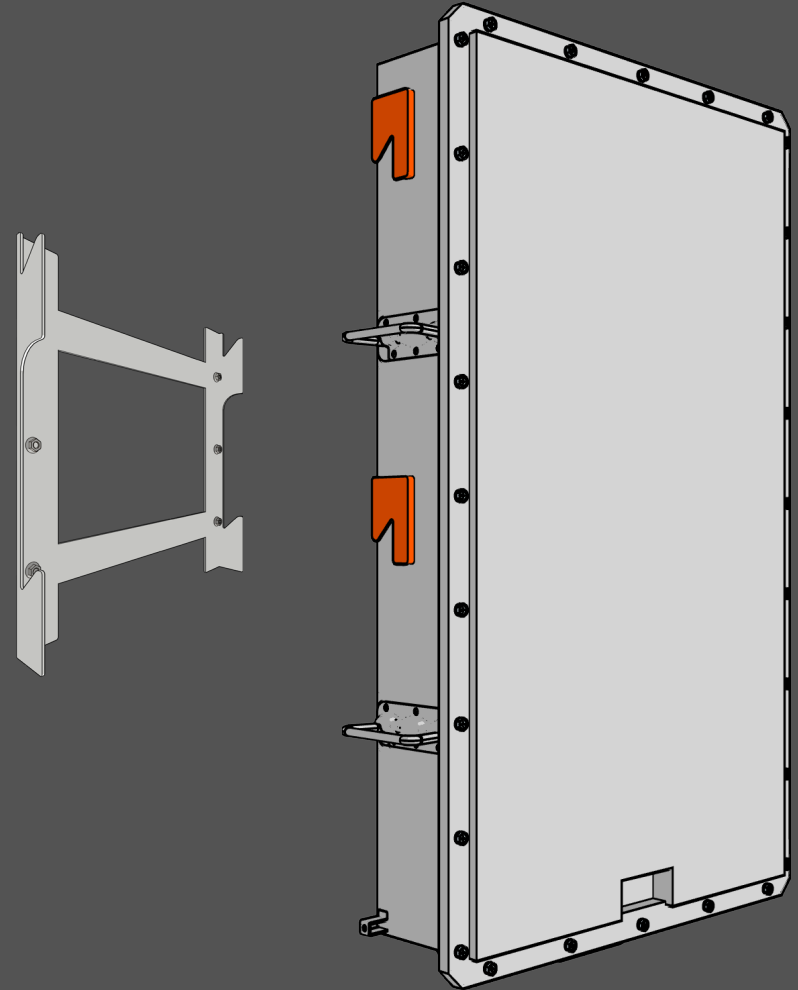
04

- ⑥ Upright the W1 battery pack to its vertical position and lift the four **handles** located on both sides of the battery pack.



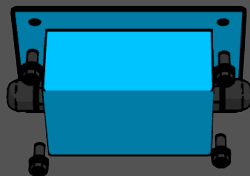
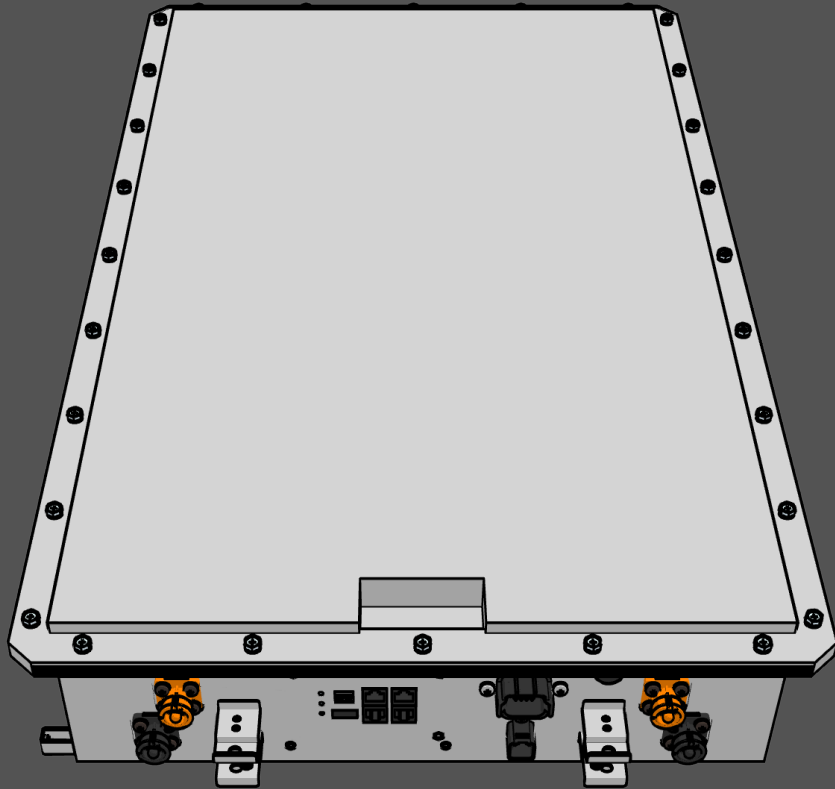
*Please note:
The battery pack
is 90kg. Please
beware.*

- ⑦ Lift the battery pack and align it with the **mounting hook**.

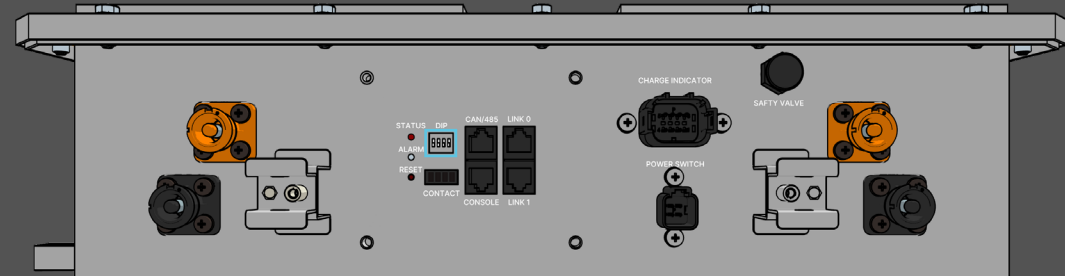


Installation

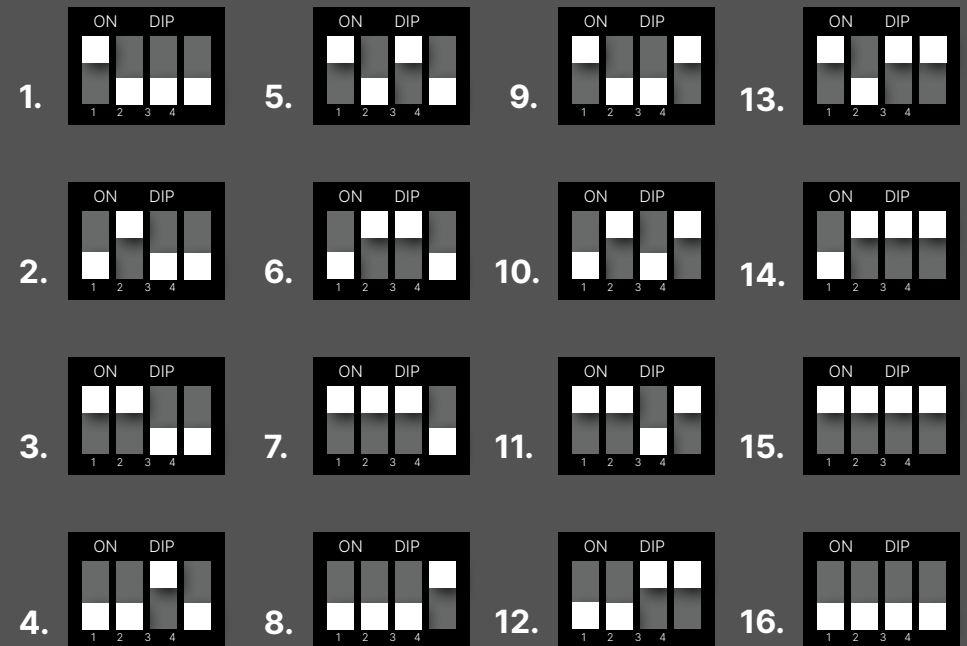
8 Remove the IO shield.



9 Adjusting the DIP switch to the correct position.

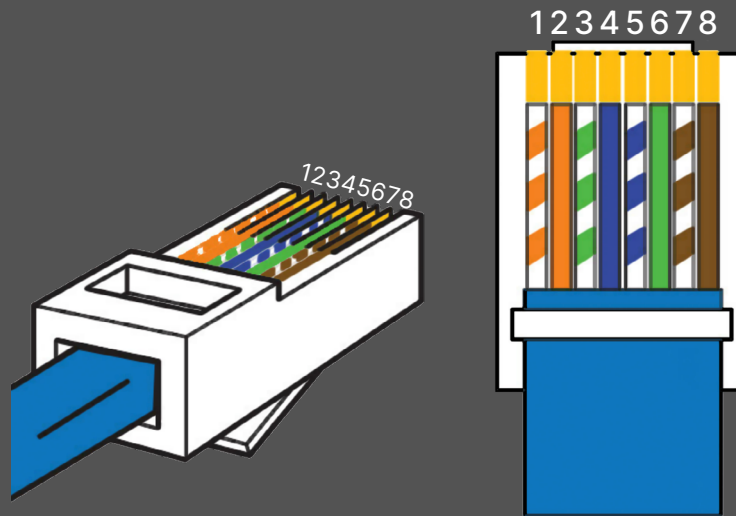


Battery position:

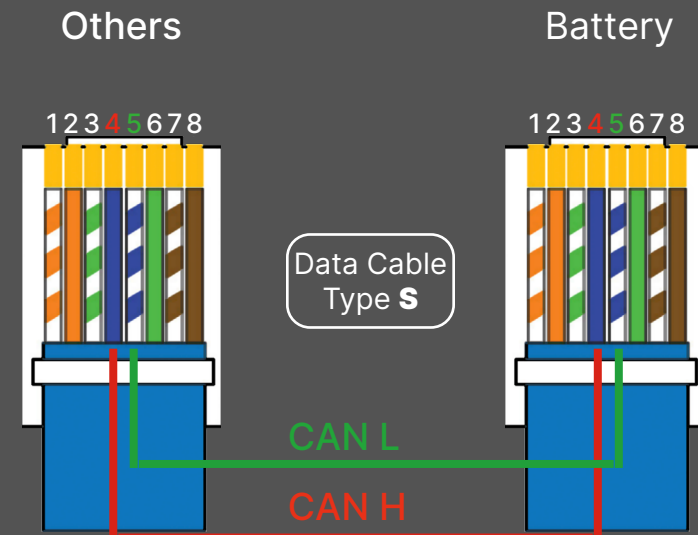
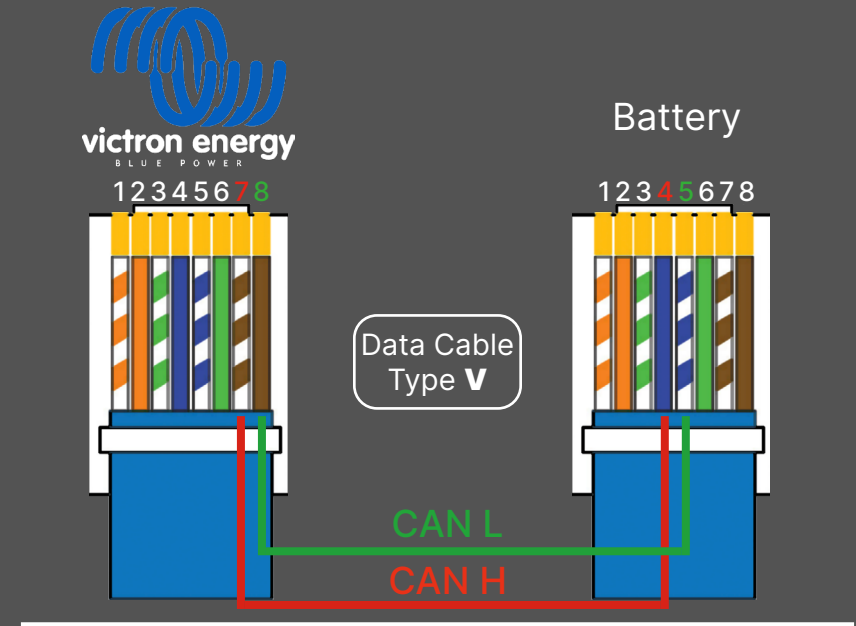


Installation

Cable Pinout:



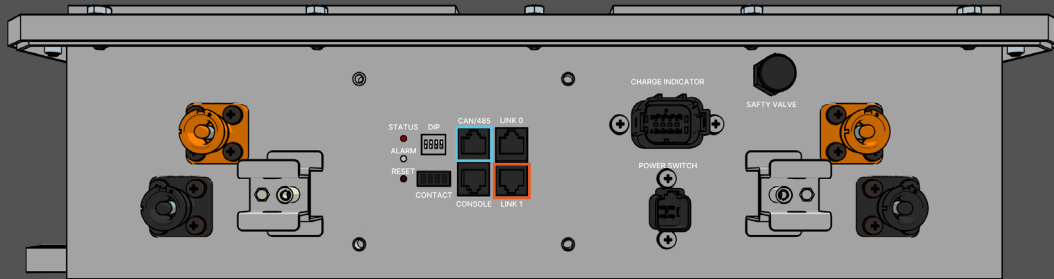
Pin	Colour	Defenition
1	Orange & White	NC
2	Orange	NC
3	Green & White	NC
4	Blue	CAN H
5	Blue & White	CAN L
6	Green	CAN_GND
7	Brown & White	485_A
8	Brown	485_B



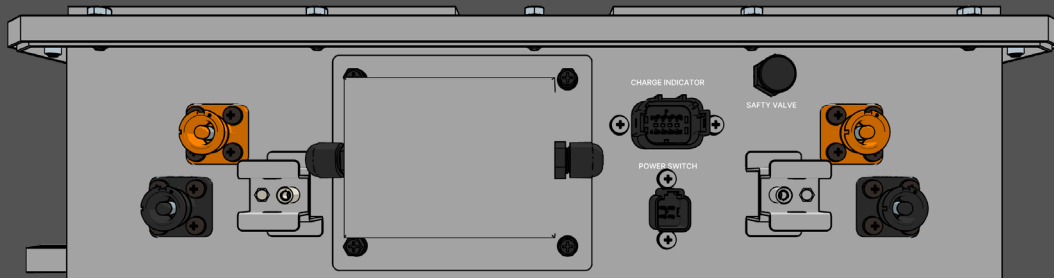
Installation

07

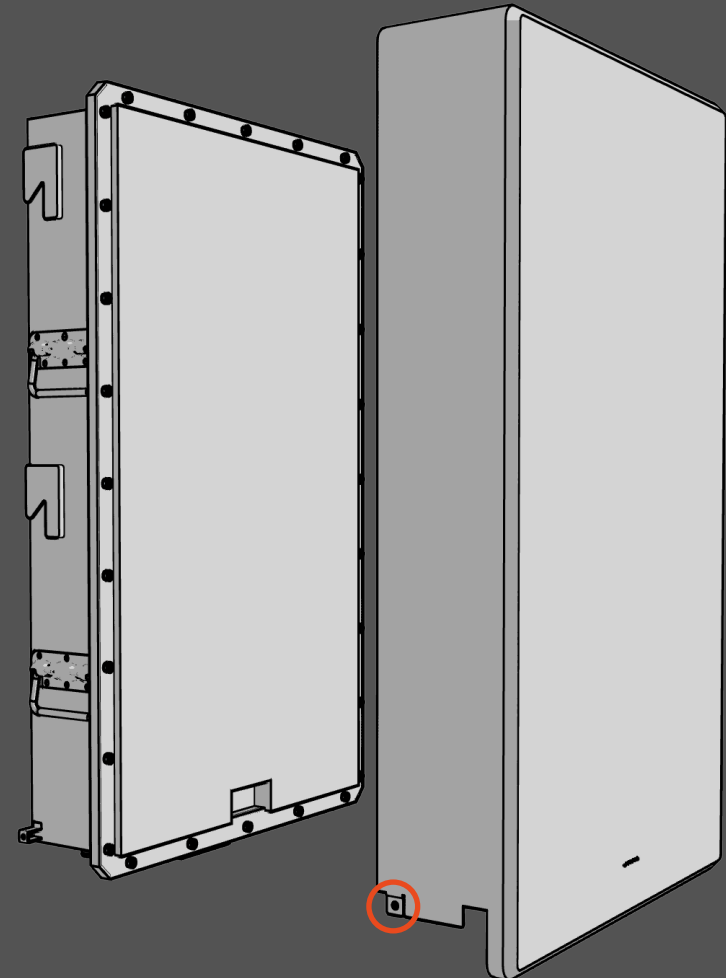
- 10** Connect **CAN/485** socket to the inverter, and connect **LINK1** to the next battery pack.



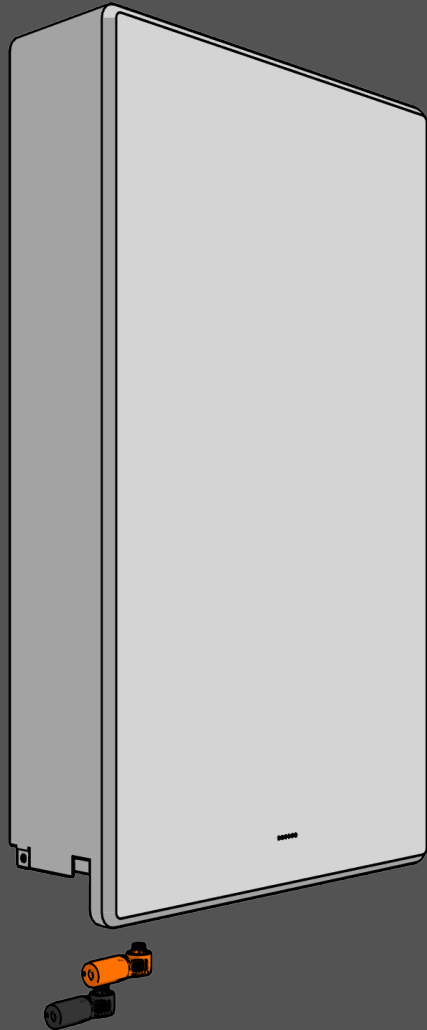
- 11** Pass the data cable through the IO shield and reattach the IO Shield.



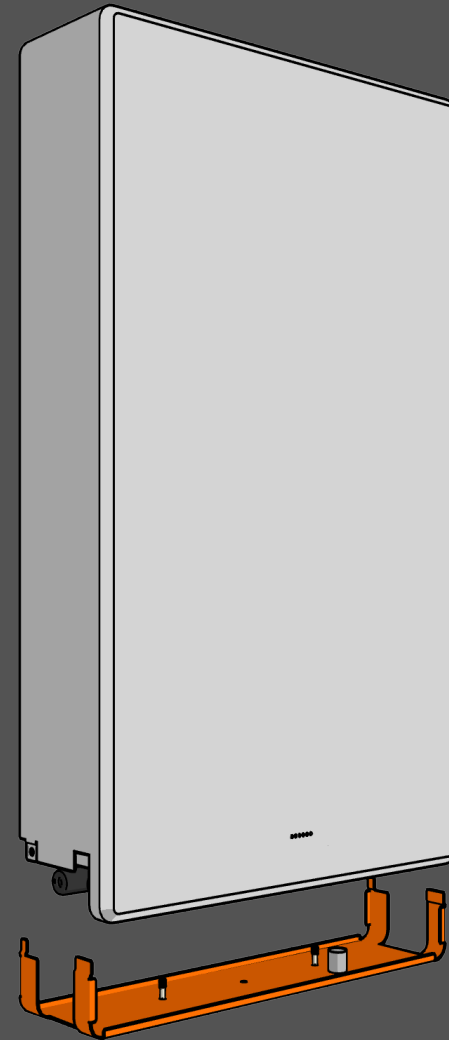
- 12** Attach the outer shell and attach the power indicator connector. Secure **Two screws** on both sides.



13 Attach the power cables.



14 Attach the **IO Shell**. All Done.



Upgrades

09

W1 is expandable from 10kWh up to 160kWh.
Ask your local dealer for more information if
you need to expand your setup.

