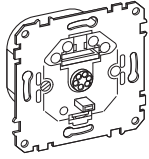


Electronic switch insert

Operating instructions



Art. -no. MTN575799

For your safety

DANGER
Risk of fatal injury from electrical current.
 All work on the device should only be carried out by trained and skilled electricians. The country-specific regulations must be followed.

DANGER
Risk of fatal injury from electrical current.
 The outputs may carry an electrical voltage even when the dimmer is switched off. Always disconnect the fuse in the incoming circuit from the supply before working on connected loads.

Electronic switch insert introduction

You can use the electronic time switch insert (referred to as **switch insert** in the following) to connect ohmic loads (incandescent lamps or halogen lamps) and switch them on and off using a sensor cover or a Merten IR remote control (Art. no. MTN570222).

You can connect up to ten of the following electronic extension units:

- TELE insert extension (art.-no. MTN573998)
- Universal relay insert (Art. no. 575897), push-button operation

You can also connect any number of mechanical extension units (conventional push-buttons).

CAUTION
Damage to the device

- When operating, the switch insert requires a minimum load of 25 W. If this is not met, the switch insert may be damaged. If the load is too great, the switch insert fuse will trip.
- The switch insert may be damaged if you connect inductive loads (e.g. wound transformers) or capacitive loads (e.g. electronic transformers).

i If you do not install the switch insert in a single, standard flush mounting box, the maximum permissible load is reduced as follows, due to the restricted heat dissipation:

Load reduction by	Electronic switch insert installed in cavity or wooden walls *	Several electronic switch inserts or in combination with dimmers *	Electronic switch insert in 1- or 2-gang surface-mounted housing	Electronic switch insert in 3-gang surface-mounted housing
25 %	X	X		
30 %			X	
50 %				X

* If several factors apply at once, add the load reductions together.

Switch insert components

To be completed with the following, depending on the system:

- Sensor cover (Art. no. MTN5776., MTN5701., MTN5737.) or
- TELE sensor cover (Art. no. MTN5779., MTN5703., 5709.) or
- Control electronics, 1-gang (Art. no. MTN569090) and glass sensor cover (Art. no. MTN569x..)

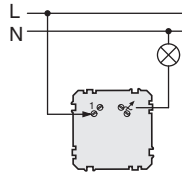
Switch insert installation

DANGER
Risk of fatal injury from electrical current.
 The outputs may carry an electrical current even when the switch insert is switched off. Always disconnect the fuse in the incoming circuit from the supply before working on connected loads.

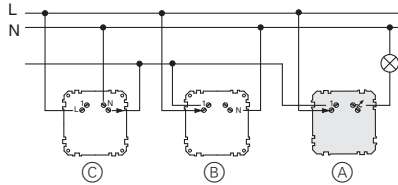
① Wire the switch insert for the required application.

Application:

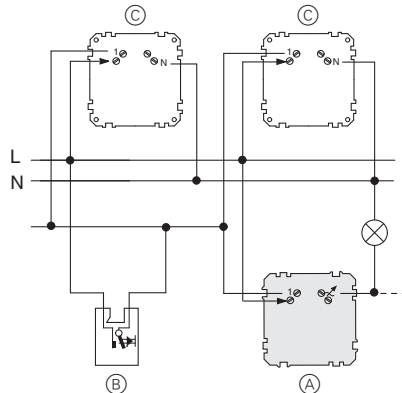
- Switch insert as stand-alone device



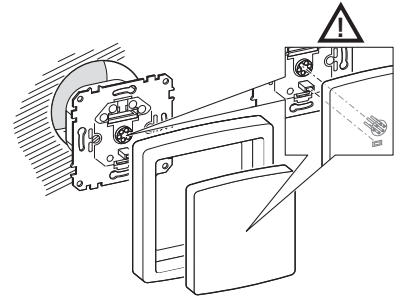
- Switch insert (A) with an extension TELE insert (B) and a universal relay insert (C) (set push-button operation).



- Switch insert (A) with extension units: Connection example with a push-button (B) and two extension TELE inserts (C).



② Install the switch insert in the socket-outlet so that the anti-twist adapter is at the bottom.



CAUTION
Damage to the device
 The contact pins on the rear of the sensor cover can become bent if tilted excessively. Therefore always plug the sensor cover in as straight as possible.

③ Attach the accompanying sensor cover together with the frame. Hold the sensor cover so that the recess at the back is at the bottom to receive the pin of the push-button insert.

For glass sensor covers: refer to the accompanying installation instructions.

i A neutral conductor is required for extension TELE inserts and universal relay inserts.

Switch insert operation

Lightly touching the sensor operating surface generates a current pulse. The pulse duration is independent of the duration of the sensor contact.

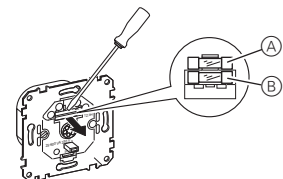


What should I do if there is a problem?

The electrical load does not light up.
 Replace the fuse. If the problem recurs, reduce the connected load.

Replace the fuse

DANGER
Risk of fatal injury from electrical current.
 Switch off the mains voltage.



① Pull the fuse holder out forwards and replace the fuse (A) (replacement fuse(B)).

Technical data

Mains voltage:	AC 220 – 230 V, 50/60 Hz
Connected load:	
Incandescent lamps:	25 – 400 W
230 V - halogen lamps:	25 – 400 W
Short-circuit protection:	G - Fuse insert T 1.6 H
Neutral conductor:	not required

Schneider Electric Industries SAS

If you have technical questions, please contact the Customer Care Center in your country.

www.schneider-electric.com

This product must be installed, connected and used in compliance with prevailing standards and/or installation regulations. As standards, specifications and designs develop from time to time, always ask for confirmation of the information given in this publication.