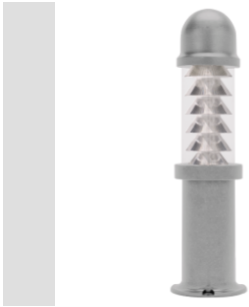


Product Data Sheet

GW82016G

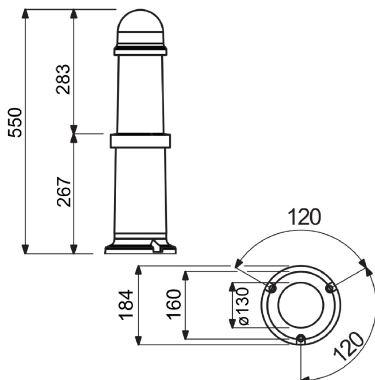
POINT range



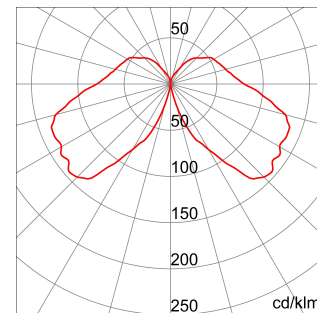
Pole style lighting apparatus for residential areas. Characterized by the shielding of the light source, it hosts LED sources. Available in two different, small sizes (h = 473 mm and 550 mm). Sober and elegant design, with a newly developed internal, transparent diffuser that conveys the light emission towards the ground, optimizing the flux and avoiding upwards light dispersion. The fixing means allow for a fast and safe maintenance.

Lamp power	12 W	Lamp	DR
Lamp holder	E27	Colour	Graphite grey
No. of lamps	1	Glow Wire Test	650 °C
Insulation class	II	IP degree	IP55
Mechanical resistance	IK10	Voltage	230 V - 50 Hz
Application	External	Light pollution	25%
Efficiency class of integrated LEDs	D ÷ A+	Type of light source	A+
Warranty	Can be extended	Electrocod	2442

DIMENSIONAL



PHOTOMETRIC DISTRIBUTION



TECHNICAL SYMBOLOGY

GWT
650 °C



IP
IP55

IK
IK10



EXTENDED WARRANTY

STANDARDS/APPROVALS

