

Product Data Sheet

GW14339M

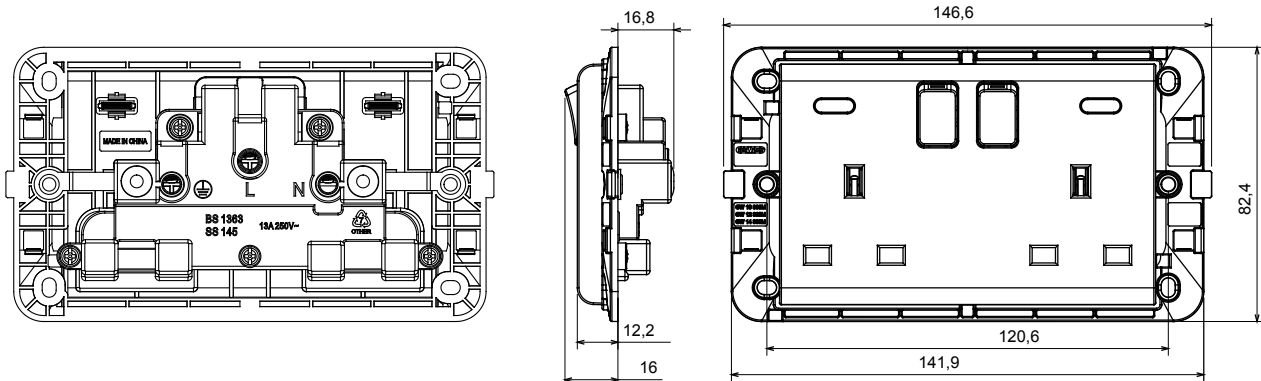
CHORUSMART - Domestic range



Wiring devices system characterized by its profile and shape inspired to the Chorus family feeling. Wide range of plates with an Italian design, articulated into two families, GEO and LUX cover plates, available in many materials and finishes. The range is available in three colors: glossy white, satin black, painted titanium and fits in 3x3 inches (1-gang) and 3x6 inches (2-gang) British Standard boxes. Range expandable thanks to the Chorus modular devices.

Category	Switched socket	Description	2P+E - 13 A
Colour	Titanium	Type	Backlit
Voltage	250V ac	Standard	British
Characteristics	With safety shields	For plug pins	Flat
Wiring terminals	With screw	Standard	BS 1363-2
Resistance at test voltage	2000 V at 50 Hz for 1 minute	Insulation resistance	> 5 MOhm
Thermo-pressure with ball	125 °C	Glow Wire Test	850 °C
Terminal grip on cable traction	> 50 N	Terminal tightening capacity stranded cables (mm ²)	min. 1,5 - max. 2,5
Terminal tightening capacity solid cables (mm ²)	min. 1,5 - max. 2,5	Prolonged operation switch (no.of position changes)	40.000 at In 250 V ac cosφ=0,6
Prolonged operation socket (no.of position changes)	10.000 at In 250 V ac cosφ=0,8		

DIMENSIONAL



TECHNICAL SYMBOLOGY



STANDARDS/APPROVALS

