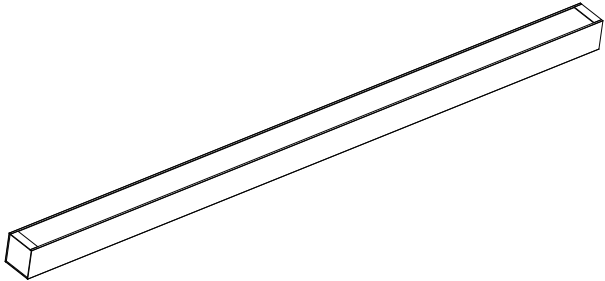
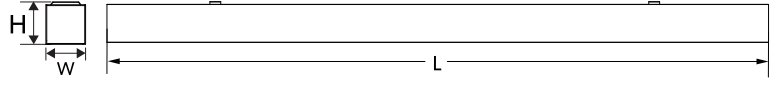


LED Trunking System DALI



Item Code	CCT	kg
534001000100	4000K	1.650kg
549004010400	4000K	1.650kg
549004010500	4000K	1.650kg
542005006600	4000K	1.650kg
542005006700	4000K	1.640kg
542005006800	4000K	1.640kg
542005006900	4000K	1.640kg
542005007000	4000K	1.720kg
542005007100	4000K	1.710kg
542005007200	4000K	1.710kg
542005007300	4000K	1.710kg
542005008600	4000K	1.640kg
542005008700	4000K	1.640kg
542005008800	4000K	1.640kg
542005008900	4000K	1.640kg



Model	L (mm)	W (mm)	H (mm)
LED P Trunking Module 1500mm 35W DALI	1498.5	77.7	66.5
LED P Trunking Module 1500mm 35W DALI(EM)	1498.5	77.7	66.5
LED P Trunking Module 1500mm 50W DALI	1498.5	77.7	66.5
LED P Trunking Module 1500mm 70W DALI	1498.5	77.7	66.5



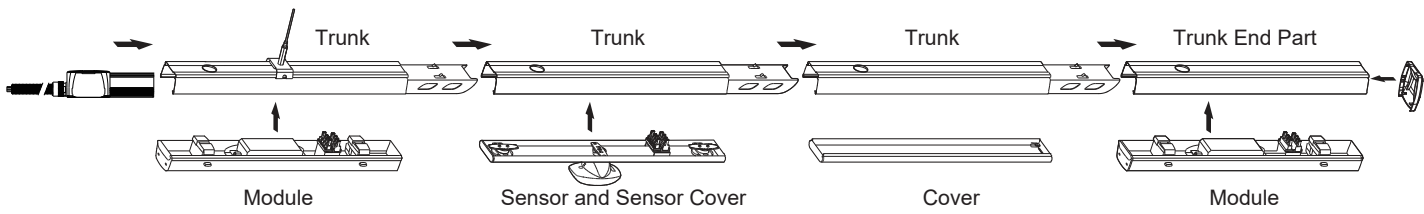
Light Source

Product Code	Product Description	N	Light source code	QR Code	Energy Label
534001000100	LEDTrunking Mod-L15-35W4000-DF-DALI-DZ	1	LS054003515		
549004010400	LEDTrunk Mod L15-35W-4000-DF-DALI-EM1-DZ				
549004010500	LEDTrunk Mod L15-35W-4000-DF-DALI-EM3-DZ				

* This product contains a light source of energy efficiency class (C).

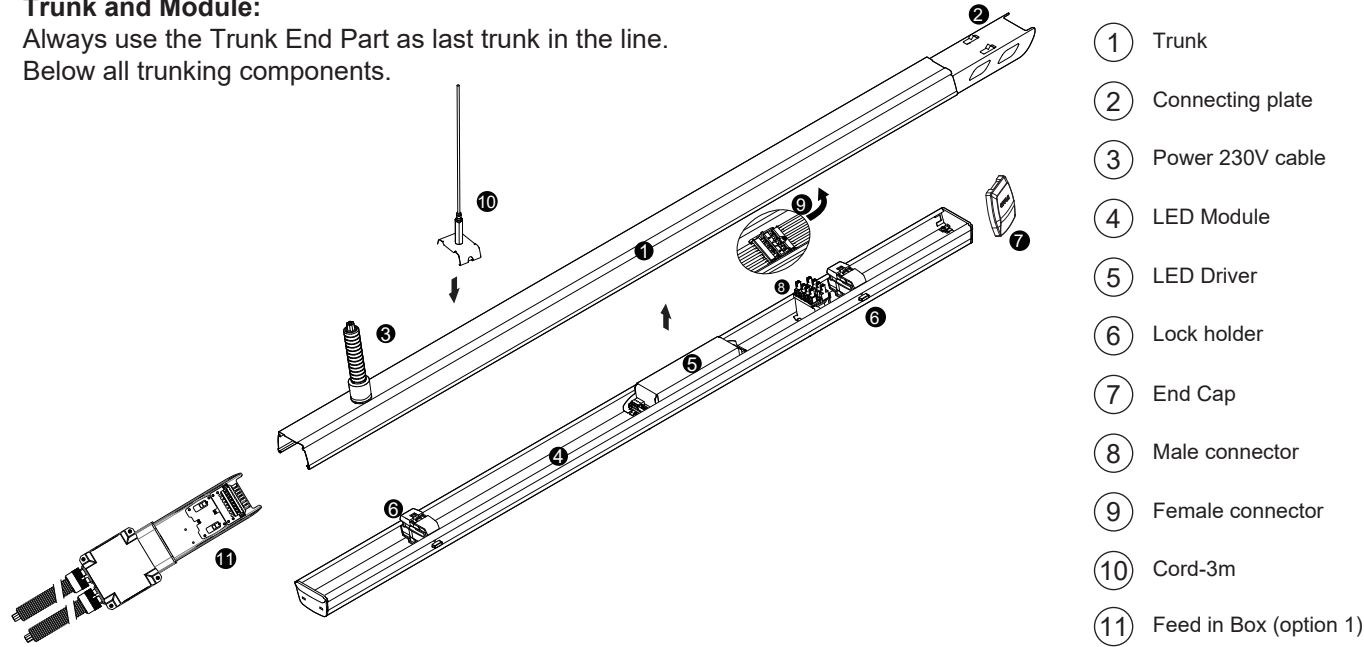
Installation should be performed only by qualified electrician .

Make sure no voltage while installation .
Connect cable wires according to wire labeling.
Max current should not exceed 16A in one power feed in circuit.

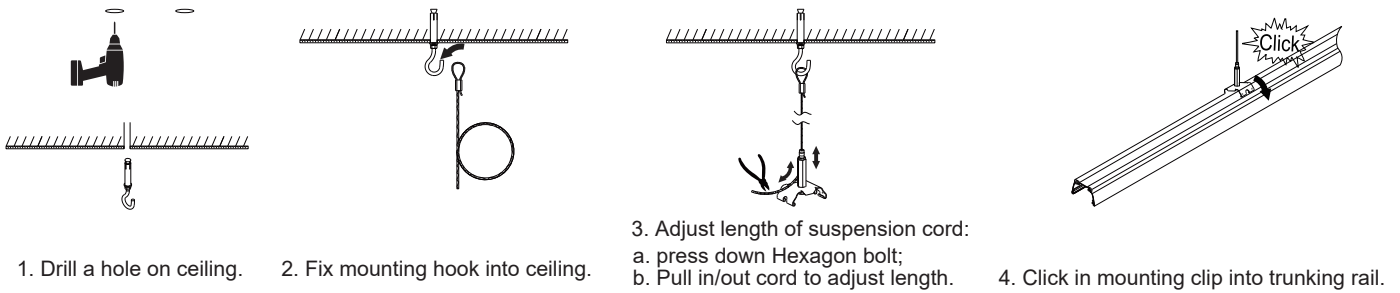


Trunk and Module:

Always use the Trunk End Part as last trunk in the line.
Below all trunking components.

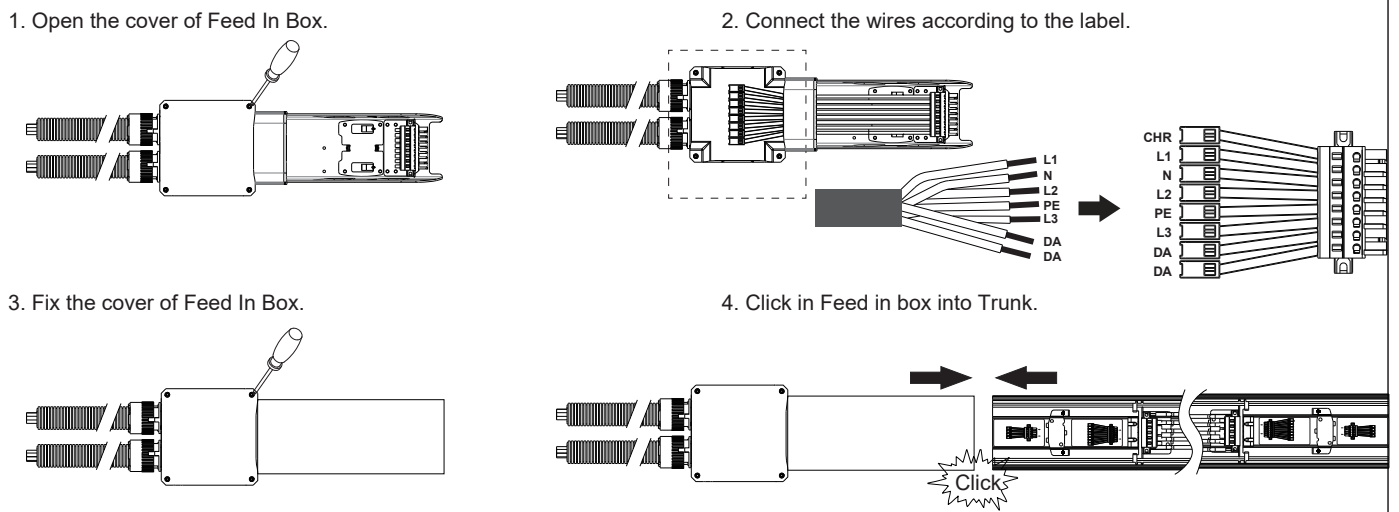


Step 1: Mounting Suspension

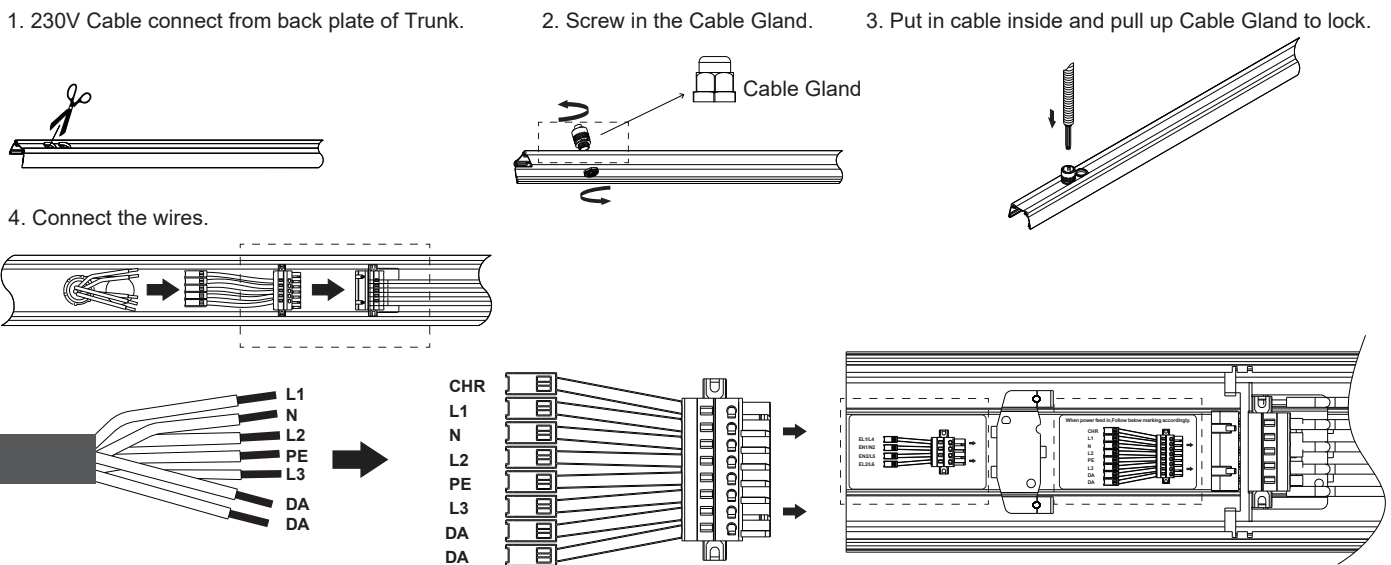


Step 2: Connecting Power Supply

Power connection option 1: 230V Cable Connect with Feed In Box.



Power connection option 2: Connect 230V Cable from back of Trunk with feed-in connector.



CHR: Charge input for internal battery, main supply detection for EMG1 or EMG2.

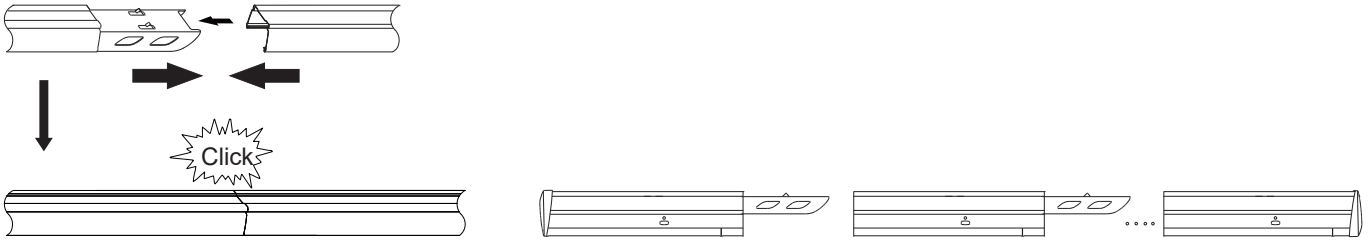
- L1: Live wire 1
- N: Neutral wire 1
- L2: Live wire 2
- PE: Ground
- L3: Live wire 2
- DA: DALI input

Note: Only L1/L2/L3/N1/PE wires are 2.5mm² with 16A, the rest are 1.5mm² with 10A.

Model	Wire Qty	Function Description	Wire Description							
			1	2	3	4	5	6	7	8
1	8-Core	Standard and DALI	CHR	L1	N	L2	PE	L3	DA	DA

Step 3: Connecting of the Trunk

All Trunks should keep in perfect position then push to click.



Total quantity

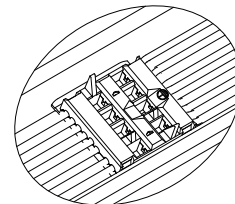
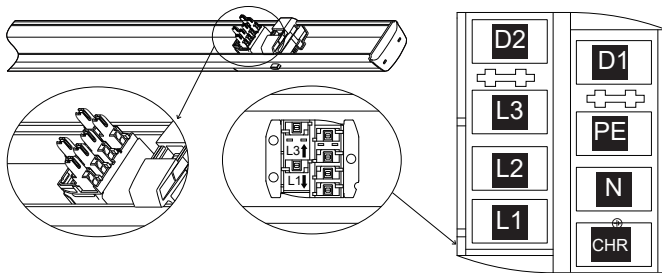
Module	Trunk	Electric Current	Max. Quantity by Cascade Connection	Total Length by Cascade Connection
35W	1.5m	16A	100pcs	150m
35W	3m	16A	50pcs	150m
50W	1.5m	16A	70pcs	105m
50W	3m	16A	35pcs	105m
70W	1.5m	16A	50pcs	75m
70W	3m	16A	25pcs	75m

Max current should not exceed 16A in one power feed in circuit(Total L1+L2+L3).

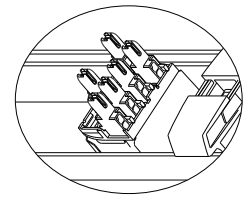
Step 4: Mounting Module

1. Select phase L1/L2/L3 on Module via Label. (Factory setting is L1)

2. Make sure male & female connectors in right position.



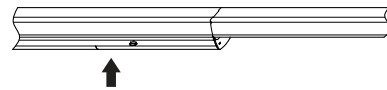
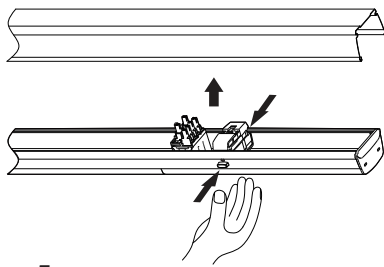
Female connector On Trunk



Male connector on Module

3. Press the lock by both sides and mount the Module.

4. The Module fixed in the Trunk.

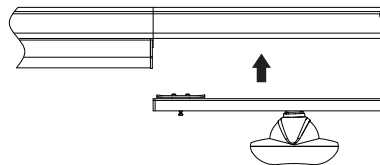
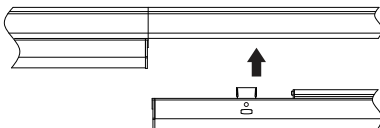


Step 5:

1. Mount the other Module.

2. Mount the Sensor with Sensor cover.

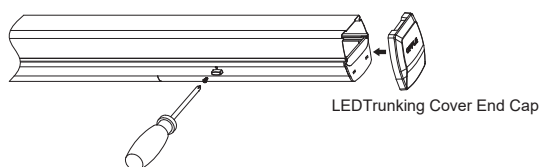
3. Mount the Cover.



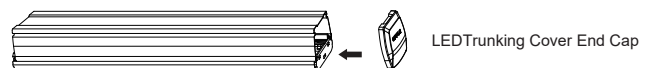
Step 6 (End):

Step 6.1 (the last one-Module)

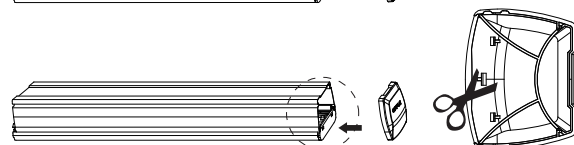
1. Mount Screws on the both sides to lock the Modules.
2. Mount the End Cap.



Step 6.2 (the last one-Cover)

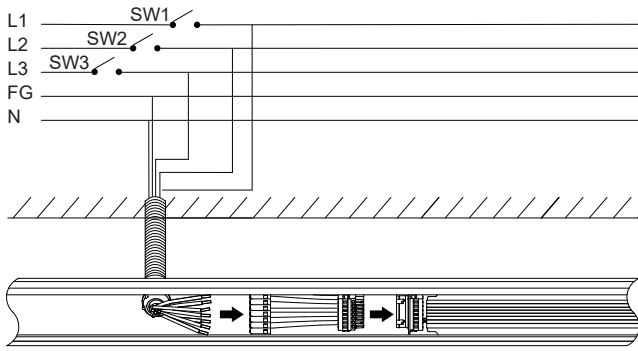


LEDTrunking Cover End Cap



LEDTrunking Cover End Cap

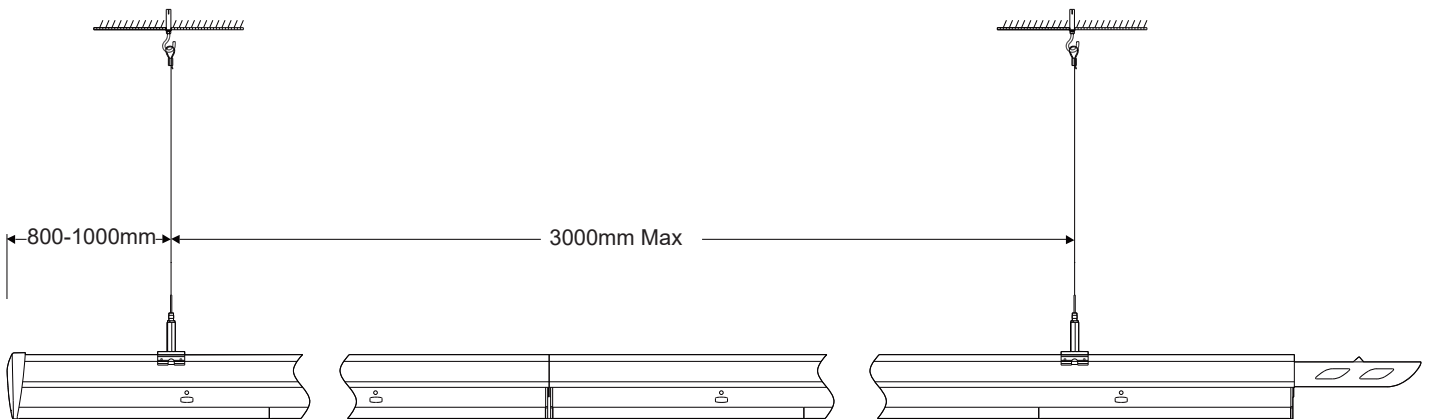
Wire diagram of triple circuits function



This Triple Circuits function offers to control lighting ON/OFF by three switches SW1, SW2, SW3 which are connected by live lines L1, L2, L3.

Pendent mounting installation

Starting Installation distances point should be 800 mm to 1000 mm, then in between 1st & 2nd point should be 3000 mm max.



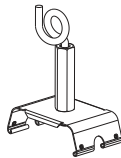
Three options for installation



Cord-3m

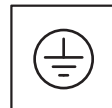
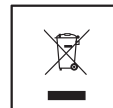
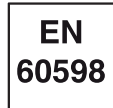
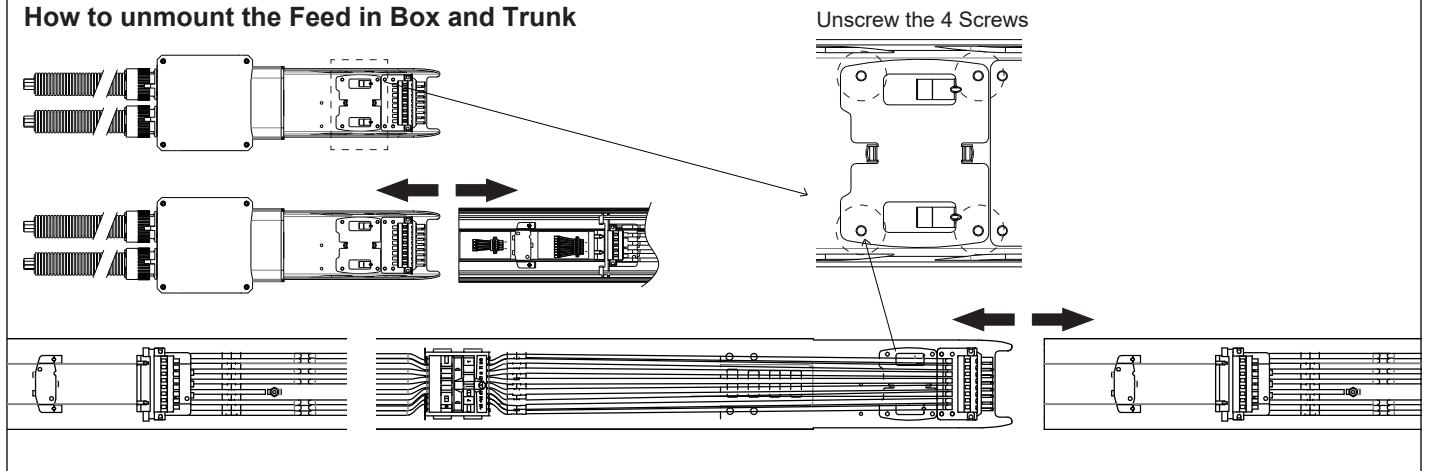


Mounting Clip



Mounting Clip Chain

How to unmount the Feed in Box and Trunk



Data subject to change
Les données sont sujettes à modifications
Änderungen vorbehalten

Opplé Lighting Electronic (Zhongshan) Co., Ltd.
528422
Building A, No.275 Dongan Bei Road,
Haizhou District, Guzhen Town,
Zhongshan City, Guangdong, China.

OPPLE Lighting B.V.
Meerenakkerweg 1.11
5652 AR Eindhoven
The Netherlands
service@opple.com
www.opple.com