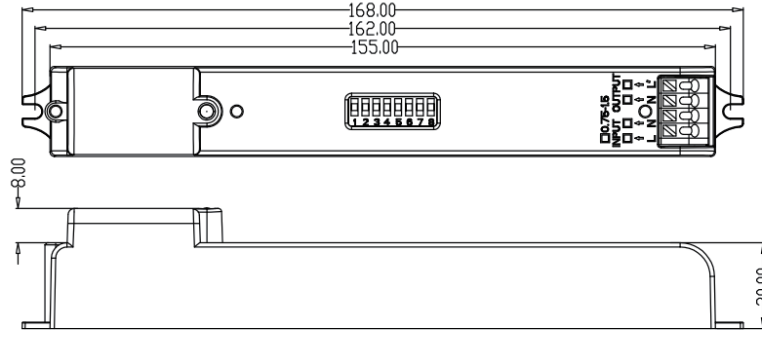
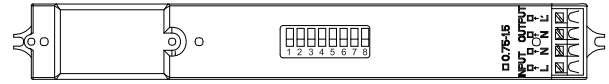


LED WP-CLA-Sensor

Item Code

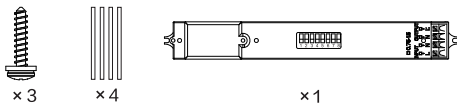


531098000100 LEDWaterproof-CLA-Sensor 0.087kg



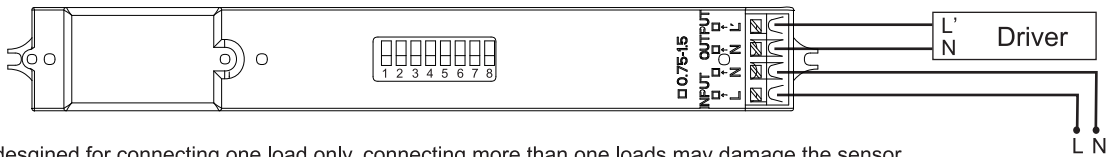
Model	L1 (mm)	L2 (mm)	L3 (mm)	H1 (mm)	H2 (mm)	W (mm)
LEDWaterproof-CLA-Sensor	168.00	162.00	155.00	20.00	8.00	21.00

Components



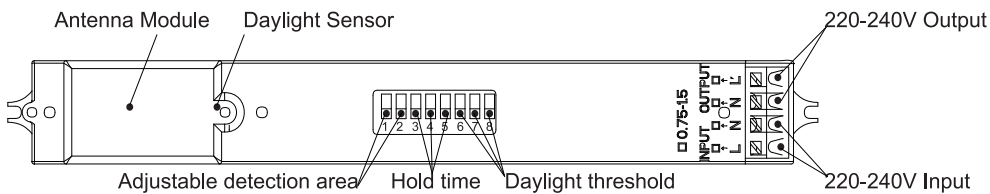
Accessories are included in the package.

Wiring



*The sensor is designed for connecting one load only, connecting more than one loads may damage the sensor.

Structure



Sensor connection

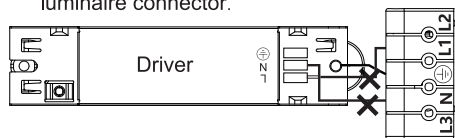
The Sensor Connection instruction only applies to situations where sensor modules need to be installed manually.

Step 1 - Wiring connection.



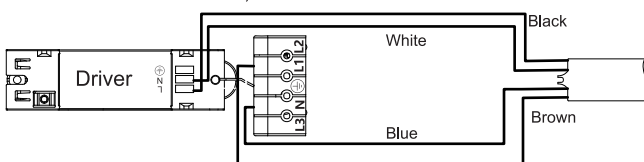
Step 3 - Wiring connection.

Disconnect the blue and brown wires between the driver and luminaire connector.

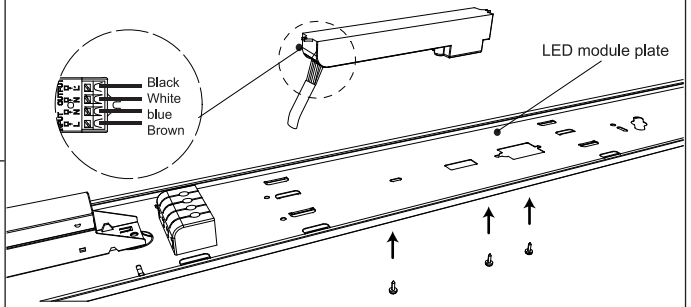


Step 4 - Wiring connection.

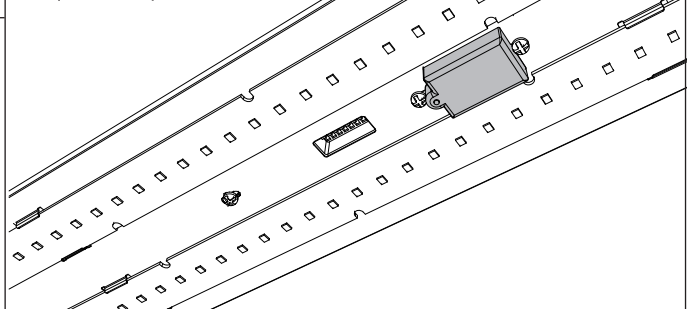
- 1) Connect the sensor to the luminaire connector:
Blue wire with N, Brown wire with L1
- 2) Connect the sensor to the driver:
White wire with N, Black wire with L



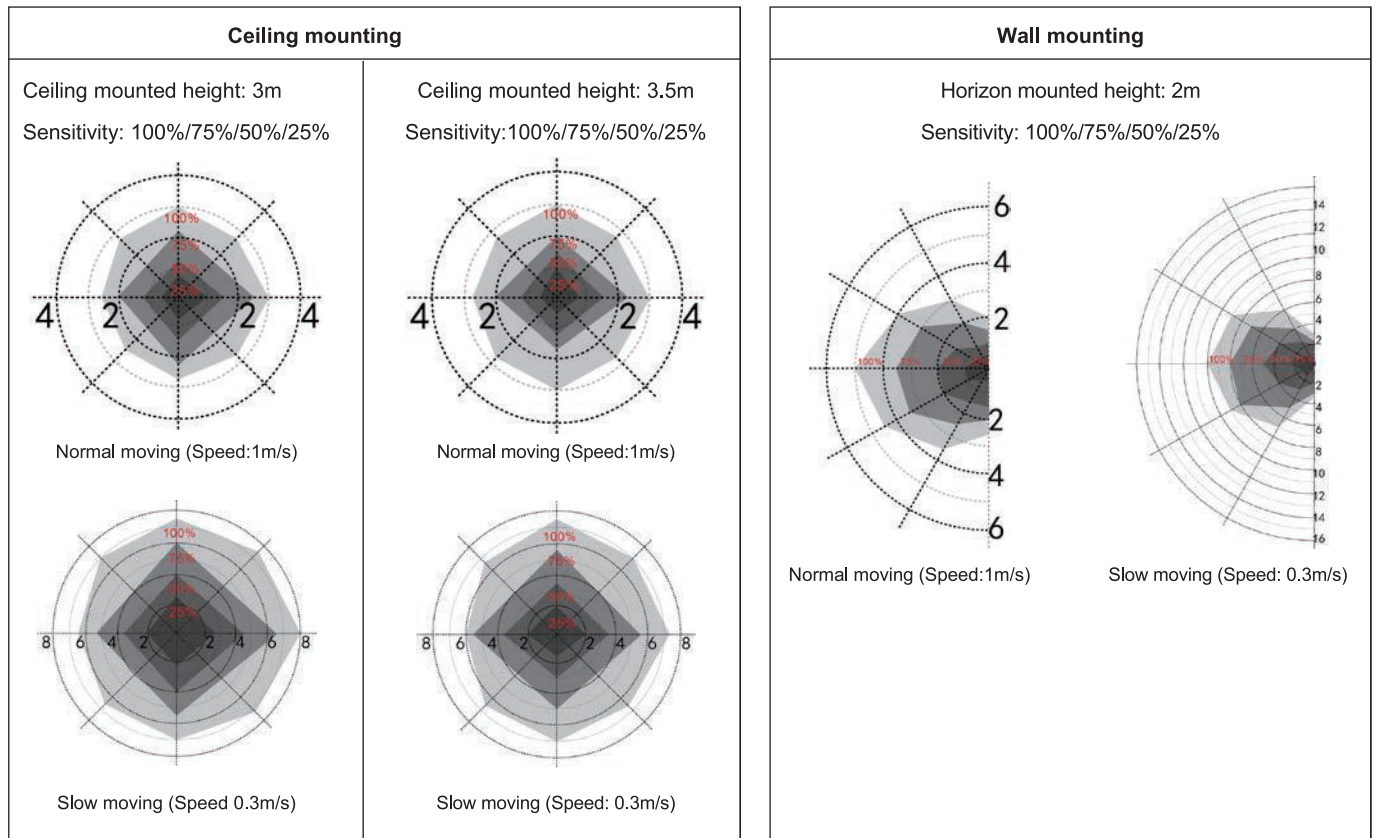
Step 2 - Sensor fixing.



Step 5 - Complete view.



Radiation Pattern



Sensor Setting

By selecting the combination on the DIP switch, sensor data can be precisely set for each specific application.

Detection Area (Sensitivity)			
	1	2	
I	ON	ON	100%
II	-	ON	75%
III	ON	-	50%
IV	-	-	25%

Detection area can be reduced by selecting the combination on the DIP switches to precisely fit each application.

Hold time				
	3	4	5	
I	ON	ON	ON	5S
II	-	ON	ON	30S
III	ON	-	ON	90S
IV	-	-	ON	3min
V	ON	ON	-	20min
VI	-	-	-	30min

Refers to the time-period the luminaire remains at 100% illumination after no motion detected.

Daylight sensor				
	6	7	8	
I	ON	ON	ON	2Lux
II	ON	ON	-	10Lux
III	-	ON	-	25Lux
IV	ON	-	-	50Lux
V	-	-	-	Disable*

The sensor can be set to only allow the luminaire to illuminate below a defined ambient brightness threshold. When set to Disable mode, the daylight sensor will switch on the luminaire when motion is detected regardless of ambient light level.
50lux, 25lux: twilight operation;
10lux, 2lux: darkness operation only.

*Disable means the daylight sensor does not work. The sensor will turn on light once motion is detected regardless of ambient light level.



Data subject to change
Les données sont sujettes à modifications
Änderungen vorbehalten

Oppl Lighting Electronic (Zhongshan) Co., Ltd.
Building A, No.275 Dongan Bei Road, Haizhou District,
Guzhen Town, Zhongshan City, Guangdong, China.

OPPLE Lighting B.V.
Meerenakkerweg 1.11
5652 AR Eindhoven
The Netherlands
service@opple.com
www.opple.com