

KP AQ4 50 DUL 8.10 VKL11 FRSM10 V2A (540 263)

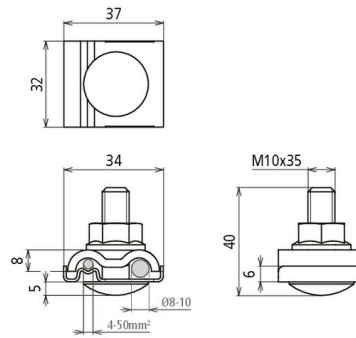


Figure without obligation

UNI earth clamp for incorporating parts of an installation in the functional equipotential bonding, lightning equipotential bonding or in the functional earthing. Contact plate with double clamp. StSt type, with M10 screw and self-locking nut with serrated bearing.

The StSt contact plate (intermediate element) allows different conductor materials (Cu, Al, St/tZn and StSt) to be connected to the normal mounting systems, e.g. to aluminium, without the risk of contact corrosion.

The double clamp design allows easy and quick interconnection of the profiles, e.g. by feed-through wiring.

Type	KP AQ4 50 DUL 8.10 VKL11 FRSM10 V2A
Part No.	540 263
Material of clamp	StSt
Clamping range Rd	8-10 mm
Connection (solid / stranded)	4-50 mm ²
Screw	⬆ M10 x 35 mm
Material of screw / nut	StSt
Weight	77 g
Customs tariff number	85389099
GTIN	4013364449244
PU	10 Stk

We reserve the right to introduce changes in performance, configuration and technology, dimensions, weights and materials in the course of technical progress. The figures are shown without obligation.