

# Product Data Sheet

## GW94360

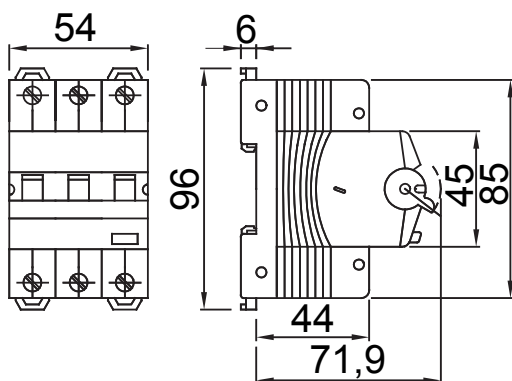
90 RCD Range



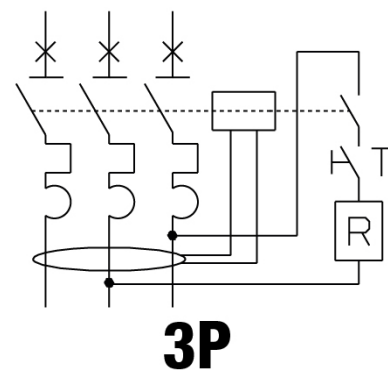
|   |                                  |
|---|----------------------------------|
| Description                               | RCCB WITH OVERCURRENT PROTECTION |
| Code                                      | MDC 60                           |
| No. of poles                              | 3P                               |
| No. modules                               | 3                                |
| Rated current                             | 32 A                             |
| Rated residual operating current          | 300 mA                           |
| Type                                      | A                                |
| Curve                                     | C                                |
| Rated voltage (IEC/EN 61009-1, 61009-2-1) | 400/415 V                        |

|  |   |   |   |
|--|---|---|---|
| Energy limiting class                  | 1   | Standard                                    | IEC/EN 61009-1, IEC/EN 61009-2-1              |
| Rated frequency (Hz)                   | 50/60 Hz                                      | Breaking capacity IEC/EN 61009-1 400V (Icn) | 6000 A  |
| Breaking capacity IEC/EN 61009-1 (Ics) | 1 x Icn                                       | Breaking capacity IEC/EN 60947-2 400V (Icu) | 6 kA  |
| Breaking capacity IEC/EN 60947-2 (Ics) | 100% Icu                                      | Insulation voltage                          | 500 V   |
| Level of immunity (8/20 μs)            | 250 A   | Rated impulse withstand voltage             | 4 kV  |
| Overvoltage category                   | III   | Electrical endurance                        | 10.000  |
| Mechanical endurance                   | 20.000  | Section rigid cable                         | <=1x35 - <=2x16 - <=1x16+2x10 mm <sup>2</sup> |
| Section flexible cable                 | <=1x35 - <=2x16 - <=1x16+2x10 mm <sup>2</sup> | Double connection                           | YES (only down stream)                        |
| Rated tightening torque                | 2 Nm  | Operating temperature                       | -25 +60° C (derating of In with T>30° C)      |
| Stocking temperature                   | -40 +70 °C                                    | Auxiliaries compatibility                   | Yes   |
| Assembly position                      | Any   |   |   |

### DIMENSIONAL



### WIRING DIAGRAM



### STANDARDS/APPROVALS

