

CHLOE AR111 GU10

SLIP005039



See
more

Surface-mounted luminaire CHLOE AR111 GU10 for replaceable light source. Designed for surface mounting.

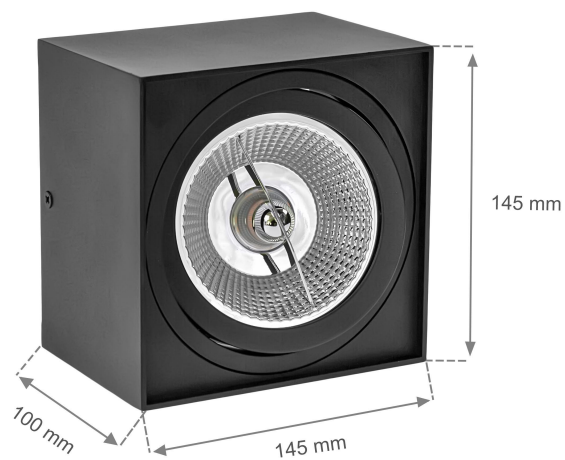


Voltage **250 V**

Degree of protection (IP) **IP20**


Technical data

Code	SLIP005039
Voltage	250 V
Protection class	II
Light source included	No
Working temperature range	-20/+40 °
Lifespan	17000 h
Housing material	Aluminum
Degree of protection (IP)	IP20
Colour	Black
Dimension (AxBxC)	145x145x100 mm
For use	Inside
Assembly method	On the ceiling
Application	INT
Made in	PRC
Other	MAX 20W LED; NO INTENDED FOR HALOGEN ,




Related documents



 User manual




 Declaration of Conformity



 Photometric file



 3D model

