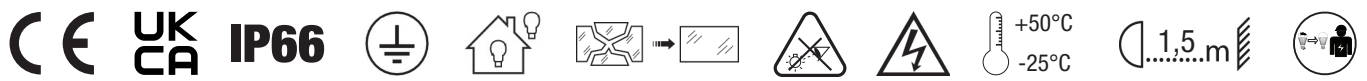
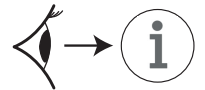
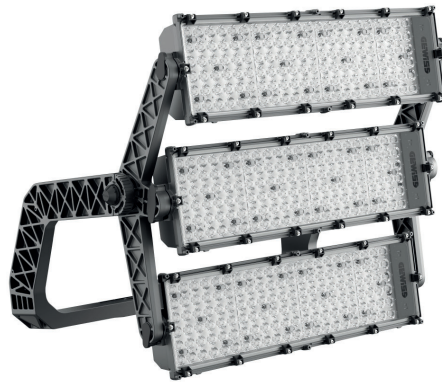


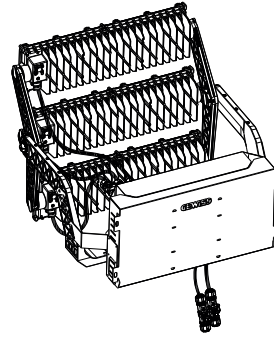
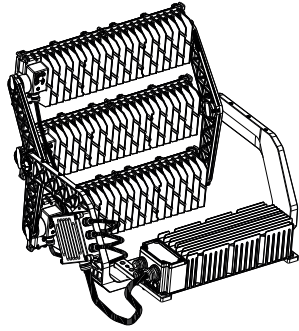
STADIUMPRO | 3

GEWISS

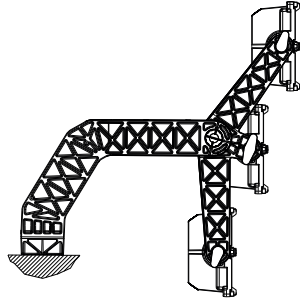


| | | | | I | U_{out} |
|--|-------|----------------------|----------------------|-----------|------------------------|
| | 29 Kg | 0,111 m ² | 0,362 m ² | Max 1,2 A | Max 600 V [~] |

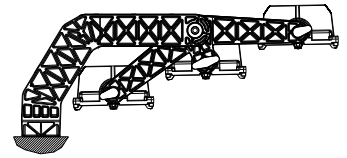
| $t_a +50^{\circ}\text{C}$ | $t_a +35^{\circ}\text{C}$ |
|---------------------------|---------------------------|
| | ← Max = 200 m → |
| | ← Max = 200 m → |
| | ← Max = 200 m → |



| Ta | Power [W] | Flux [lm] |
|-------|-----------|-----------|
| +25°C | 100% | 100% |
| +30°C | 100% | 100% |
| +35°C | 100% | 100% |
| +40°C | 100% | 100% |
| +45°C | 95% | 95% |
| +50°C | 90% | 90% |

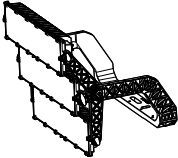
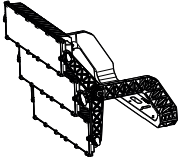
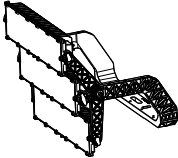
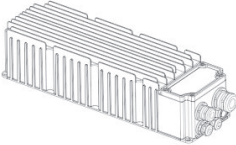
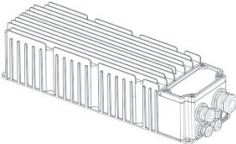
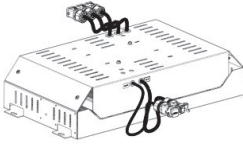
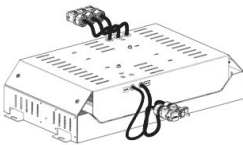
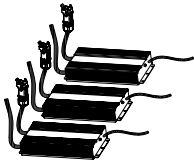
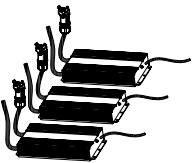


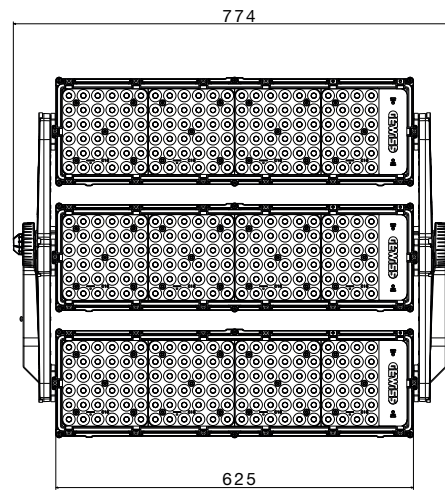
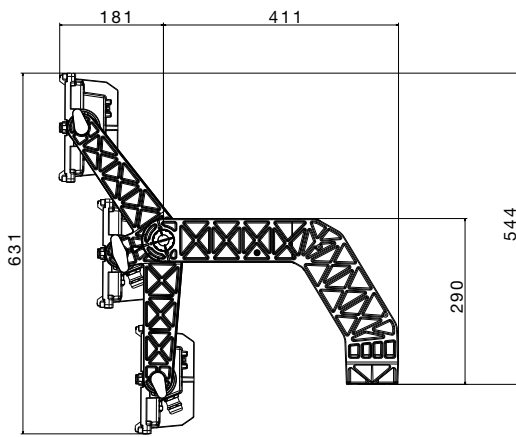
| Ta | Power [W] | Flux [lm] |
|-------|-----------|-----------|
| +25°C | 100% | 100% |
| +30°C | 100% | 100% |
| +35°C | 100% | 100% |
| +40°C | 95% | 95% |
| +45°C | 92% | 92% |
| +50°C | 88% | 88% |



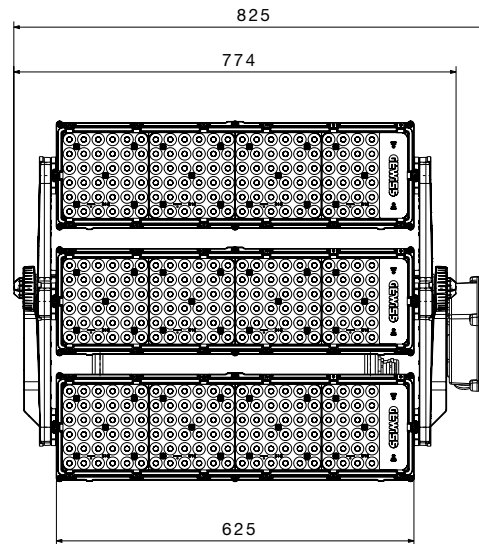
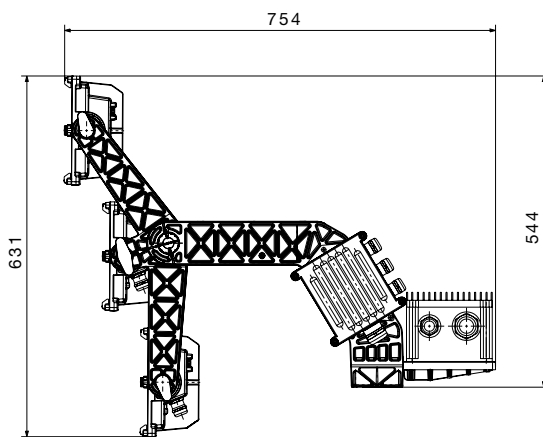
| LED CCT | | ≤ 5700 K |
|---------|---------|----------|
| Optics | | RG1 |
| | S1 | 20 m |
| | 20°x80° | |
| | A1 | 15 m |
| | 45° | |
| | A2 | 14 m |
| | 60° | |
| | C1 | 22 m |
| | 40° | |
| | C2 | 23 m |
| | 30° | |

| LED CCT | | ≤ 5700 K |
|---------|-----|----------|
| Optics | | RG1 |
| | C3 | 23 m |
| | 20° | |
| | C4 | 24 m |
| | 15° | |
| | C5 | 24 m |
| | 10° | |
| | C6 | 23 m |
| | 8° | |

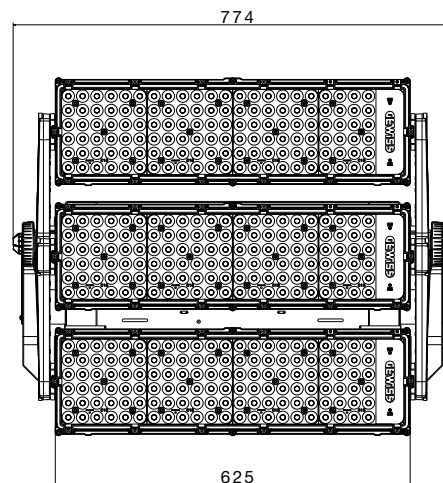
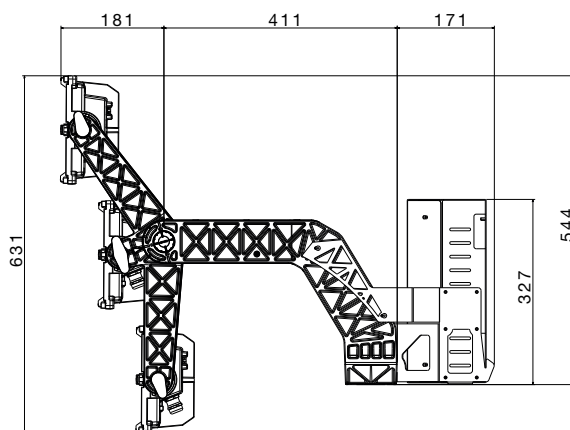
| | GWP3331AXXX | GWP3332AXXX | GWP3336AXXX |
|---|---|--|---|
| |  |  |  |
| GWP30031  | 1450W (400V: 1445W) | 1460W (400V: 1455W) | 1450W (400V: 1445W) |
| GWP30032  | | | |
| GWP30033  | 1520W | 1530W | 1520W |
| GWP30035  | 1500W | 1530W | 1500W |
| 3 x GWP30015  | 1500W | 1520W | 1500W |
| 3 x GWP30017  | 1500W | 1520W | 1500W |

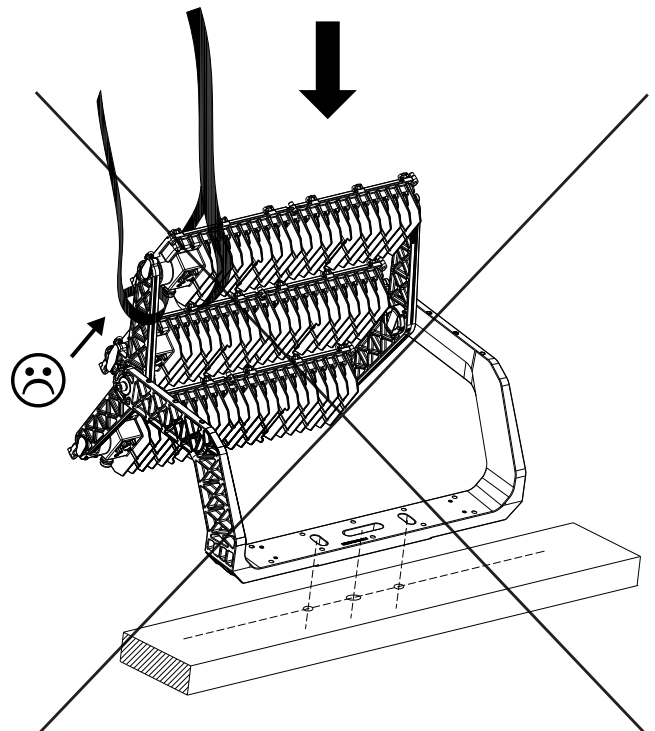
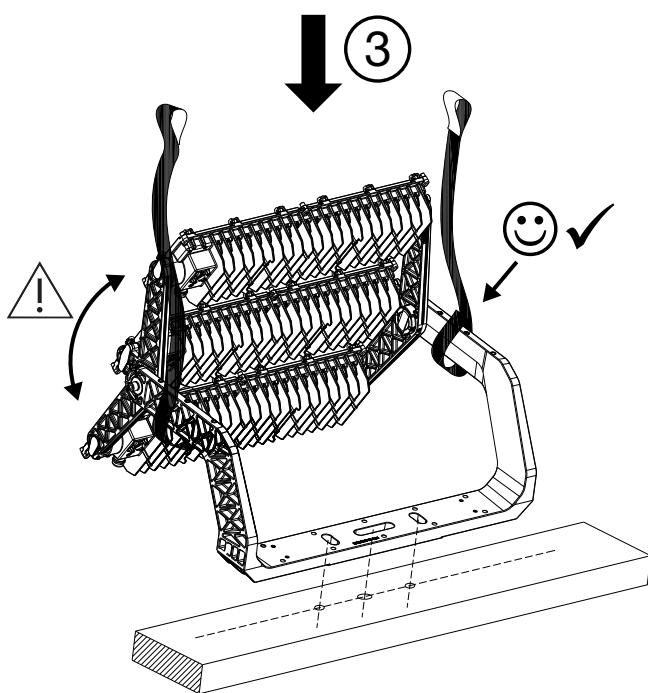
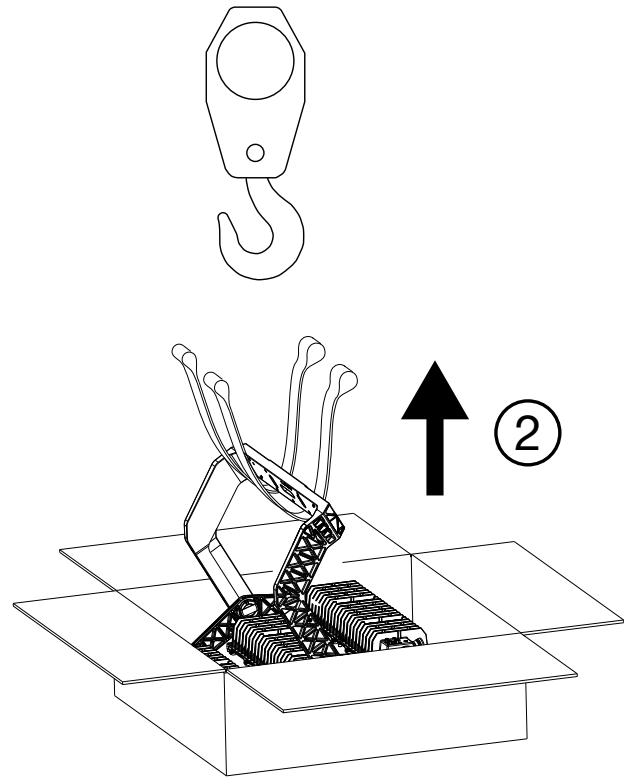
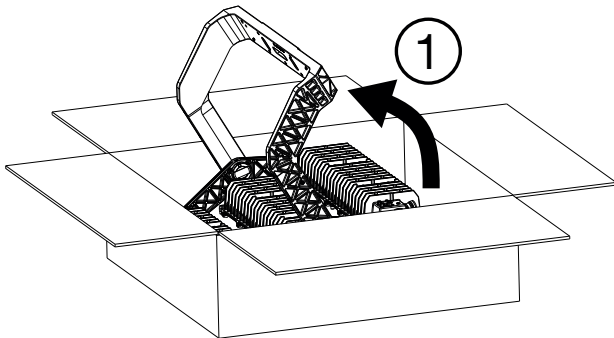


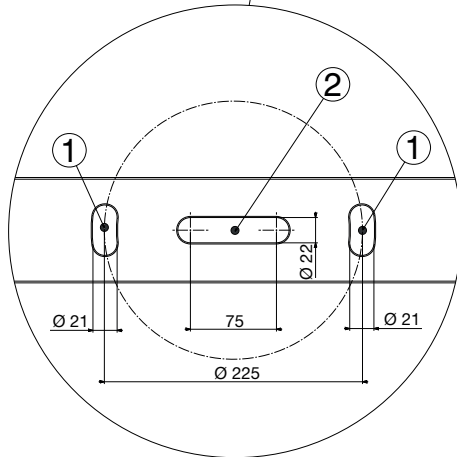
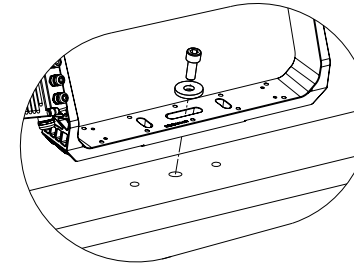
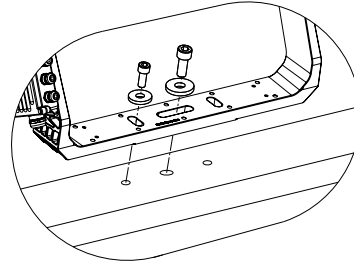
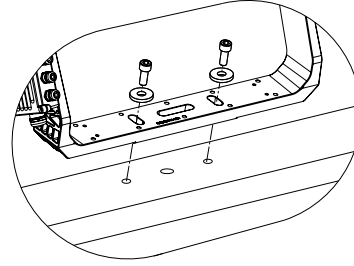
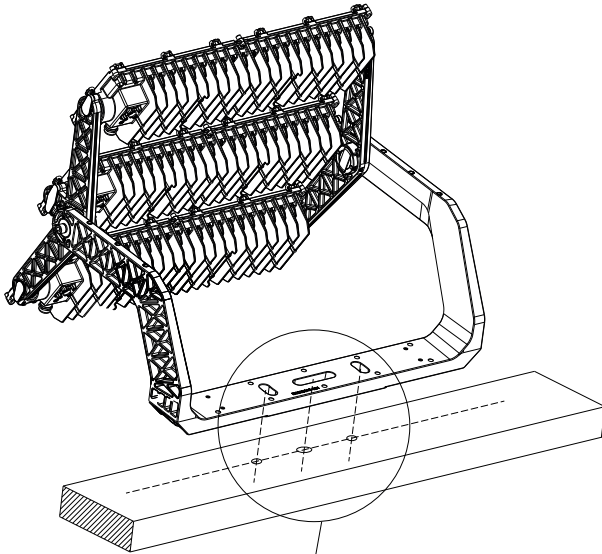
STADIUMPRO | 3 + GWP30001
GWP30030
GWP30031 (GWP30032) →



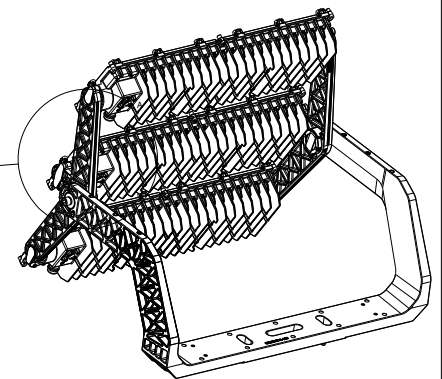
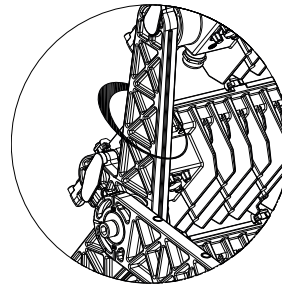
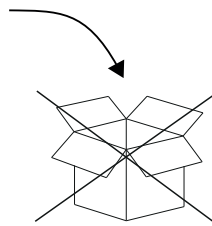
STADIUMPRO | 3 + GWP30005
GWP30033 (GWP30035) →







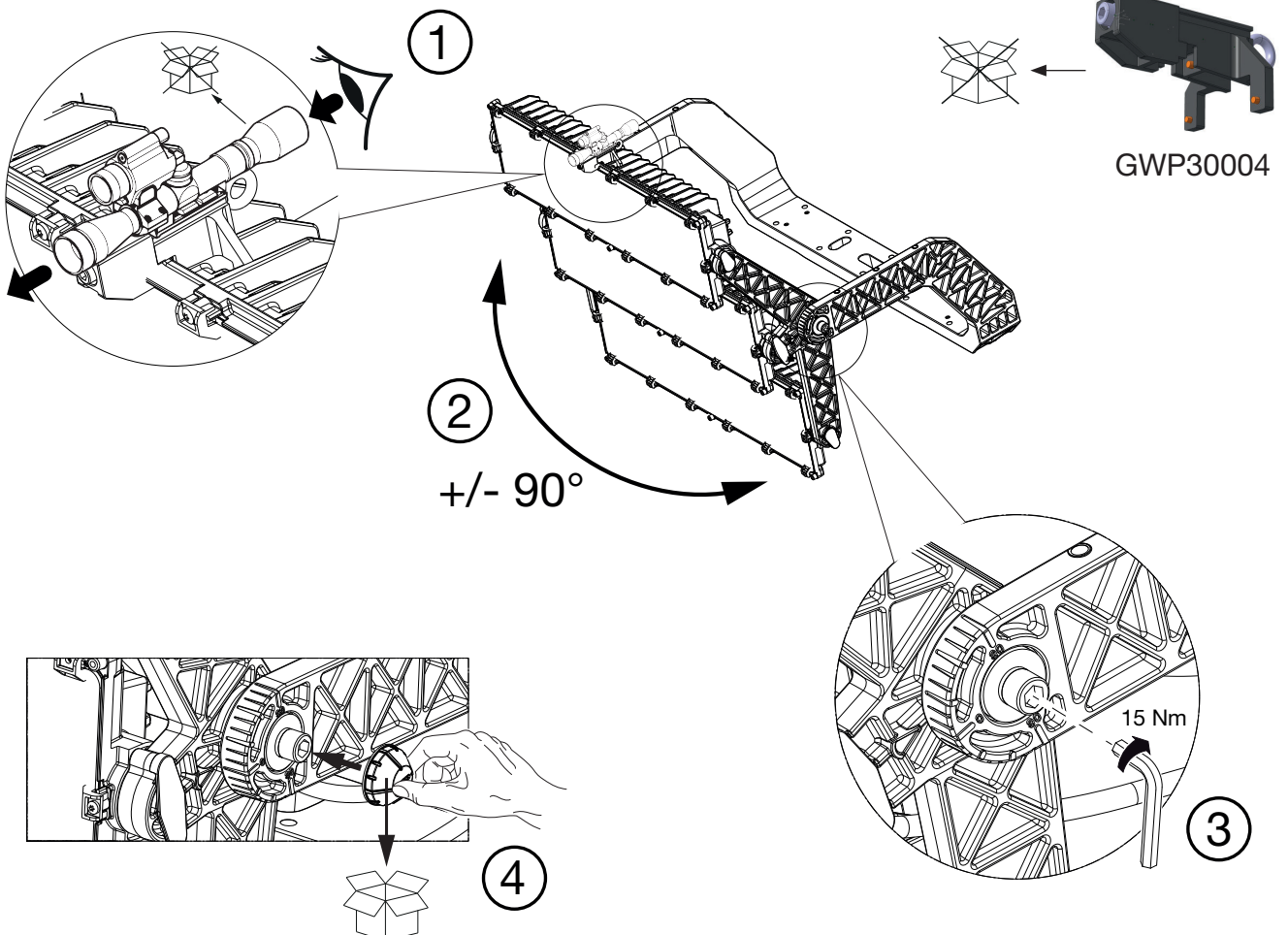
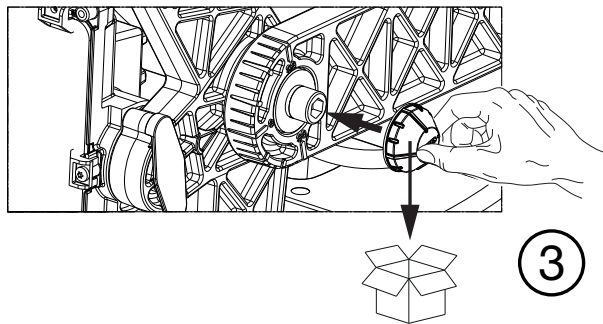
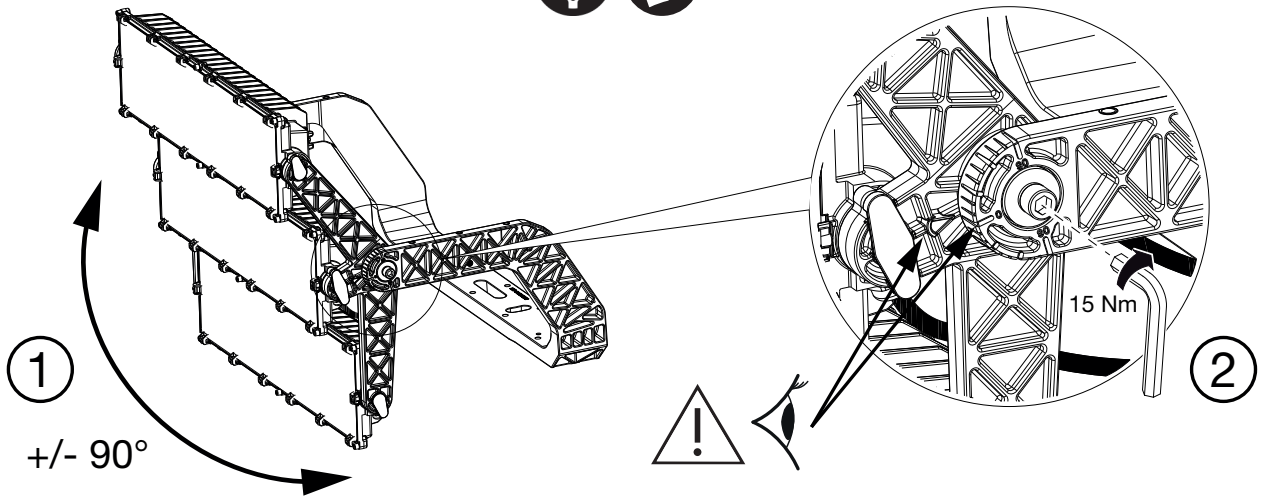
| | | |
|---|--|---------|
| ① | | M16 |
| | | DIN7980 |
| ② | | M20 |
| | | DIN7980 |

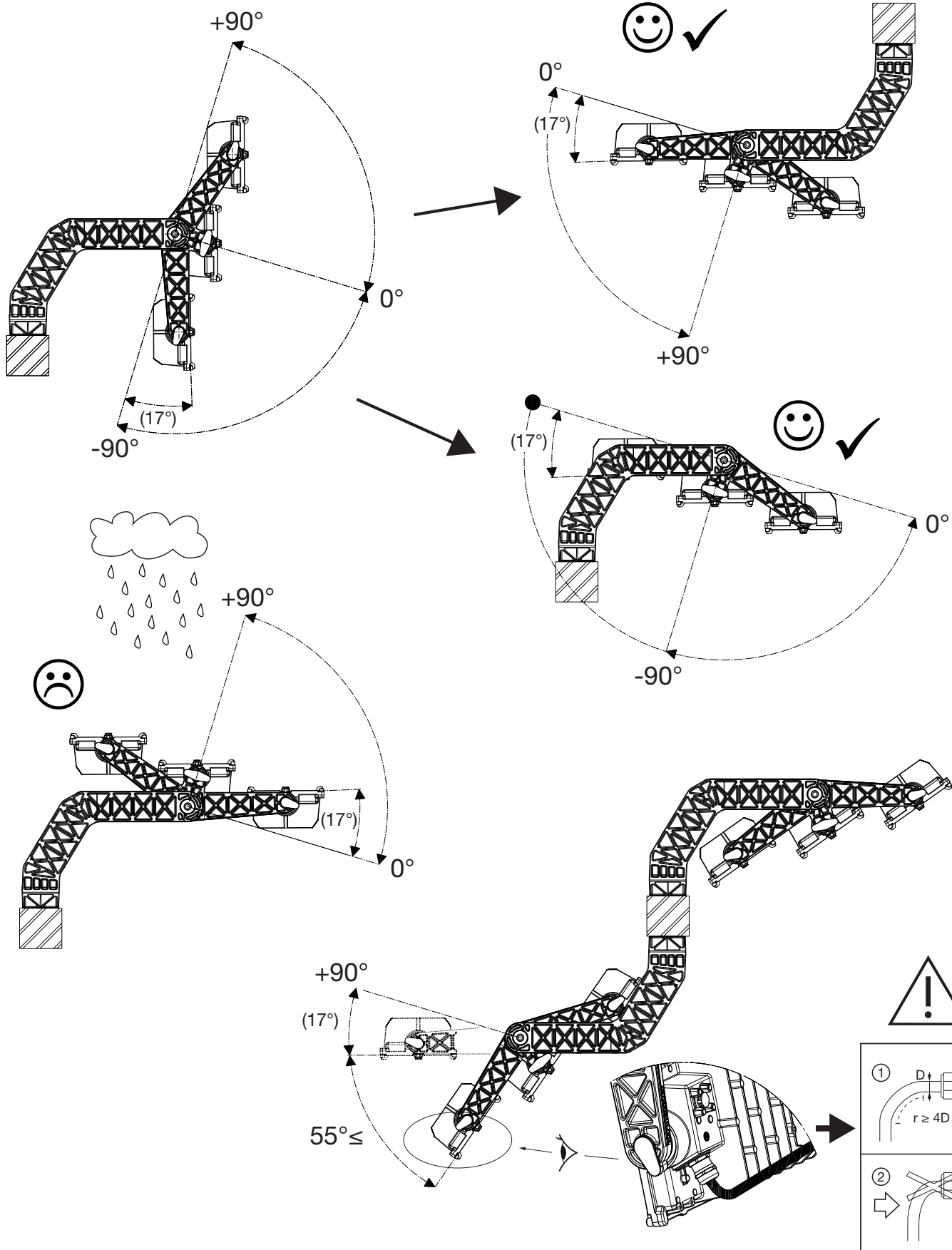


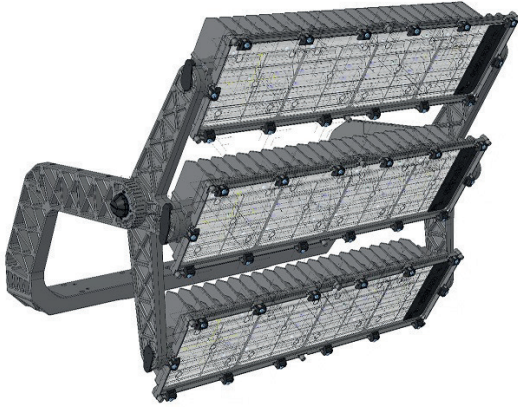
IT Per installazioni superiori a 3m assicurare il proiettore sulla spalla metallica con catena (es. GWS6922) o cavo di acciaio. -

AR اطال دن يدالوف لباك وا (GWS6922 قبا سلا ليدولما) ؤلس لسب فاشا فلدا نيم ائب مق براتم 3 زواجتي عافترا ىلع بيجفرتلل.

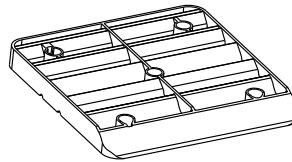
BE Для устаноўкі вышэй за 3 м замаўчайце пражэктар на раме з дапамогай ланцуга (раней GWS6922) або сталёвага кабеля. - **BG** За монтаж на височина, по-голяма от 3 метра, закрепете прожектора при рамката с верига (напр. GWS6922) или стоманен кабел. - **CS** Při instalaci do výšky větší než 3 metry zajistěte světlomet k rámečku pomocí řetězu (ex GWS6922) nebo ocelového lanka. - **DA** For installationer på over 3m skal projektøren fastgøres på metalansatsen med kæde (eks. GWS6922) eller stålkaabel. - **DE** Bei Installationen über 3m den Scheinwerfer auf der Metallschulter mit Kette (Bsp. GWS6922) oder Stahlseil sichern. - **EL** Για εγκαταστάσεις άνω των 3 μέτρων στερεώστε τον προβολέα στη μεταλλική βάση με αλυσίδα (π.χ. GWS6922) ή σιματόσχοινο. - **EN** For installation higher than 3m secure the floodlight at the frame with chain (ex GWS6922) or steel cable. - **ES** Para instalaciones superiores a 3m, asegurar el proyector en el soporte metálico con cadena (por ej.: GWS6922) o cable de acero. - **ET** Paigaldamiseks kõrgemale kui 3 m kinnitage prožektor raami külge keti (nt GWS6922) või teraskaabli abil. - **FI** 3 metriä ylittävälle asennuksille valonheittimen kiinnitys metallitukeen on varmistettava ketjulla (esim. GWS6922) tai teräskaapelilla. - **FR** Pour les installations de plus de 3 m, fixer le projecteur sur l'épaulement métallique avec une chaîne (p. ex. GWS6922) ou un câble en acier. - **GA** Má táthar chun é a shuiteáil níos airde ná 3m, daingnigh an tuilsolas ag an bhfráma le slabhra (m. sh. GWS6922) nó le cábla cruach. - **HR** Kod postavljanja na visini većoj od 3 m učvrstite reflektor na metalnom okviru pomoću lanca (npr. GWS6922) ili čeličnog kabela. - **HU** 3 méteren túllérő telepítések esetén biztosítsa ki a fényvetőt a fémrattórnál láncsal (pl. GWS6922) vagy acélkábellel. - **KK** 3 метрден жоғары биіктікке орнатылатын болса, прожекторды жақтауға шынжыр (ex GWS6922) немесе болат арқанның көмегімен бекітіңіз. - **LT** Jei norite įrengti prožektorių aukščiau nei 3 m, pritvirtinkite jį prie rėmo su grandine (pvz. GWS6922) arba plieniniu kabeliu. - **LV** Uzstādot augstūmā, kas lielāks par 3 m, nostipriniet prožektoru gaismu, pie rāmja pievienojot ķēdi (piem., GWS6922) vai tērauda trosi. - **MT** Għal installazzjoni f'għoli ta' aktar minn 3 m, waħħal il-floodlight mill-frejġ b'katina (ex GWS6922) jew b'kejbil tal-azzar. - **NL** Voor installaties hoger dan 3m moet het spreidlicht op de metalen houder met ketting (es. GWS6922) of stalen kabel bevestigd worden. - **NO** For installasjoner over 3 m må projektoren sikres på metallanslag med kjede (f.eks. GWS6922) eller stålkaabel. - **PL** W instalacjach powyżej 3 m przymocować projektor na metalowym ramieniu łańcuchem (np. GWS6922) lub stalowym kablem. - **PT** Para instalações acima de 3 m, prenda o projetor no suporte metálico com corrente (p. ex., GWS6922) ou cabo de aço. - **RO** Pentru instalarea la o înălțime mai mare de 3m asigurati proiectorul de cadru cu un lanț (ex GWS6922) sau un cablu de oțel. - **RU** При установке выше 3м закрепите прожектор на металлическом кронштейне цепью (например, GWS6922) или стальным тросом. - **SK** Při inštalácii do výšky väčšej než 3 metre zaistite svetlomet k rámečku pomocou reťaze (ex GWS6922) alebo ocelového lanka. - **SL** Za montažo višje 3 m projektor pritrdite na kovinsko konzolo z verigo (npr. GWS6922) ali jekleno vrvjo. - **SV** För installationer högre än 3 meter ska strålkastarens metallram säkras med kedja (t.ex. GWS6922) eller stålvaajer. - **TR** 3m'den daha yüksek bir konuma montaj için, projektörü çerçeveye zincir (örn. GWS6922) ya da çelik kablo ile sabitleyin. - **ZH** 如果在 3m 以上高度安装, 则应使用链条 (ex GWS6922) 或钢缆, 将泛光灯固定于车架。



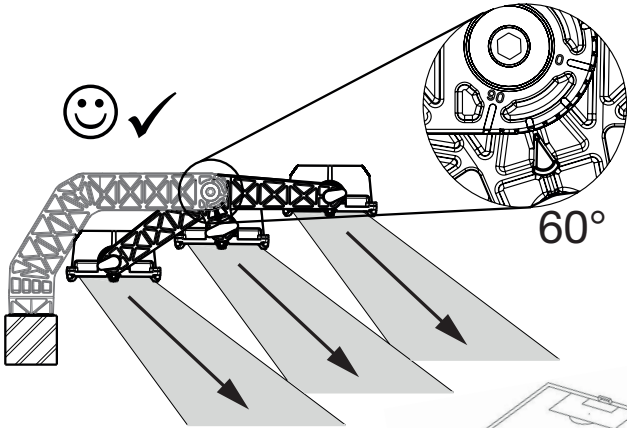
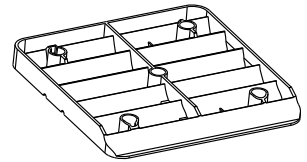




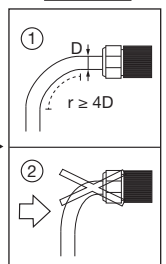
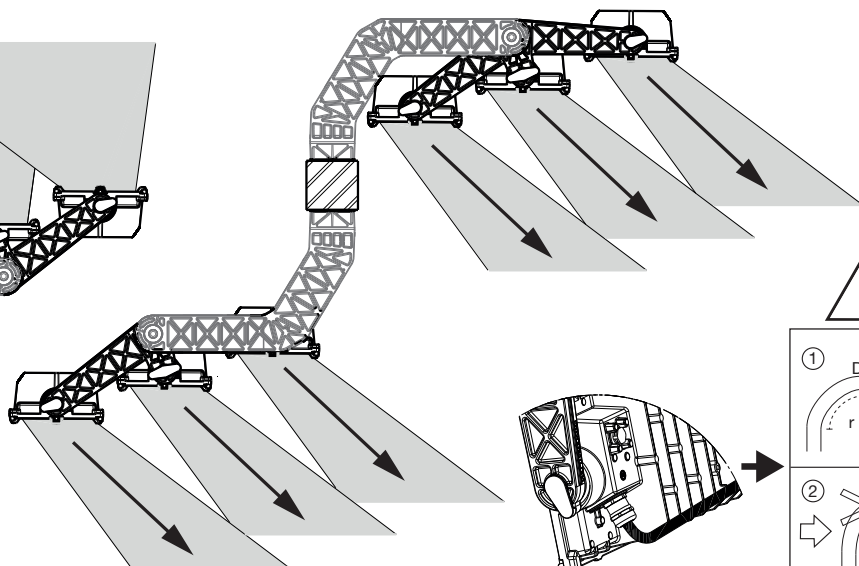
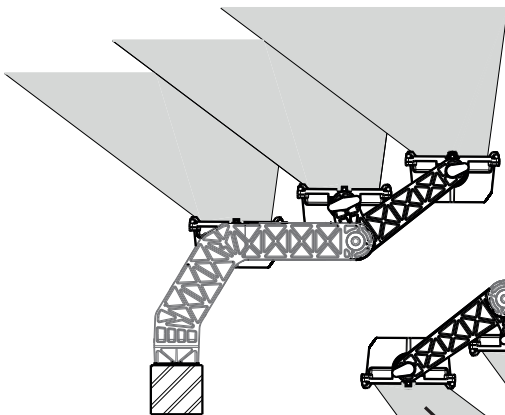
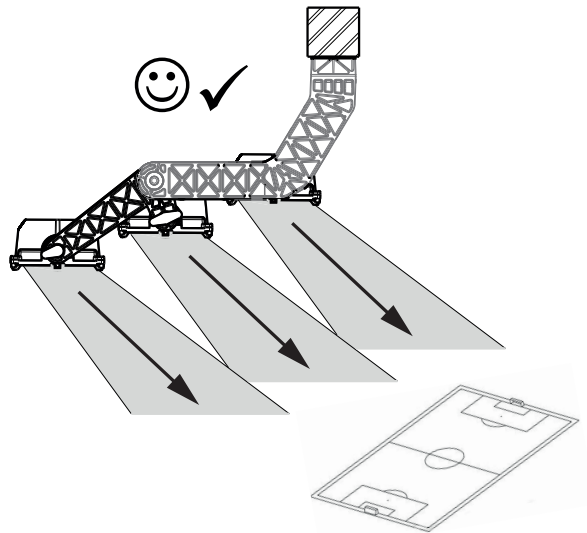
A1

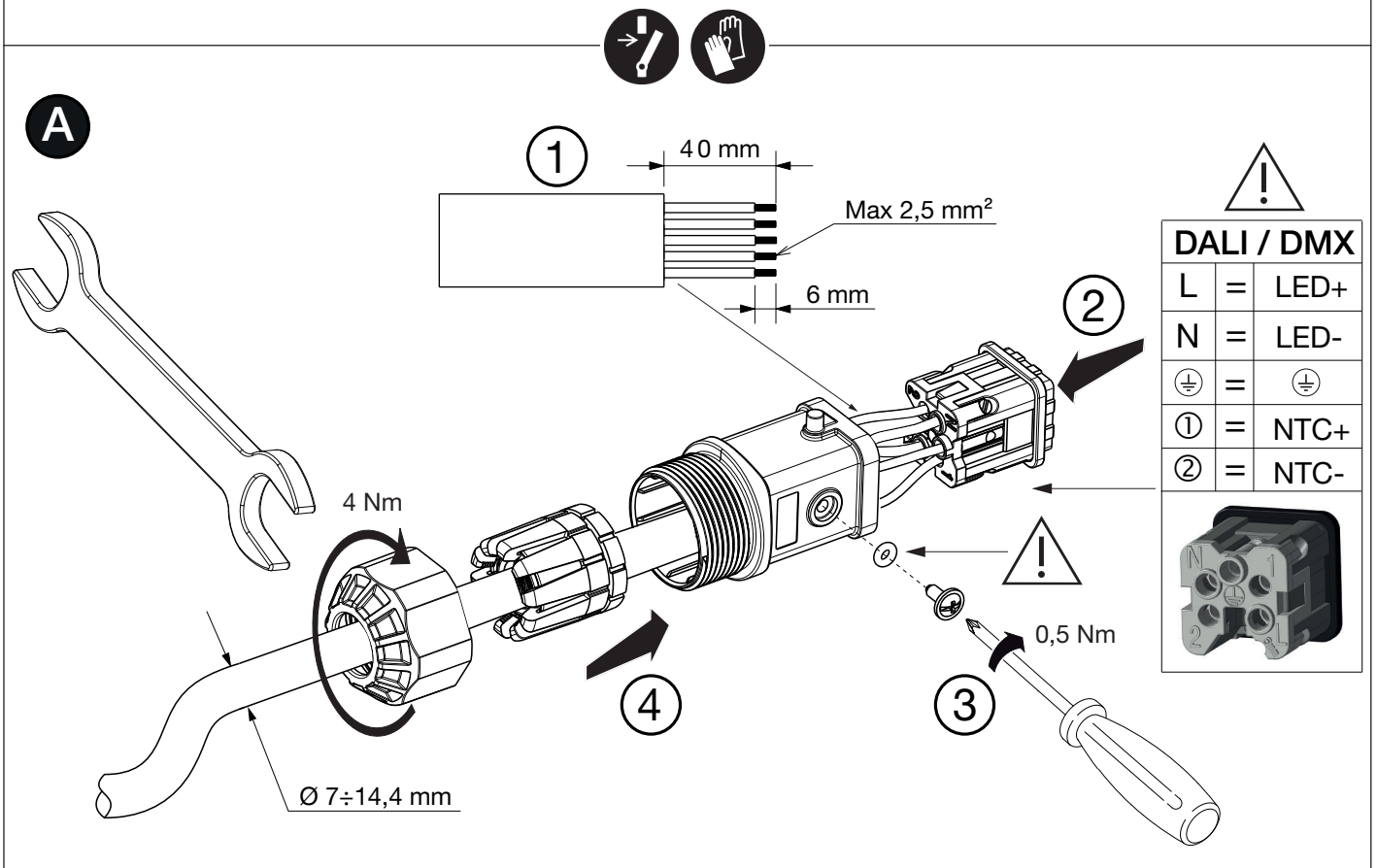
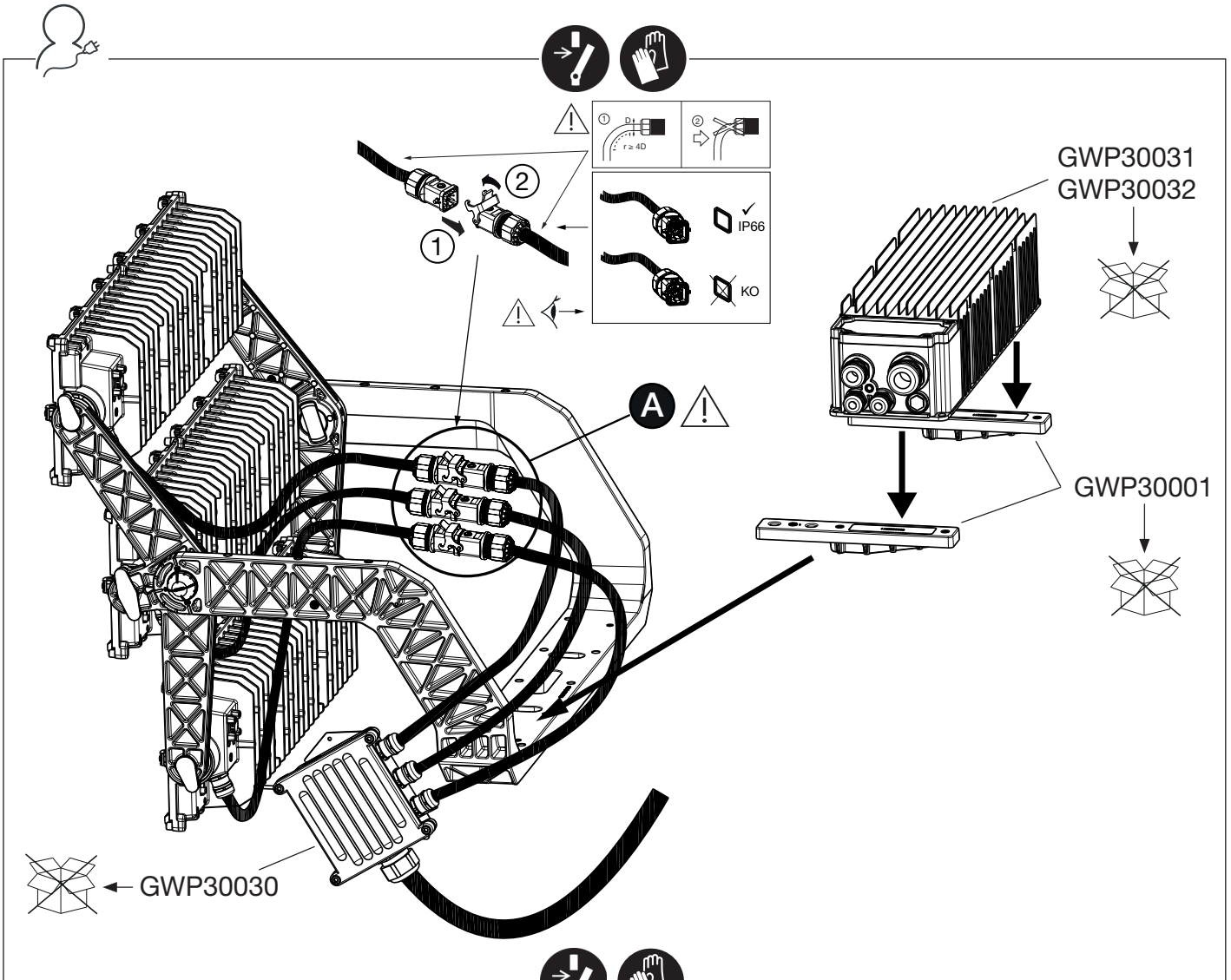


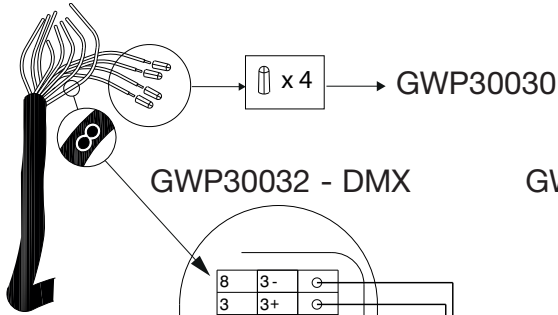
A2



60°

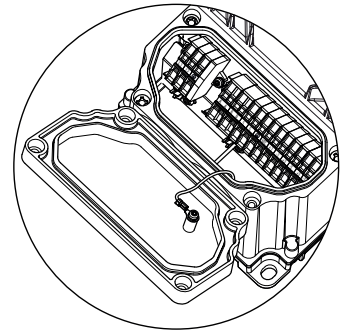
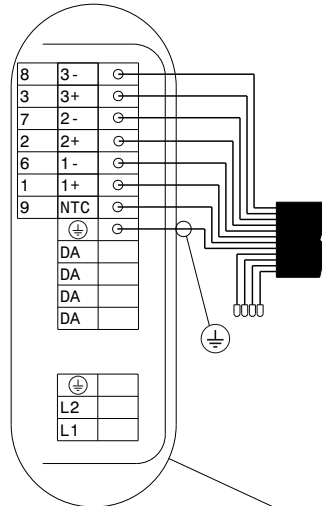
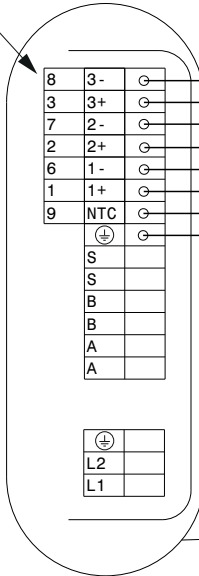




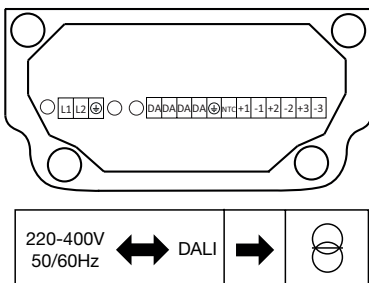


GWP30032 - DMX

GWP30031 - DALI

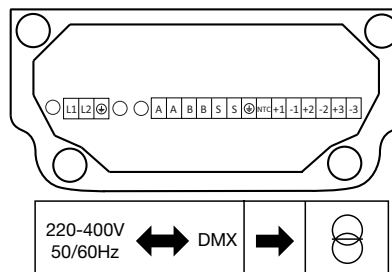


GWP30031 - DALI

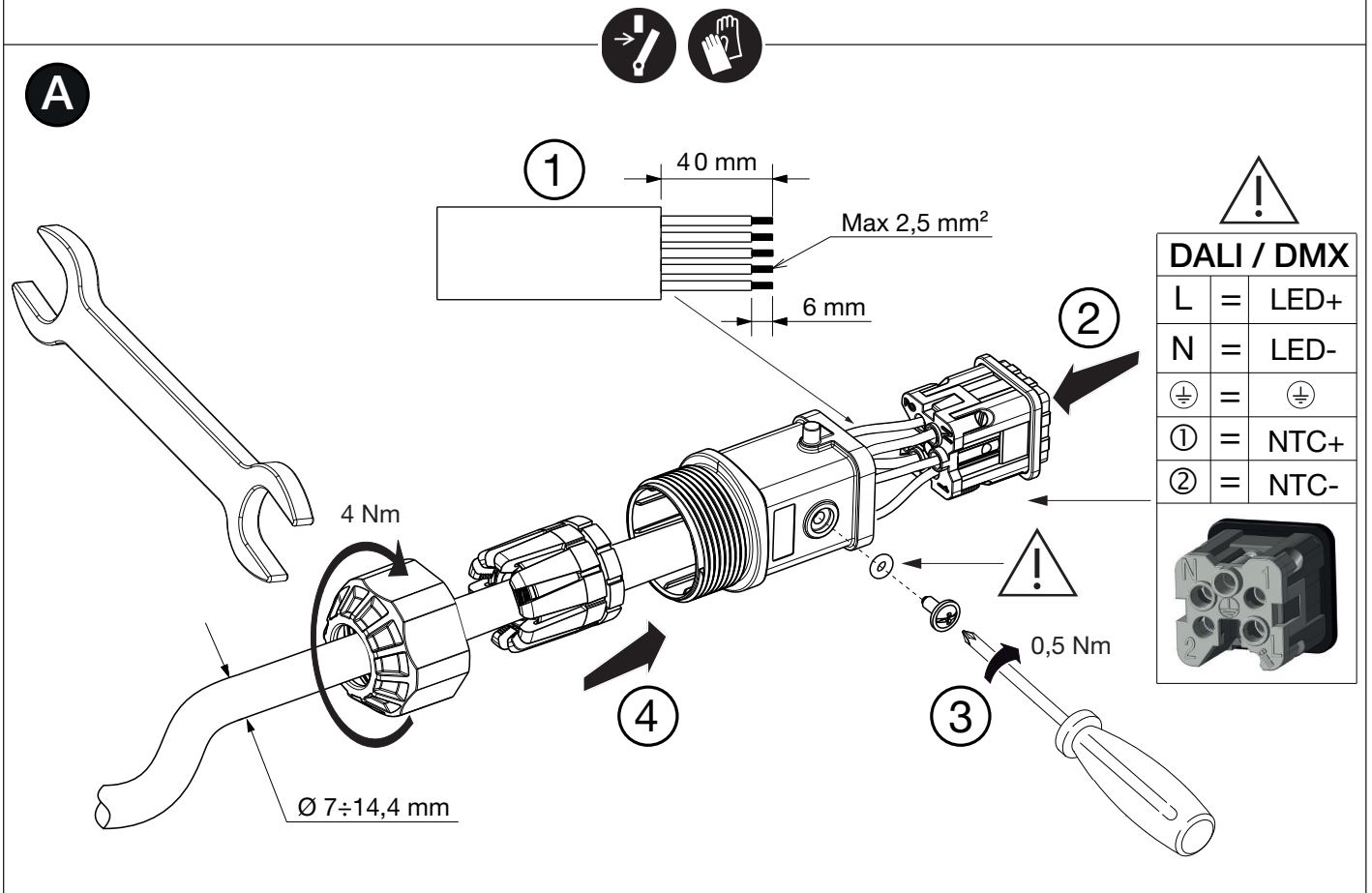
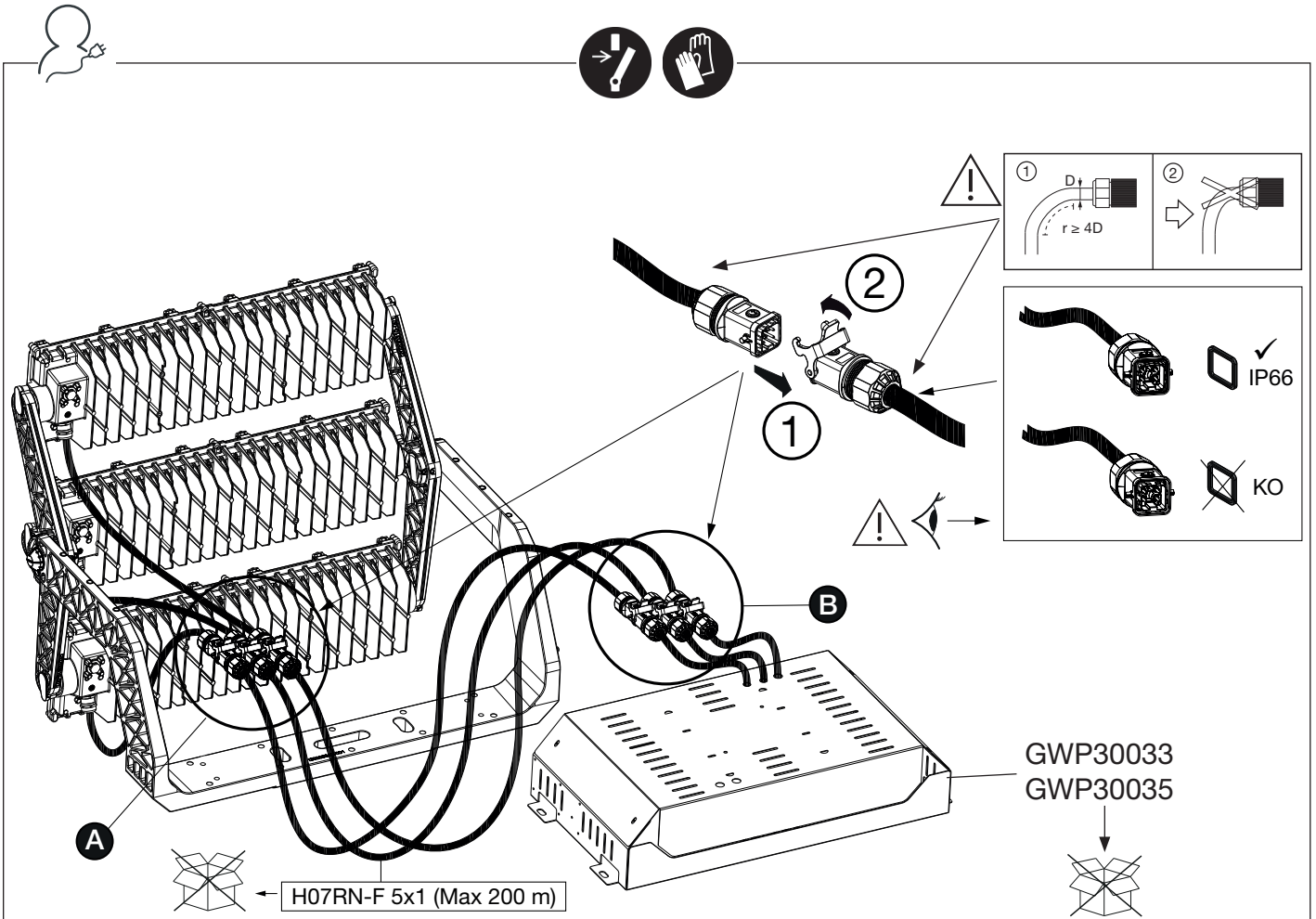


| PINOUT | | |
|--------|-------|----------|
| Number | Label | |
| 1 | L1 | AC L1 IN |
| 2 | L2 | AC L2 IN |
| 3 | ⊕ | PE |
| 4 | A | DALI 1 |
| 5 | DA | DALI 1 |
| 6 | DA | DALI 2 |
| 7 | DA | DALI 2 |
| 8 | ⊕ | PE |
| 9 | NTC | NTC |
| 10 | +1 | LED1+ |
| 11 | -1 | LED1- |
| 12 | +2 | LED2+ |
| 13 | -2 | LED2- |
| 14 | +3 | LED3+ |
| 15 | -3 | LED3- |

GWP30032 - DMX
DMX address default: 1

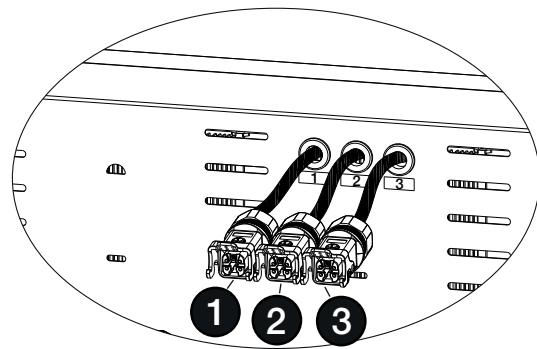
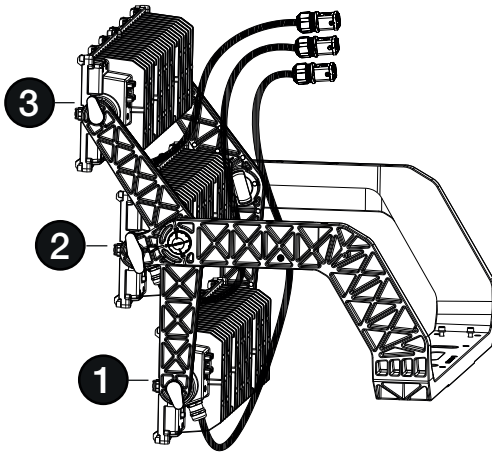
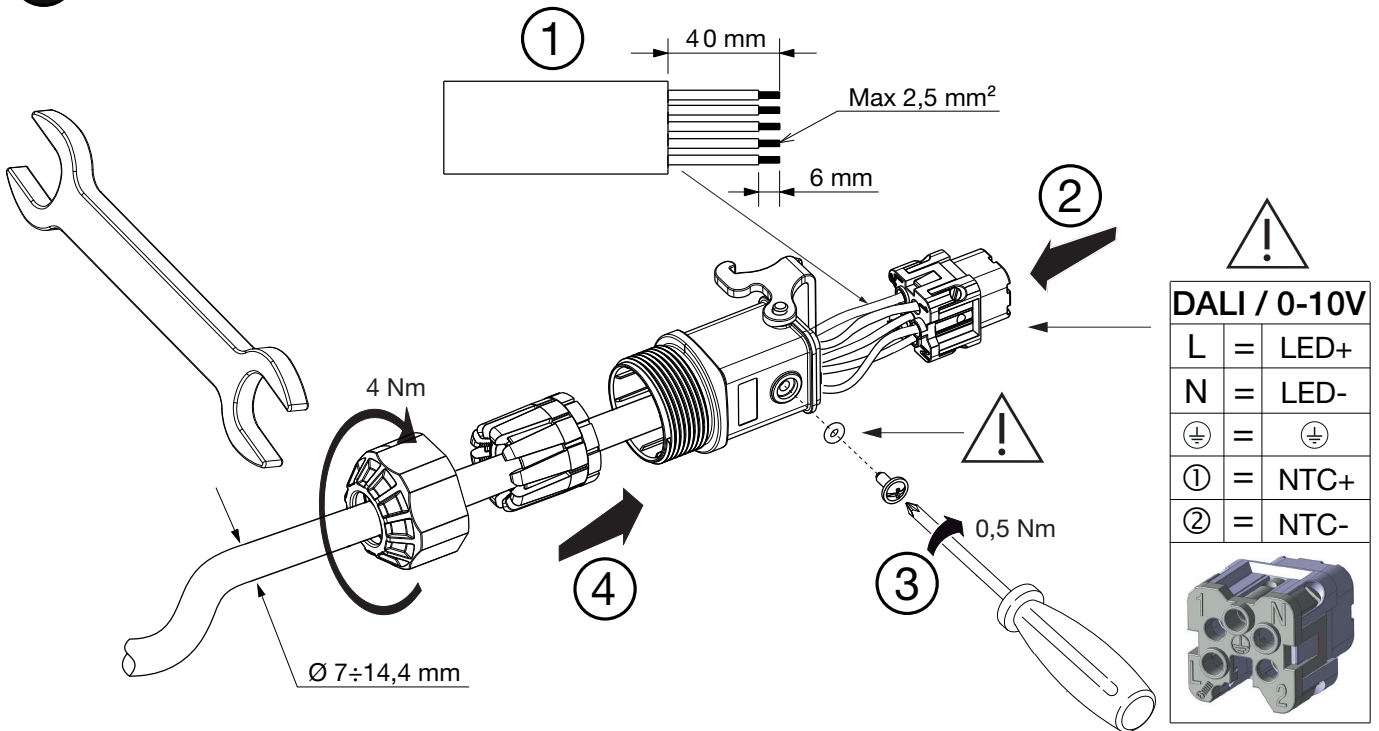


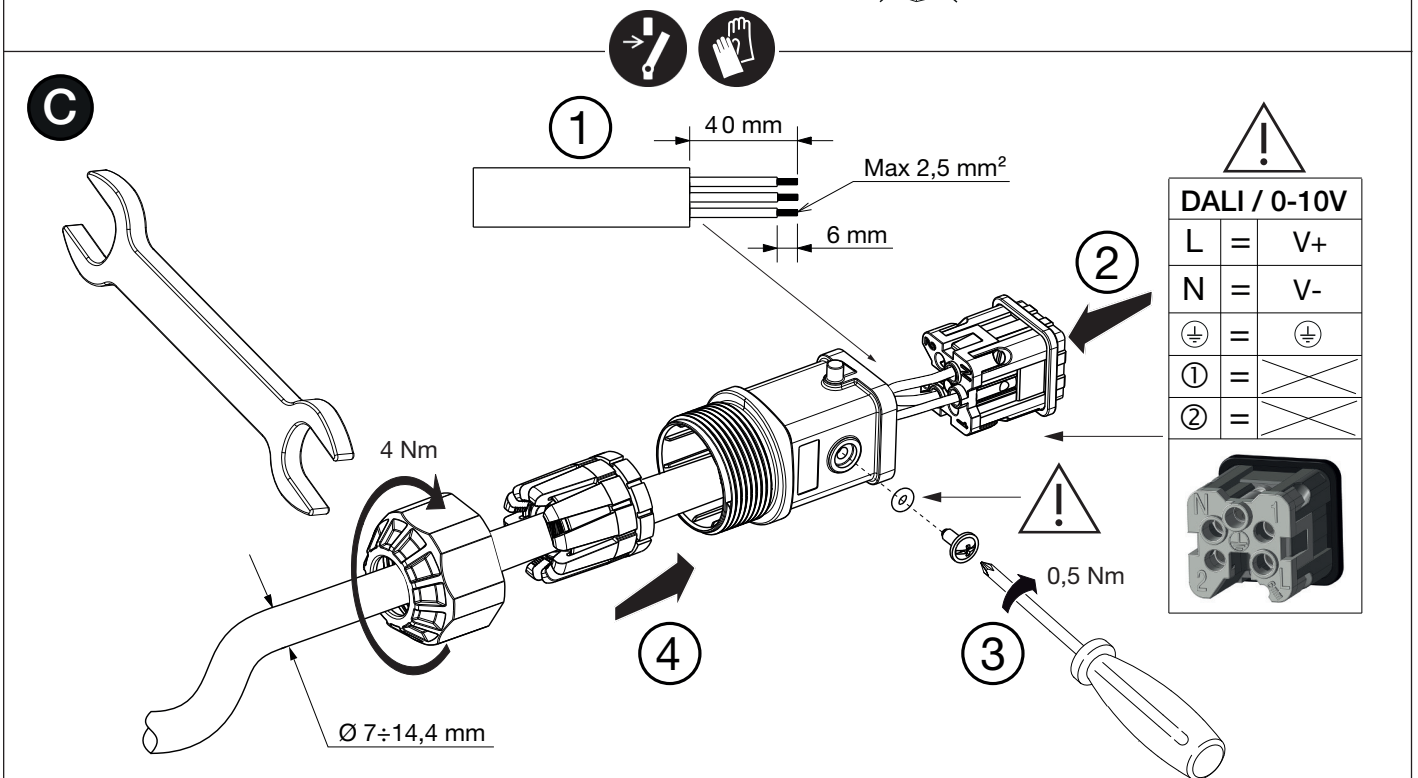
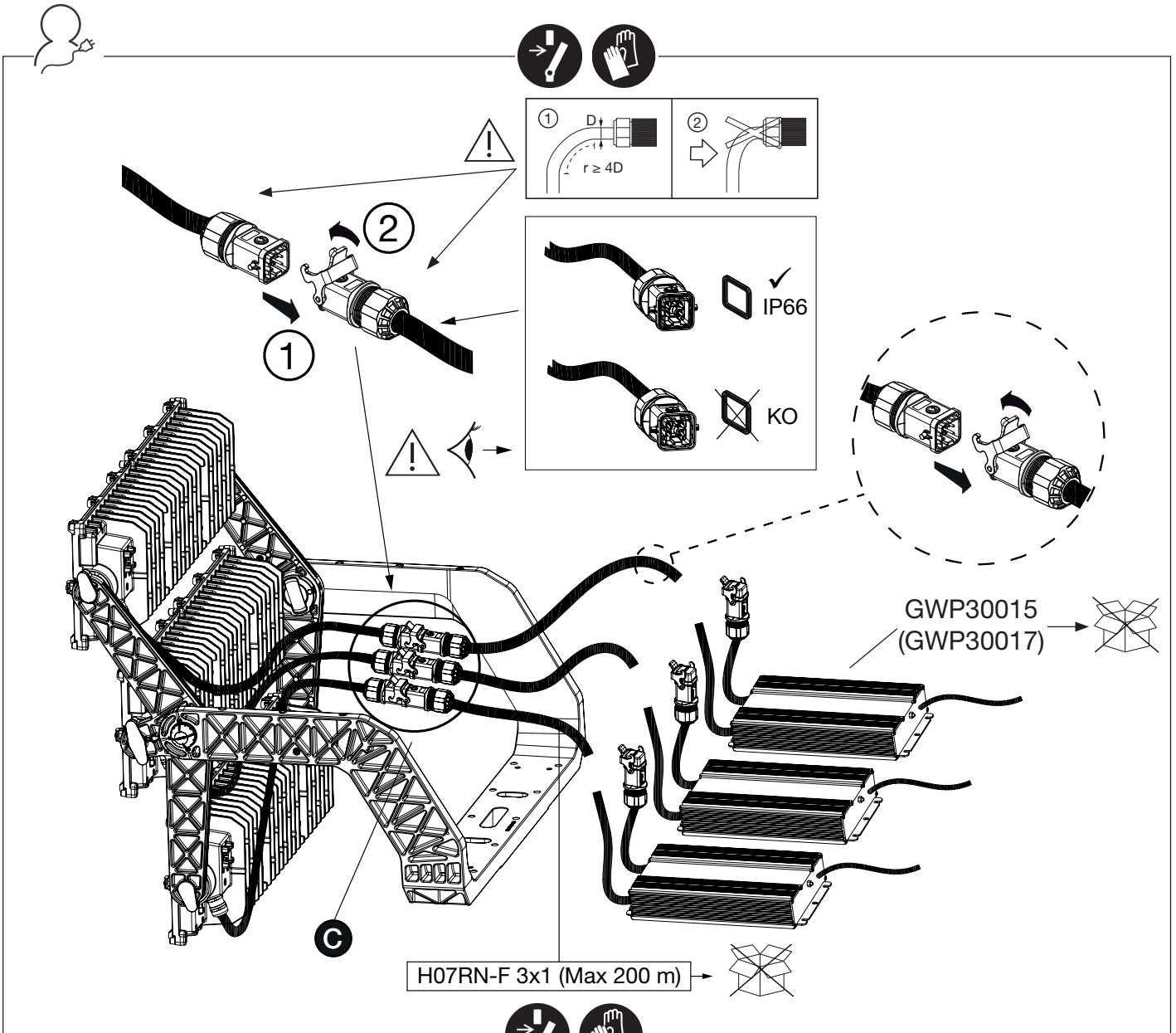
| PINOUT | | |
|--------|-------|----------------------|
| Number | Label | |
| 1 | L1 | AC L1 IN |
| 2 | L2 | AC L2 IN |
| 3 | ⊕ | PE |
| 4 | A | DMX A input/relaunch |
| 5 | A | DMX A input/relaunch |
| 6 | B | DMX B input/relaunch |
| 7 | B | DMX B input/relaunch |
| 8 | S | DMX shield |
| 9 | S | DMX shield |
| 10 | ⊕ | PE |
| 11 | NTC | NTC |
| 12 | +1 | LED1+ |
| 13 | -1 | LED1- |
| 14 | +2 | LED2+ |
| 15 | -2 | LED2- |
| 16 | +3 | LED3+ |
| 17 | -3 | LED3- |





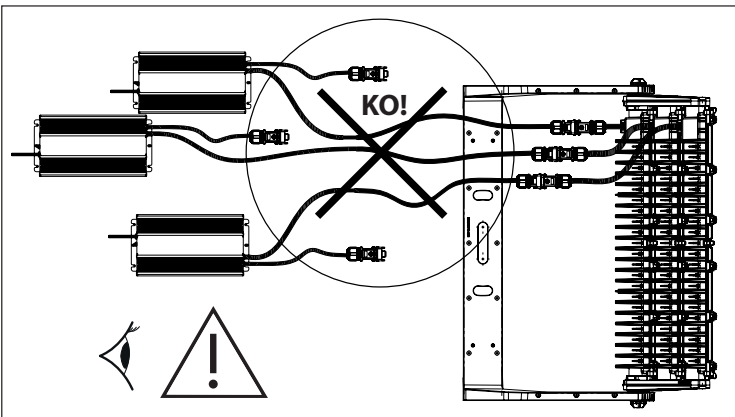
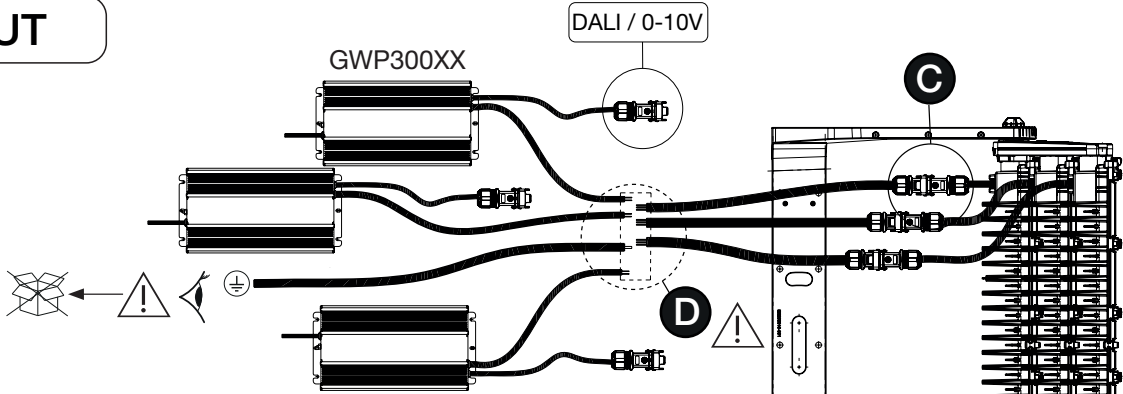
B







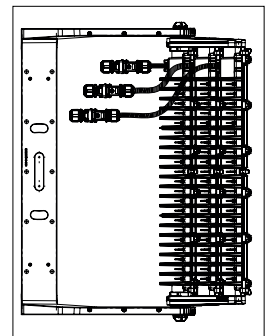
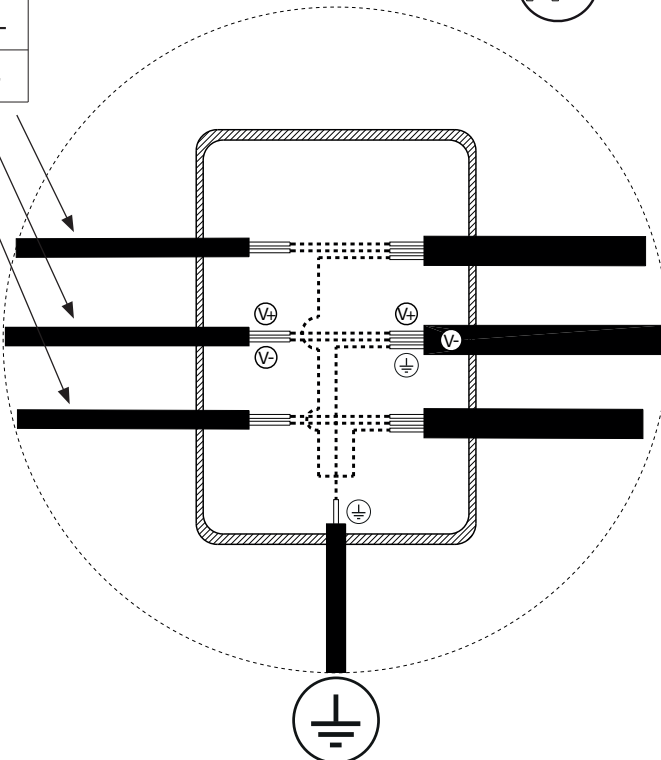
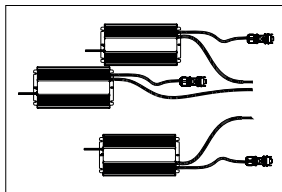
OUT

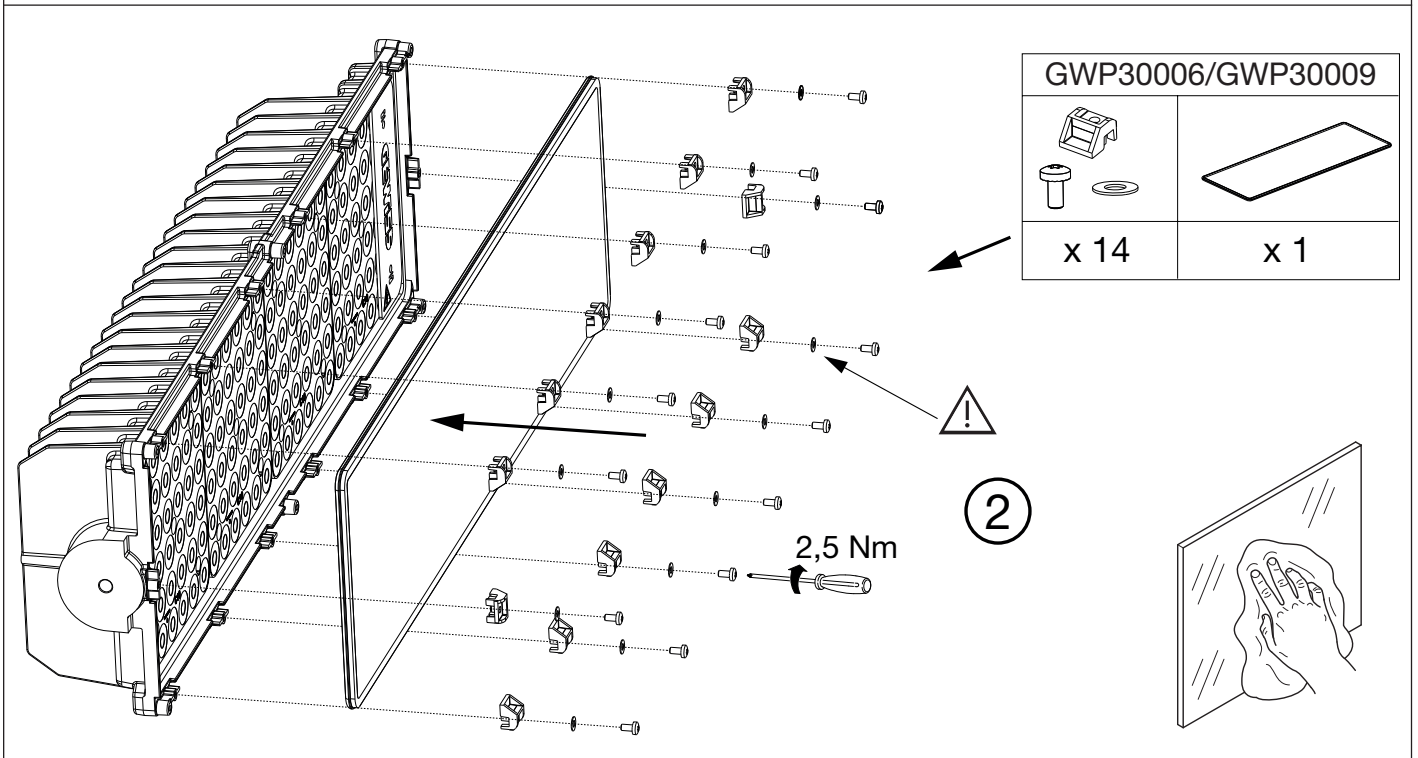
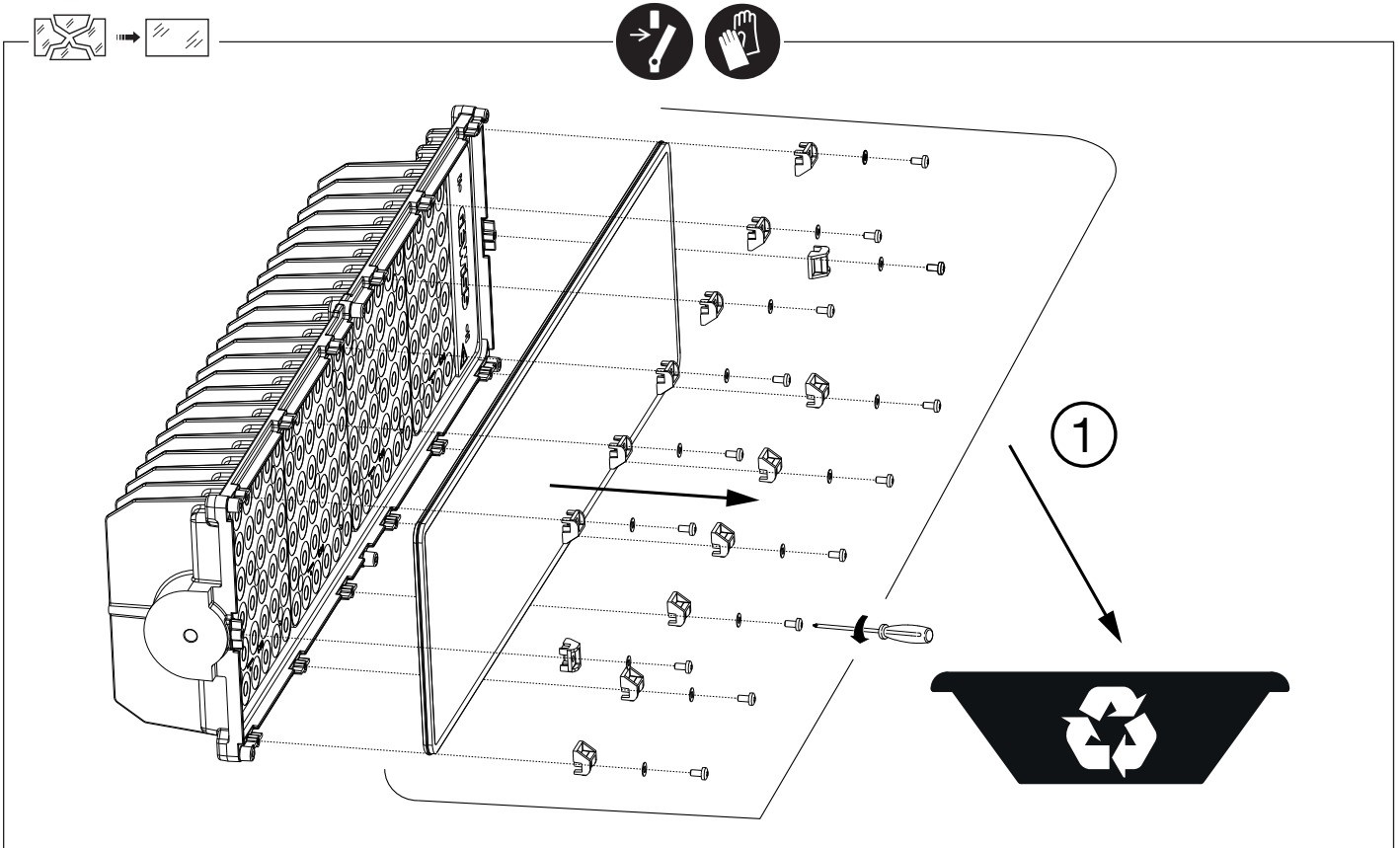


D



| | | |
|----------|---|----|
| GWP300XX | | |
| BRN | = | V+ |
| BLU | = | V- |

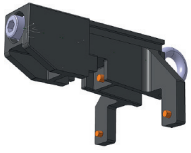




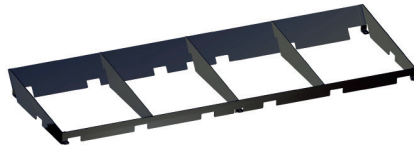
| | OPTICS | | | | | | | | |
|----------|--------|----|----|----|----|----|----|----|----|
| | S1 | A1 | A2 | C1 | C2 | C3 | C4 | C5 | C6 |
| GWP30006 | ✓ | | | ✓ | ✓ | ✓ | ✓ | ✓ | ✓ |
| GWP30009 | | ✓ | ✓ | | | | | | |



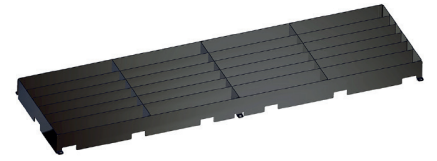
Standard Picatinny



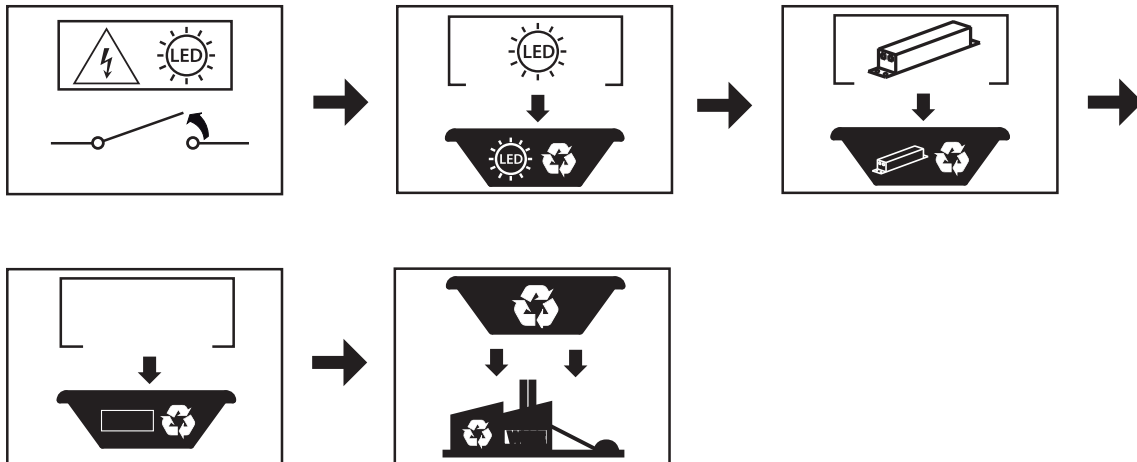
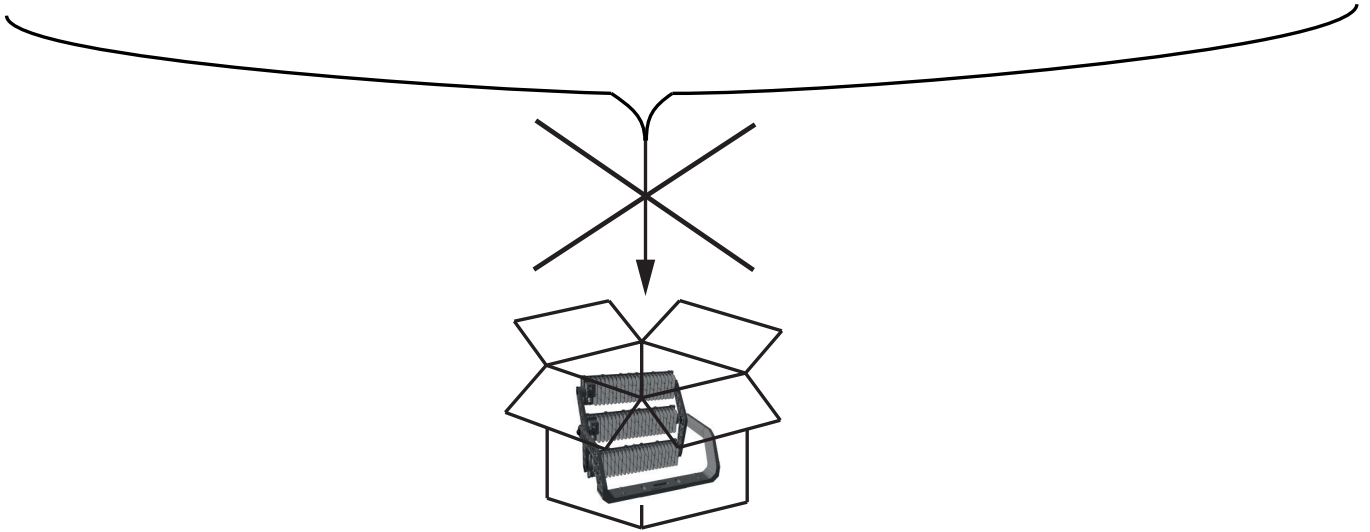
GWP30004



GWP30003



GWP30002



Punto di contatto indicato in adempimento ai fini delle direttive e regolamenti UE applicabili:

Contact details according to the relevant European Directives and Regulations:

GEWISS S.p.A. Via A.Volta, 1 IT-24069 Cenate Sotto (BG) Italy tel: +39 035 946 111 E-mail: qualitymarks@gewiss.com

According to applicable UK regulations, the company responsible for placing the goods in UK market is:

GEWISS UK LTD - Unity House, Compass Point Business Park, 9 Stocks Bridge Way, ST IVES
Cambridgeshire, PE27 5JL, United Kingdom tel: +44 1954 712757 E-mail: gewiss-uk@gewiss.com



+39 035 946 11

8:30 - 12:30 / 14:00 - 18:00
lunedì - venerdì / monday - friday



www.gewiss.com

