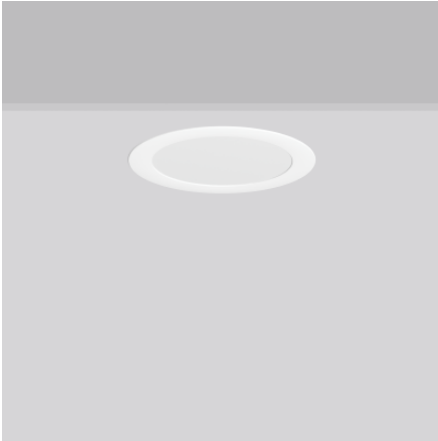


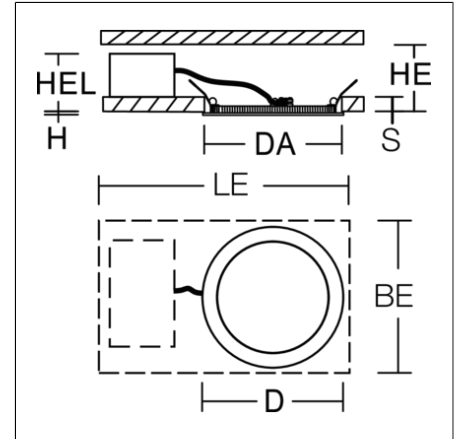
# TOLEDO FLAT round

## 901453.002.1.76 | Recessed downlights



Recessed downlights  
4051859065296  
D 255, H 3

Recessed ceiling mounting  
white



Ultra thin recessed downlight. Housing: die-cast aluminium. Light guide and diffuser made of non-yellowing PMMA, opal matt. Ceiling installation with spring system. Mounting depth depends on ceiling strength. Including separate LED converter with connecting cable 250 mm. Suitable for through-wiring with separately available accessories. Surface mounted housing as accessory for all sizes. Retrofittable decorative cylinders made of chintz fabric as accessory, optional with satin finish plastic diffuser. Through-wiring box (5 pole) available as accessory.

### Product specifications

|  |                                |
|--|--------------------------------|
| Diameter D                                   | 255 mm                         |
| Height H                                     | 3 mm                           |
| Cut-out diameter DA                          | 234 mm                         |
| Luminaire: recess height HEL                 | 31-51 mm                       |
| Ceiling thickness S                          | 1-20 mm                        |
| Installation space length LE                 | 420 mm                         |
| Installation space width BE                  | 360 mm                         |
| Installation space height HE                 | 31-56 mm                       |
| Weight                                       | 697 g                          |
| Light source                                 | LED                            |
| Colour temperature                           | 4000 K                         |
| Rated luminous flux                          | 1800 lm                        |
| System power                                 | 17 W                           |
| System efficiency                            | 106 lm/W                       |
| Glare evaluation UGR (4H 8H)                 | 26,8                           |
| Beam angle                                   | 109°                           |
| Rated life                                   | 50000 h (L80/B50)              |
| Colour rendering index (CRI)                 | 80                             |
| Colour tolerance                             | 4                              |
| Photobiological safety according to EN 62471 | Risk group 0                   |
| Driver                                       | Converter, dimmable            |
| Control                                      | DALI                           |
| Voltage                                      | 220 - 240 V / 0 Hz, 50 - 60 Hz |
| Luminaires on B10A fuse                      | 28                             |
| Luminaires on B16A fuse                      | 47                             |
| Luminaires on C10A fuse                      | 36                             |
| Luminaires on C16A fuse                      | 56                             |
| Inrush current / Inrush current duration     | 50 A / 10 µs                   |
| CIE Flux Code / CEN Flux Code                | 48 79 96 100 100               |
| Type of protection                           | IP 54 on room side<br>IP 20    |
| Protection class                             | II                             |
| Filament test                                | 650°C - 30 seconds             |
| Impact resistance                            | IK06                           |
| Ambient temperature                          | -20 °C ... + 35 °C             |
| Conformity mark                              | CE, EAC, UKCA                  |

# TOLEDO FLAT round

901453.002.1.76 | Recessed downlights

## Accessories



982074.002  
Surface mounted housing



982321.002  
Chintz decorative cylinder



982703.002  
Through-wiring box



983000.002  
Anti-Glow Module



982552.002  
refurbishment frames for recessed luminaires