


| | | |
|---------------------------|-----------------------------------|---|
| 5311 3500 | DATA SHEET |  |
| Valid from: 02.12.2021 | SKINTOP® COLD M / COLD-R M | |

The SKINTOP® COLD M / COLD-R M is a nickel-plated brass cable gland with metric connecting thread which combines high quality in regard to consistency and reliability. This non-halogen gland is especially designed for use in application areas with a very high demand on mechanical stability and cold resistance, for example the air conditioning technology (freezing plants, cold stores, etc.) and the Off-Shore-Area.



Components:

| | |
|---------------------------|----------------------|
| Gland body | Brass, nickel-plated |
| Cap nut | Brass, nickel-plated |
| Insert with lamellar cage | Special polyamide |
| Sealing ring | Silicone |
| O-ring | Silicone |

Technical features:

| | |
|----------------------|---|
| Connecting thread | M12x1.5 up to M63x1.5 in acc. to EN 60423 |
| Protection class | Sizes M12, M16, M20: IP68 – 10 bar, test acc. to EN 60529 Sizes M25 up to M63: IP68 – 5 bar, test acc. to EN 60529 Type 1, Type 2, Type 4X, Type 6 and Type 12 acc. to UL50E, CSA C22.2 No. 94.2-15 |
| Temperature range | -70° C up to + 100° C |
| Design | COLD M Standard COLD M-R with reducing sealing ring (for smaller cable diameters) |
| Corrosion protection | Salt spray test (168 H. / 35°C) acc. to DIN EN ISO 9227 |

Other characteristics:

- Maximum reliability
- Strain relief
- Large, variable clamping ranges
- High cold resistance
- Cold impact resistance
- Ozone resistance
- UV-resistance
- Oil-resistance
- Non-halogen

Approvals:

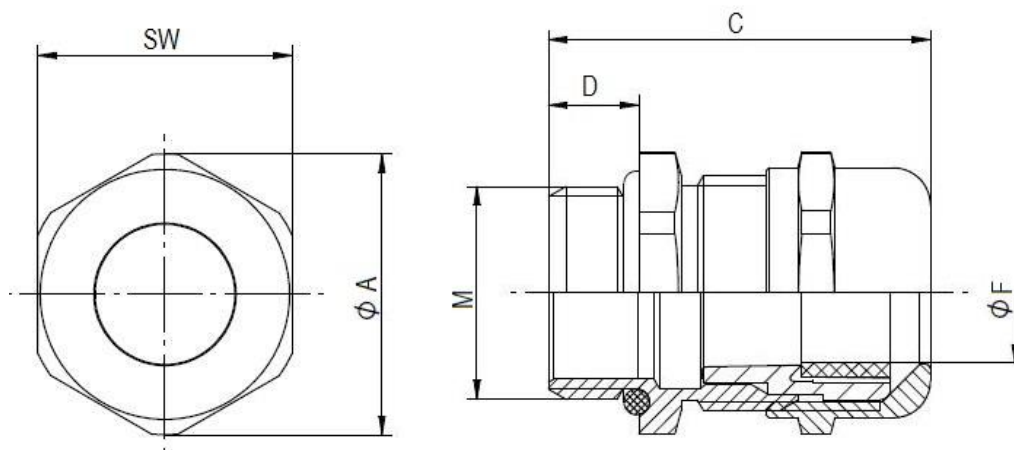


UL File Nr. 79903
(Test in acc. to UL514B)

Norm references:



| | | |
|---|---------------------------------------|-------------|
| Creator: VACH1/PDP Released: DAMU1/PDP | Document: DB53113500EN Version: 09 | Page 1 of 2 |
|---|---------------------------------------|-------------|



SKINTOP® COLD M

| M | SW [mm] | Ø A [mm] | C [mm] | D [mm] | Ø F [mm] Clamping range | O-ring [mm] | Article No. |
|---------|---------|----------|--------|--------|----------------------------|-------------|-------------|
| M12x1,5 | 16 | 17,6 | 26,5 | 6,5 | 3,5-7 | 9x2 | 53113500 |
| M16x1,5 | 20 | 22,0 | 33,0 | 7,0 | 4,5-10 | 13x2 | 53113510 |
| M20x1,5 | 24 | 26,4 | 37,0 | 8,0 | 7-13 | 17x2 | 53113520 |
| M25x1,5 | 29 | 31,9 | 38,5 | 8,0 | 9-17 | 22x2 | 53113530 |
| M32x1,5 | 36 | 39,6 | 45,5 | 9,0 | 11-21 | 28x2 | 53113540 |
| M40x1,5 | 45 | 49,5 | 48,0 | 9,0 | 19-28 | 36x2 | 53113550 |
| M50x1,5 | 54 | 59,0 | 55,5 | 10,0 | 27-35 | 46x2 | 53113560 |
| M63x1,5 | 67 | 73,5 | 67,0 | 15,0 | 34-45 | 57x2 | 53113570 |

SKINTOP® COLD-R M

| M | SW [mm] | Ø A [mm] | C [mm] | D [mm] | Ø F [mm] Clamping range | O-ring [mm] | Article No. |
|---------|---------|----------|--------|--------|----------------------------|-------------|-------------|
| M12x1,5 | 16 | 17,6 | 26,5 | 6,5 | 1-5 | 9x2 | 53113600 |
| M16x1,5 | 20 | 22,0 | 33,0 | 7,0 | 2-7 | 13x2 | 53113610 |
| M20x1,5 | 24 | 26,4 | 37,0 | 8,0 | 5-10 | 17x2 | 53113620 |
| M25x1,5 | 29 | 31,9 | 38,5 | 8,0 | 6-13 | 22x2 | 53113630 |
| M32x1,5 | 36 | 39,6 | 45,5 | 9,0 | 7-15 | 28x2 | 53113640 |
| M40x1,5 | 45 | 49,5 | 48,0 | 9,0 | 15-23 | 36x2 | 53113650 |
| M50x1,5 | 54 | 59,0 | 55,5 | 10,0 | 22-29 | 46x2 | 53113660 |
| M63x1,5 | 67 | 73,5 | 67,0 | 15,0 | 28-39 | 57x2 | 53113670 |

For more information please see our current catalogue. Please do not hesitate to contact our laboratory if there are any questions regarding resistance against aggressive agents and special oil.