

## EFK FL40 SKN (792 190)

- Earthing and short-circuiting devices can be configured online via the earthing and short-circuiting configurator



Figure without obligation

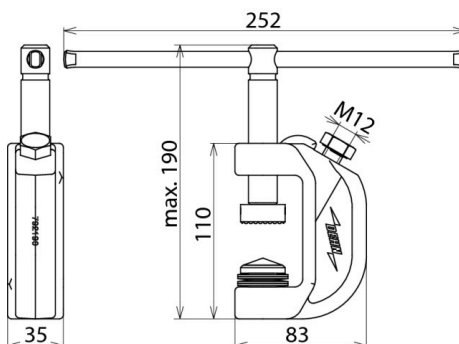


Figure without obligation

| Type  | EFK FL40 SKN                    |
|---|---------------------------------|
| Part No.  | 792 190                         |
| Clamping range                                  | up to 40 mm                     |
| Anti-rotation cable lug                         | PK1                             |
| For cable cross-section Cu                      | 16 ... 95 mm <sup>2</sup>       |
| Max. short-circuit current I <sub>k</sub> 0.5 s | 26.5 kA                         |
| Max. short-circuit current I <sub>k</sub> 1 s   | 18.7 kA                         |
| Standard  | EN/IEC 61230 (DIN VDE 0683-100) |
| Temperature range                               | -25 °C ... +55 °C               |
| Material (clamp body)                           | MCl/gal Zn                      |
| Material (shaft)                                | Brass/gal Zn                    |
| Material (milling plate)                        | Hardened/nikel-plated steel     |
| Material (spring)                               | Spring steel                    |
| Weight  | 1,22 kg                         |
| Customs tariff number                           | 85389099                        |
| GTIN  | 4013364068315                   |
| PU  | 1 Stk                           |

We reserve the right to introduce changes in performance, configuration and technology, dimensions, weights and materials in the course of technical progress. The figures are shown without obligation.

The clamps must have the same maximum short-circuit current as the earthing and short-circuiting cables!