

LIMEA MINI 2

SLI028038NW_PW

Hermetic luminaire LIMEA MINI 2, with a power of 45 W, high light efficacy 123 lm/W. It has a very high degree of protection IP65, providing protection against the ingress of dust and water jets. It shines with light of neutral - the most universal colour (4000K). Suitable for both surface and suspended mounting. The product is certified by the National Institute of Hygiene, so it can be used in rooms with high hygienic requirements.

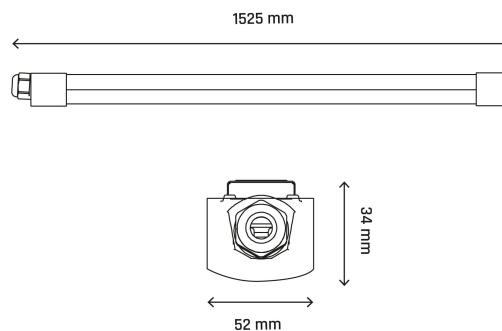
IP65



Power	45 W	Voltage	230 V
Luminous flux*	5500 lm (360°)	Colour temperature	4000 K
Colour of light	Neutral white	Beam angle	120 °
Degree of protection (IP)	IP65		


Technical data

Code	SLI028038NW_PW
Power	45 W
Nominal current	200 mA
Voltage	230 V
Energy consumption	45 kWh/1000h
Frequency	50HZ Hz
Protection class	II
Power factor	0.9
Useful luminous flux*	5500 lm (360°)
Luminous flux**	5400 lm (360°)
Lamp efficacy	123 lm/W
Colour temperature	4000 K
Colour of light	Neutral white
Beam angle	120 °
RA	80
Light source included	Yes
Uniformity of color SDCM max	5
Dimmable	No
Working temperature range	-20/+40 °
Lifespan	17000 h
Housing material	plastic
Degree of protection (IP)	IP65
Colour	White
Dimension (AxBxC)	1525x52x34 mm
For use	Inside/Outside
Assembly method	On the ceiling, Suspended
Application	Inside/Outside
Made in	PRC
Other	max 6szt w jednej linii ,




Related documents



 User manual



 Declaration of Conformity

