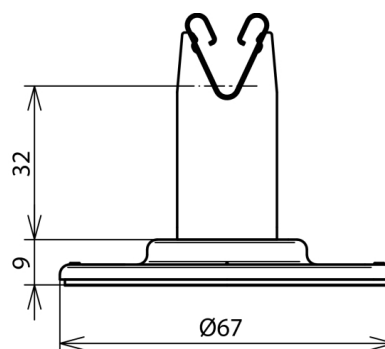


DLH DG 8 H32 KP67 V2A K GR (297 120)



Figure without obligation



Type	DLH DG 8 H32 KP67 V2A K GR
Part No.	297 120
Material of roof conductor holder	plastic
Colour of roof conductor holder	grey
Material of conductor holder	StSt
Conductor support Rd	8 mm
Type of conductor holder	DEHNgrip
Height of conductor holder	32 mm
Female thread	M6
Conductor routing	loose
Dimensions	Ø67 mm
Adherend	3000 mm ²
Tensile strength	1770 N
Transverse resistance (dynamic)	1440 N
Standard	EN 62561-4
Weight	40 g
Customs tariff number	85389099
GTIN	4013364100916
PU	50 Stk

We reserve the right to introduce changes in performance, configuration and technology, dimensions, weights and materials in the course of technical progress. The figures are shown without obligation.