


21700633	DATA SHEET	
Valid from: 17.09.2018	EPIC® DATA ED-IE-RJ45F-AC-DC	

Description

- Bulkhead protective cap for IP68*-housing 21700632
- For industrial Ethernet



General characteristics

Adaptable for	21700632
Ambient temperature	-40°C to +85°C (-40°F to 185°F)
Degree of protection	IP 68* (0.5h / 20 m)
Tightening torque	3.0 Nm (max.)

Additional note

* IP68 only in combination with 21700632

Mechanical properties

Bulkhead protective cap

protective cap, material

brass, Ni plated

O-ring

silicone red

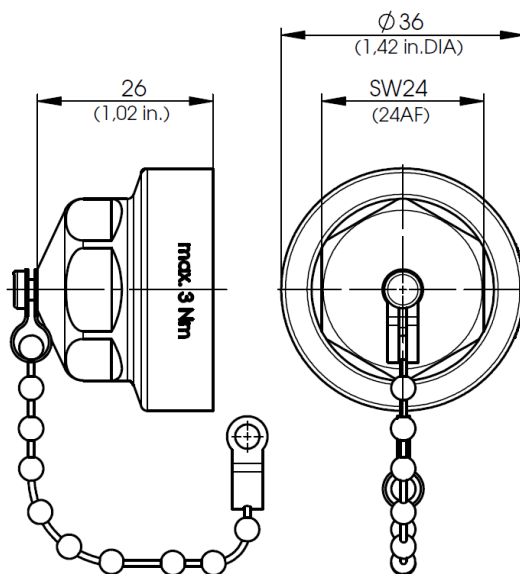
bead chain, material

brass, Ni plated


bead chain closer, material

brass, Ni plated

Technical drawing



Creator: FELI1/PDP Released: IVSE1/PDP	Document: DB21700633EN Version: 00	Page 1 of 2
---	---------------------------------------	-------------

21700633	DATA SHEET	
Valid from: 17.09.2018	EPIC® DATA ED-IE-RJ45F-AC-DC	

Standards / Approval

Degree of protection (IP code)

IEC 60529

Application range

Automation, industrial machinery and plant engineering

Note

Photographs are not true to scale and do not represent detailed images of the respective products.

Creator: FELI1/PDP Released: IVSE1/PDP	Document: DB21700633EN Version: 00	Page 2 of 2
---	---------------------------------------	-------------