

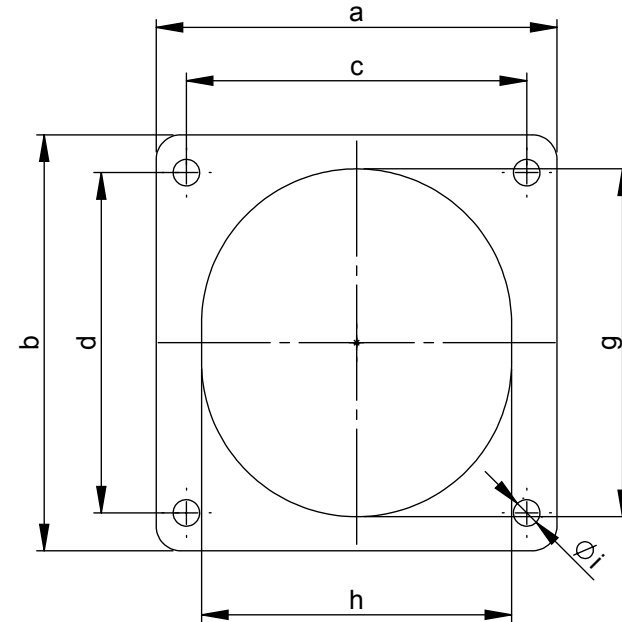
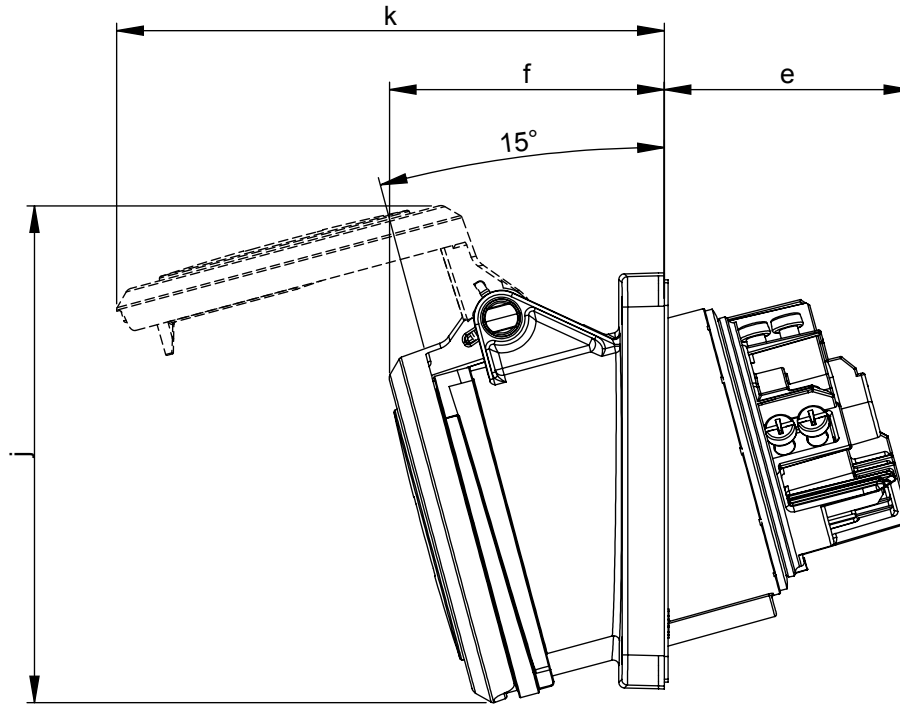
Maßskizze / dimensional drawing

Benennung: Anbausteckdose schräg 63A IP44 106x110 POWERWIST

description: Flanged socket sloping 63A IP44 106x110 POWERWIST

Teilenummer / part number: 4331-*fd, 4341-*fd, 4351-*fd

PCE



Ampere	63		
Pole	3	4	5
a [mm]	106	106	106
b [mm]	110	110	110
c [mm]	90	90	90
d [mm]	90	90	90
e [mm]	64	64	64
f [mm]	74	74	74
g [mm]	92	92	92
h [mm]	82	82	82
i [mm]	7	7	7
j [mm]	132	132	132
k [mm]	146	146	146