

# FERINA

WOJP00392



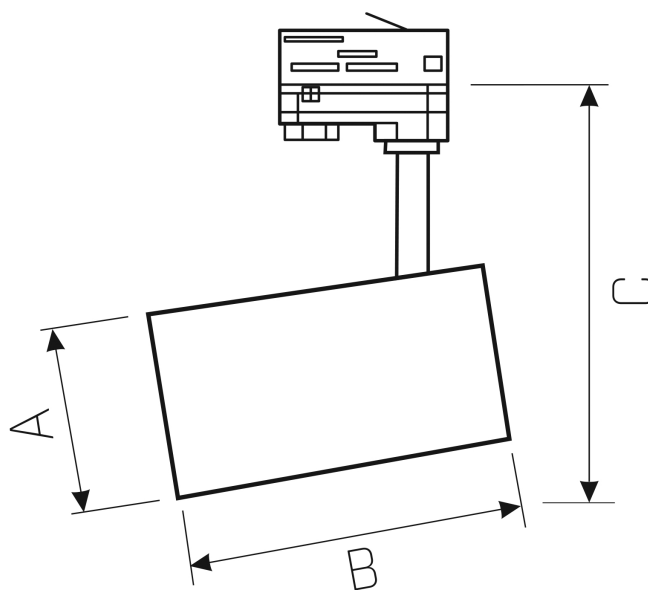
---

Power	<b>40 W</b>	Voltage	<b>230 V</b>
Colour temperature	<b>3000 K</b>	Colour of light	<b>WW</b>
Beam angle	<b>36 °</b>	Degree of protection (IP)	<b>IP20</b>

---


## Technical data

Code	WOJP00392
Power	40 W
Nominal current	191,3 mA
Voltage	230 V
Energy consumption	40 kWh/1000h
Frequency	50HZ Hz
Protection class	I
Power supply included	+
Manufacturer of power supply	TRIDONIC
Power factor	0.93
Luminous flux**	4400 lm (360°)
Lamp efficacy	110 lm/W
Colour temperature	3000 K
Colour of light	WW
Beam angle	36 °
RA	80
Light source included	+
Producer of LED diodes	CREE
Uniformity of color SDCM max	3
Dimmable	No
Working temperature range	-20/+40 °
Lifespan	50000 h
Housing material	Aluminum
Degree of protection (IP)	IP20
Colour	White
Dimension (AxBxC)	130x220x245 mm
For use	Inside
Assembly method	on track
Application	Inside
Made in	PL



## Related documents



 Declaration of Conformity