

10424500	DATA SHEET	
Valid from: 25.08.2021	EPIC® H-A 3 MAGSV	

Description

- Innovative metal housing
- For safe connections in the smallest possible space

General characteristics

Series	H-A 3
Version	Surface-mount base angled
Locking mechanism	Single lever
Cable entry	Lateral
Cable gland	See table
Clamping range	See table
Protection rating (DIN EN 60529)	IP 66 (latched)
Protection rating (NEMA 250, UL50E)	4, 12 (latched)
Temperature range	-40 °C to +100 °C, short-term up to +125 °C



Materials and surfaces

Housing, base material	Zinc die-casting
Housing, surface	Powder-coating, grey
Pressure screw	Brass, nickel-plated
Pressure washer	Steel, zinc-plated
Gland body	Brass, nickel-plated
Incised sealing ring	NBR (Pg 11), CR (M20)
Lever	Steel, zinc-plated
Gasket	NBR

Standards

Safety Standard	IEC 61984
-----------------	-----------


Approvals

cURus and VDE in preparation.

Versions

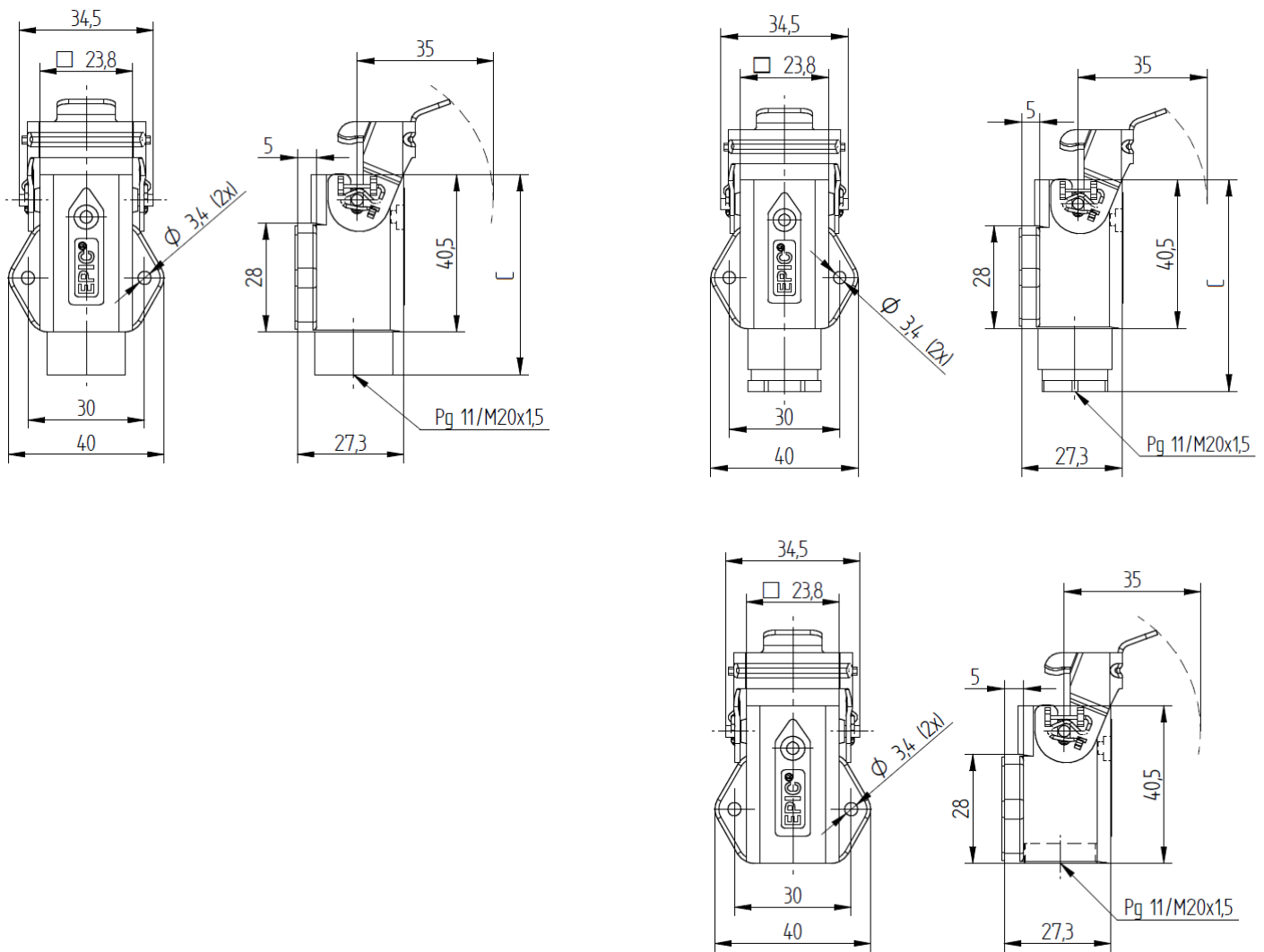
Article number	Article description	Thread	Cable gland	Clamping range	Dimension C
10512700	EPIC® H-A 3 MAGSV 11 ZW. SURFACE MOUNT BASE	Pg 11	No	-	51,5
10424500	EPIC® H-A 3 MAGSV 11 KPL. SURFACE MOUNT BASE	Pg 11	Yes	6,5 – 12 mm	58
10424515	EPIC® H-A 3 MAGSV 11 N.GEW./SO SURFACE MOUNT BASE	Pg 11	No	-	-
19512700	EPIC® H-A 3 MAGSV M20 ZW. SURFACE MOUNT BASE	M20	No	-	54,5


Creator: TODV1/PDP Released: IVSE1/PDP	Document: DB10424500EN Version: 02	Page 1 of 3
---	---------------------------------------	-------------

10424500	DATA SHEET	
Valid from: 25.08.2021	EPIC® H-A 3 MAGSV	

Article number	Article description	Thread	Cable gland	Clamping range	Dimension C
19512701	EPIC® H-A 3 MAGSV M20	M20	No	-	-
19424500	EPIC® H-A 3 MAGSV M20 KPL. SURFACE MOUNT BASE	M20	Yes	3 - 13,5 mm	61

Drawings



10424500	DATA SHEET	
Valid from: 25.08.2021	EPIC® H-A 3 MAGSV	



Industrial machinery and plant engineering



Mechanical resistance



Robust



Waterproof

Info

Compact, robust metal- and plastic housings size H-A 3

Application range

Machine and equipment manufacturing
Control engineering
Electronic laboratory

Remark

Photographs are not to scale and do not represent detailed images of the respective products.

Creator: TODV1/PDP Released: IVSE1/PDP	Document: DB10424500EN Version: 02	Page 3 of 3
---	---------------------------------------	-------------