

29450099	DATA SHEET
Valid from: 30.11.2018	POF ADAPTER F05 SIMPLEX /4PC

Description

- POF optical fibre coupling F05
- Compatible with connector acc. IEC 60874-17
- For polymer optical fibres



General characteristics

Coupling, type	TOCA150 (Simplex)
Suitable connector, type	JIS F05
Degree of protection	IP 20
Temperature range	-20 to +70 °C (-4 to +158 °F) (operation) -40 to +85 °C (-40 to +185 °F) (storage)

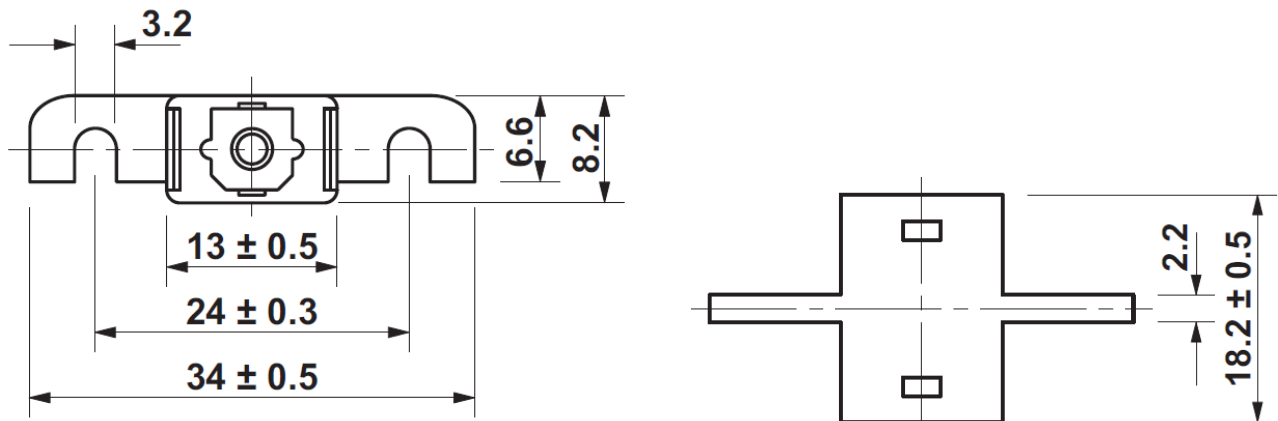
Variation

Article	Description	Package size [pcs]
29450099	POF Adapter F05 Simplex /4PC	4

Optical properties

Insertion loss (IL), typical	2.5 dB (1mm POF, polished fibre endface)
------------------------------	--

Technical drawing



Standards / Approvals

Fibre optic connector interfaces – Type F05	IEC 60874-17
---	--------------

Application range

Optical networks, industry electronics, power electronics, consumer electronics

Note

Photographs are not true to scale and do not represent detailed images of the respective products.