

Manual Call Point Red Wireless XPA-MC-14006-APO

Instruction Sheet
R10020GB0



Schneider Electric Fire & Security Oy

Sokerilinnantie 11 C
FI-02600 Espoo, Finland
Tel: +358 10 446 511
Website: www.schneider-electric.com
Document number: R10020GB0
Published: 08.03.2019

© 2018 – Schneider Electric. All Rights Reserved. This information is only to be used as guidance. Subject to changes and errors.

Contents

1	Manual Call Point Red Wireless XPA-MC-14006-APO overview.....	4
1.1	Brand Features	4
1.2	System Principle of XP Wireless Fire Detection products	5
1.3	Schematic Diagram & Wiring Connections	5
1.4	XP Products	6
1.5	Spare parts.....	6

1 Manual Call Point Red Wireless XPA-MC-14006-APO overview

The Manual Call Point is compliant with EN 54-11. It is wireless and is powered by two independent packs of three AA alkaline batteries with a typical five year life.

1.1 Brand Features

- modern styling
- loop-powered interface operating on 868MHz
- wireless addresses seen by control panel as normal addresses
- radio base with wireless circuitry and battery compartment
- chamber designed to inhibit dirt penetration and thus reduce false alarms
- automatic drift compensation with DirtAlert™ warning
- algorithms for transient alarm rejection
- FasTest™ reduces time taken to test detectors
- remote test facility
- 3-5 years battery life

If wiring is a challenge in the building then XP wireless products are your solutions.

XP is a system in which individual detectors and other wireless devices communicate with the FX ALC loop by radio signals. An interface is connected to the ALC loop in the same way as any addressable interface.

Every wireless XP device is assigned an address and this address is recognized by the Esmi Sense FDP and FX 3NET panel.

Note! When replacing batteries, allow the device to power down for a period of two minutes before installing replacements.

Note! When replacement batteries are required, all batteries must be replaced together.

Note! Disposing of batteries should be in accordance with European and/or local regulations.

1.2 System Principle of XP Wireless Fire Detection products

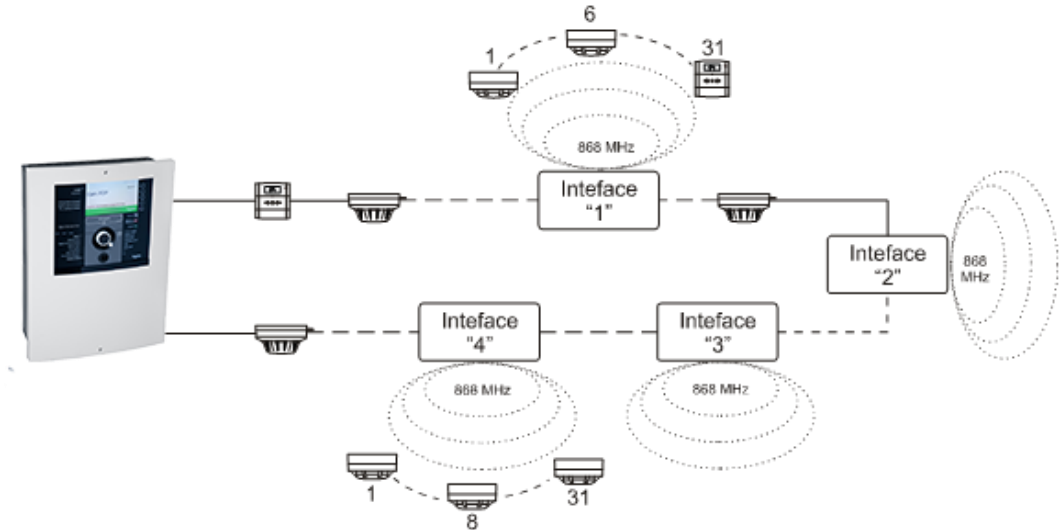


Figure 1 XP Wireless System Principle

Note! The maximum number of interfaces in a site is 5. If more than 5 interfaces are needed, please contact the supplier.

Note! The interface takes one address in the ALC loop.

Note! The maximum number of addressable radio devices per interface is 31.

Note! A good system planning is absolutely necessary to ensure a reliable wireless communication. The field strength must be checked with the survey tool.

1.3 Schematic Diagram & Wiring Connections

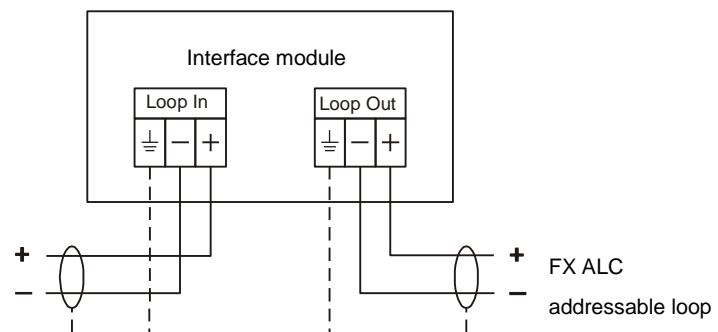


Figure 2 Schematic Diagram & Wiring Connections

1.4 XP Products

Product	Product Code
Manual Call Point Red Wireless XPA-MC-14006-APO	FFS0672 6006

Product	Product Code
Interface Module 15 device	FFS0672 6001
Interface Module 31 device	FFS0672 6023
I/O unit single input/output	FFS0672 6024
I/O unit dual input/output	FFS0672 6025
Optical Detector with Base	FFS0672 6002
A1R Heat Detector with Base	FFS0672 6004
CS Heat Detector with Base	FFS0672 6005
Sounder with Base, red	FFS0672 6007
Sounder Beacon with Base, red	FFS0672 6009
Survey Tool	FFS0672 6012

1.5 Spare parts

Product	Product Code
Mounting Base	FFS0672 6013
Optical Detector Head	FFS0672 6014
A1R Heat Detector Head	FFS0672 6016
CS Heat Detector Head	FFS0672 6017
Red XPert Card	FFS0672 6018
White XPert Card	FFS0672 6022
Sounder Base, red	FFS0672 6019
Sounder, red	FFS0672 6020
Sounder Beacon, red	FFS0672 6021
Other Products	
Vertically mounted aerial	FFS0672 6025
Directional yagi aerial	FFS0672 6027