

# WOJP04034

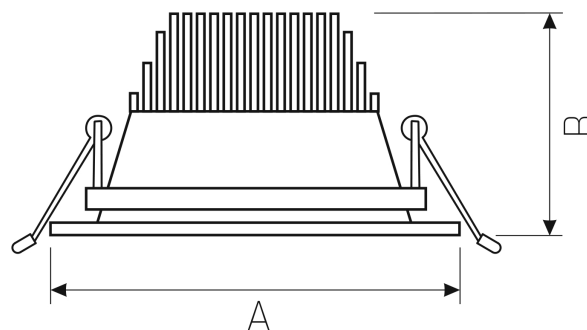
WOJP04034



Power	<b>27 W</b>	Voltage	<b>230 V</b>
Colour temperature	<b>4000 K</b>	Colour of light	<b>Neutral white</b>
Beam angle	<b>60 °</b>	Degree of protection (IP)	<b>IP20</b>


## Technical data

Code	WQJP04034
Power	27 W
Nominal current	129.1 mA
Voltage	230 V
Energy consumption	27 kWh/1000h
Frequency	50HZ Hz
Protection class	II
Power supply included	+
Manufacturer of power supply	OSRAM
Power factor	0.93
Useful luminous flux*	3780 lm (360°)
Luminous flux**	2970 lm (360°)
Lamp efficacy	140 lm/W
Colour temperature	4000 K
Colour of light	Neutral white
Beam angle	60 °
RA	80
Light source included	+
Producer of LED diodes	CREE
Uniformity of color SDCM max	3
Dimmable	DALI
Working temperature range	-20/+40 °
Lifespan	50000 h
Housing material	Aluminum
Degree of protection (IP)	IP20
Colour	Black
Dimension (AxBxC)	193x130 mm
Mounting hole	Ø160 mm
For use	Inside
Assembly method	Recessed
Application	Inside
Made in	PL



## Related documents



 Photometric file