

**LH DG 8 H20 IGM6 CU (207 017)**

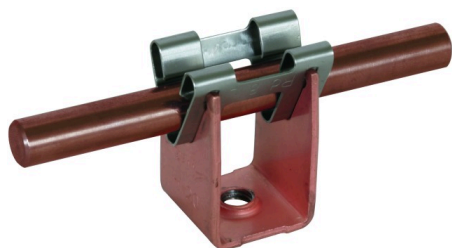
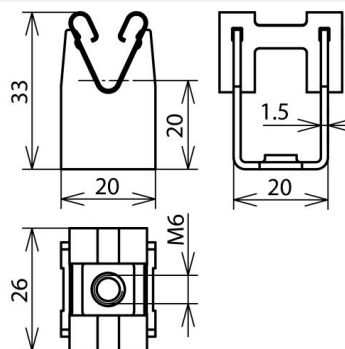


Figure without obligation



Type	LH DG 8 H20 IGM6 CU
Part No.	207 017
Height of conductor holder	20 mm
Thread of conductor holder	M6
Material of conductor holder	Cu
Conductor support Rd	8 mm
Conductor routing	loose
Standard	EN 62561-4
Weight	16 g
Customs tariff number	85389099
GTIN	4013364054905
PU	50 Stk

We reserve the right to introduce changes in performance, configuration and technology, dimensions, weights and materials in the course of technical progress. The figures are shown without obligation.