

52024934	<b>DATA SHEET</b>	
Valid from: 03.07.2018	<b>SKINDICHT® SHV-FKM</b>	

The SKINDICHT® SHV-FKM cable gland is a water-proof cable gland. The special conical sealing element of VITON® extends through the entire gland and thus guarantees excellent resistance to pressure and strain relief. The VITON® sealing cone is of outstanding resistance to oils and biological oils, solvents and chemicals at high temperatures.



**Components:**

Gland body	Brass, nickel-plated
Pressure screw	Brass, nickel-plated
Sealing cone	FKM
Pressure cone	Brass, nickel-plated
Pressure washer	Steel, zinc-plated
O-ring	FKM

**Technical features:**

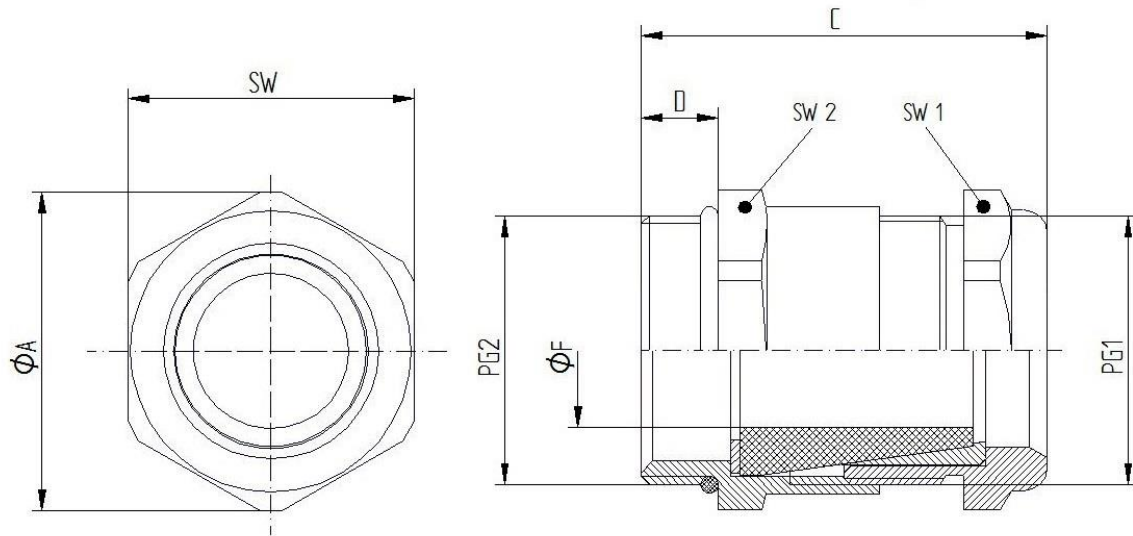
Connecting thread	PG7 up to PG29 acc. to DIN 40430
Protection class	IP68 - 10 bar, test acc. to EN 60529
Temperature range	-20°C up to +200°C

**Norm references:**



Creator: M. Wegerer /PDP Released: DAMU1/PDP	Document: DB52024934EN Version: 04	Page 1 of 2
---	---------------------------------------	-------------

52024934	<b>DATA SHEET</b>	
Valid from: 03.07.2018	<b>SKINDICHT® SHV-FKM</b>	



PG1	PG2	SW1 [mm]	SW2 [mm]	Ø A [mm] max.	C [mm]		D [mm]	Ø F [mm]	Clamping range [mm]	Article No.
					min.	max.				
PG7	PG7	14	14	15,5	22	26	5	5	3,8 - 4,8	52024934
PG9	PG9	17	17	18,9	23,5	28,5	6	6	4,8 - 5,8	54000015
PG9	PG9	17	17	18,9	23,5	28,5	6	7	5,8 - 6,8	52024935
PG11	PG11	20	20	22,2	26	31	6	7	5,8 - 6,8	52024936
PG11	PG11	20	20	22,2	26	31	6	9	6,8 - 8,8	52024937
PG13,5	PG9	22	17	24,4	27,5	33	6,5	11	8,5 - 10,8	52024970
PG13,5	PG11	22	20	24,4	27,5	33	6,5	9	6,8 - 8,8	52024968
PG13,5	PG11	22	20	24,4	27,5	33	6,5	11	8,5 - 10,8	52024969
PG13,5	PG13,5	22	22	24,4	27,5	33	6,5	9	6,8 - 8,8	52024961
PG13,5	PG13,5	22	22	24,4	27,5	33	6,5	11	8,5 - 10,8	52024962
PG16	PG11	24	20	26,7	29,5	35	6,5	13	10,8 - 12,8	52024971
PG16	PG13,5	24	22	26,7	29,5	35	6,5	13	10,8 - 12,8	52024973
PG16	PG16	24	24	26,7	29,5	35	6,5	13	10,8 - 12,8	52024964
PG16	PG16	24	24	26,7	29,5	35	6,5	15	13,8 - 14,8	52024965
PG21	PG21	30	30	33,5	31,5	38	7	18	15,8 - 17,8	52024966
PG21	PG21	30	30	33,5	31,5	38	7	20	17,5 - 19,8	52024967
PG29	PG29	40	40	43,5	37,5	44,5	8	22	19,5 - 21,8	52024974

For more information please see our current catalogue. Please do not hesitate to contact our laboratory if there are any questions regarding resistance against aggressive agents and special oil.

Creator: M. Wegerer /PDP Released: DAMU1/PDP	Document: DB52024934EN Version: 04	Page 2 of 2
---	---------------------------------------	-------------